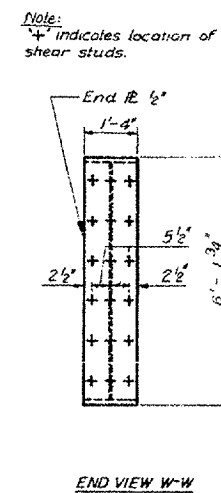
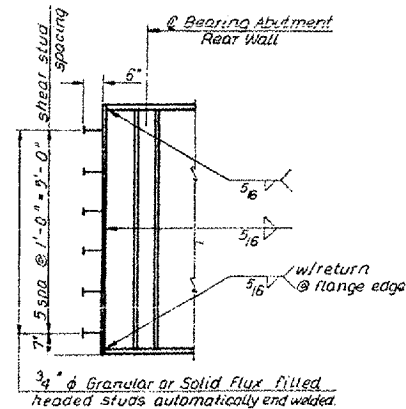
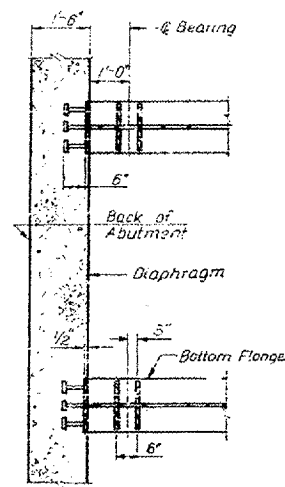
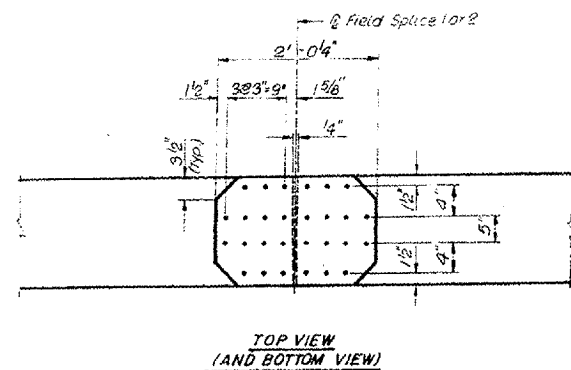


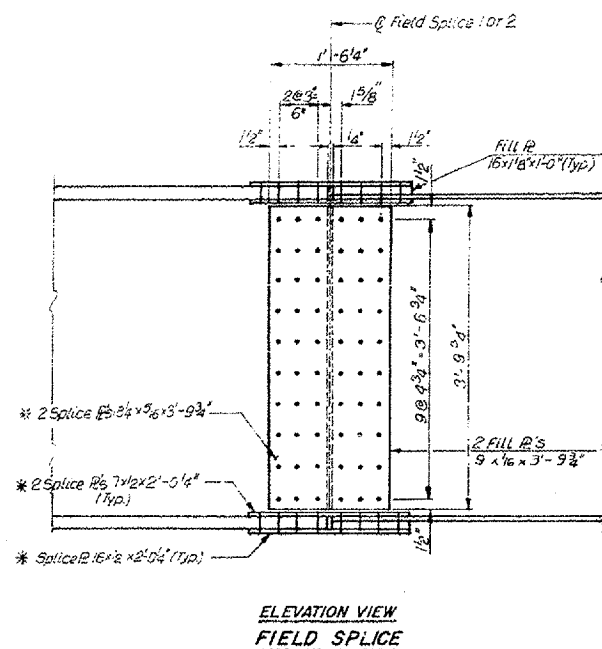
F.A.I. RTE.	SECTION	COUNTY	TOTAL SHEETS	SHEET NO.
412	501HB-2,1HB1P	LASALLE	17	16
ILLINOIS				

STATE OF ILLINOIS  
DEPARTMENT OF TRANSPORTATION

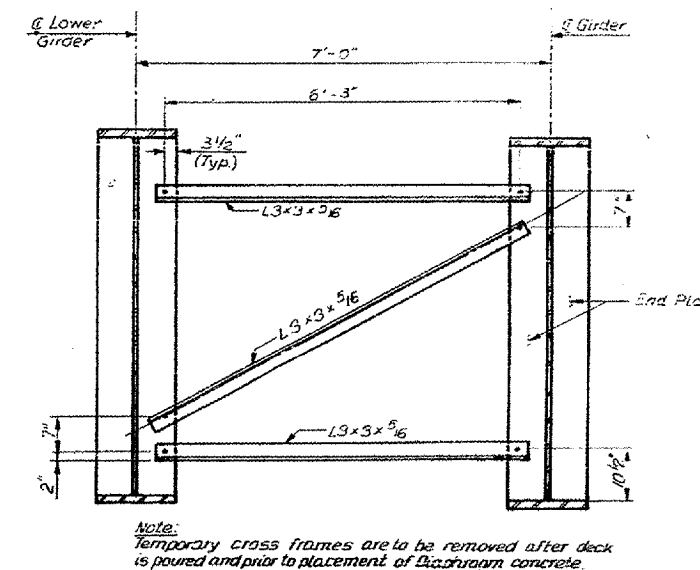
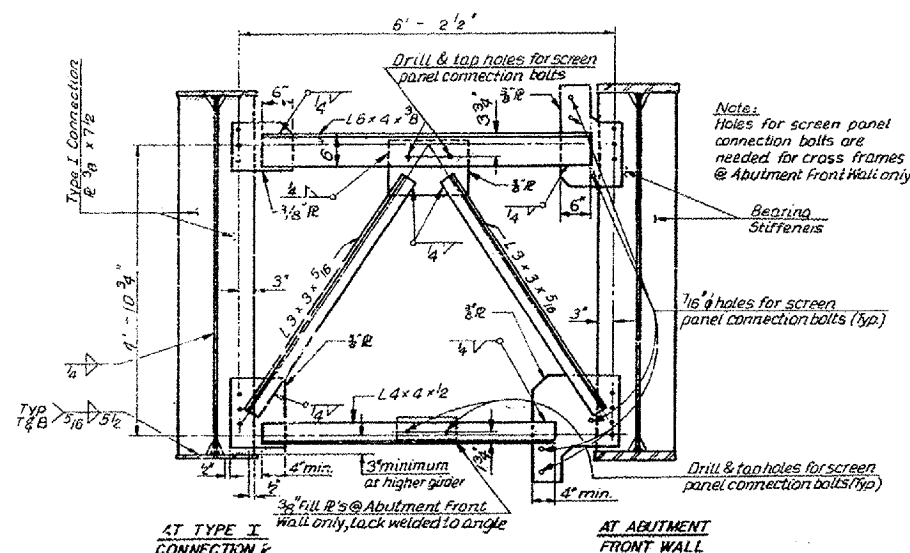


Note:  
+ indicates location of shear studs.

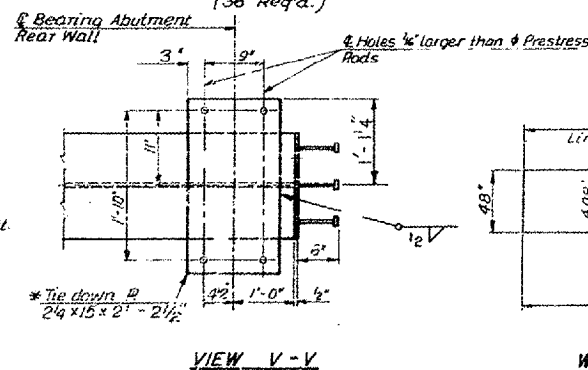
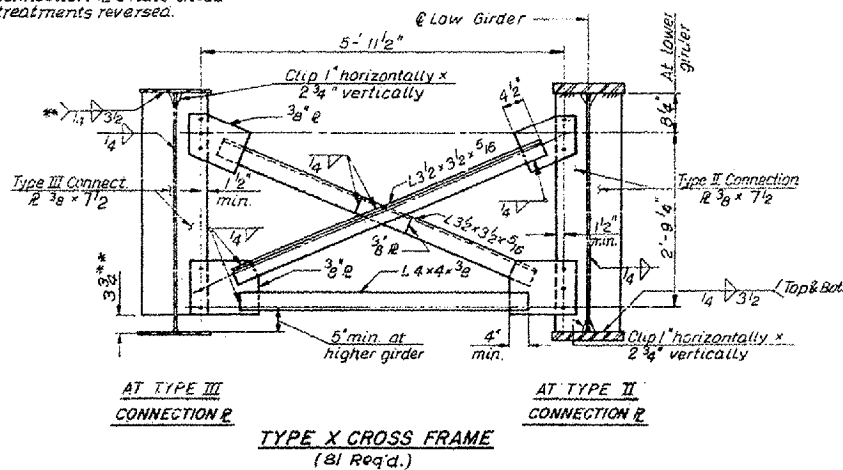
GIRDER END DETAILS



Note:  
\* Type III B connection @'s have gap @ bottom and tight fit with weld @ top. Type III T connection @'s have these treatments reversed.



Note:  
Temporary cross frames are to be removed after deck is poured and prior to placement of Diaphragm concrete.



Notes:  
For location of Section X-X, see Dwg. No. I7  
For location of End View W-W, see Dwg. No. I9  
End welded studs shall conform to article 710.38 of the Standard Specifications  
For location of View V-V, see Dwg. No. I9 & I16  
Connections of cross frames to connection @'s and bearing stiffeners shall be made with 3/4" bolts, 15/16" over sized holes & hardened washers  
\* indicates A223, Gr-50 Steel.

REVISIONS	
NAME	DATE

ILLINOIS DEPARTMENT OF TRANSPORTATION  
**EXISTING STRUCTURE PLANS  
FOR INFORMATION ONLY**  
BRIDGE LOCATION 2  
S.N. 050-0215

SCALE: VERT. \_\_\_\_\_  
HORIZ. \_\_\_\_\_  
DATE: 04/18/05

DRAWN BY: RW  
CHECKED BY: \_\_\_\_\_