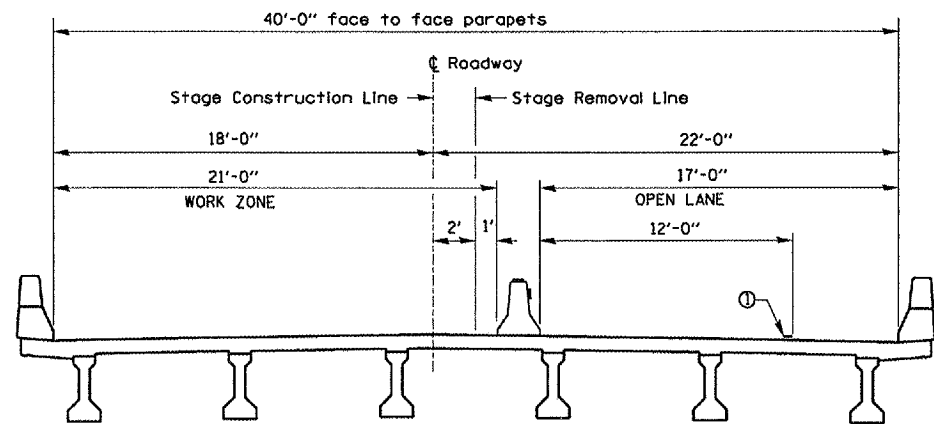
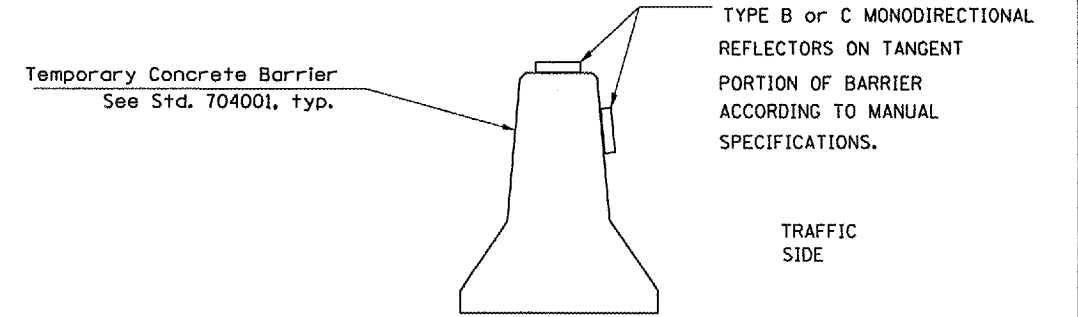
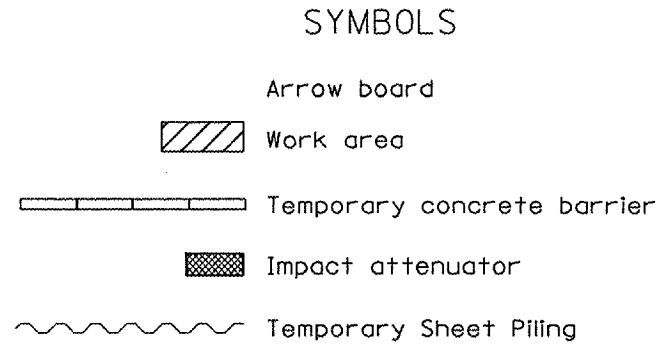


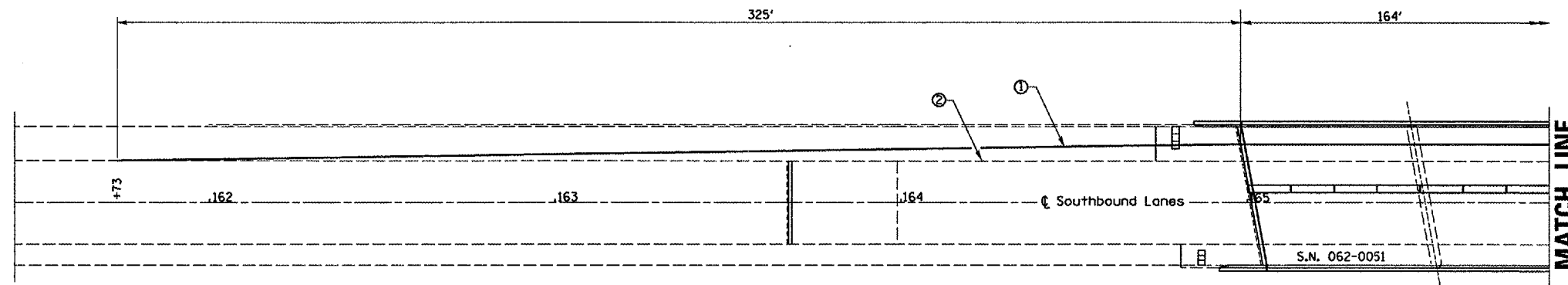
F.A.I. RTE.	SECTION	COUNTY	TOTAL SHEETS	SHEET NO.
412	(62-2VB)I	MARSHALL	19	17
FED. ROAD DIST. NO. - ILLINOIS		PROJECT		



CROSS SECTION
(LOOKING SOUTH)



TEMPORARY CONCRETE BARRIER



PLAN VIEW

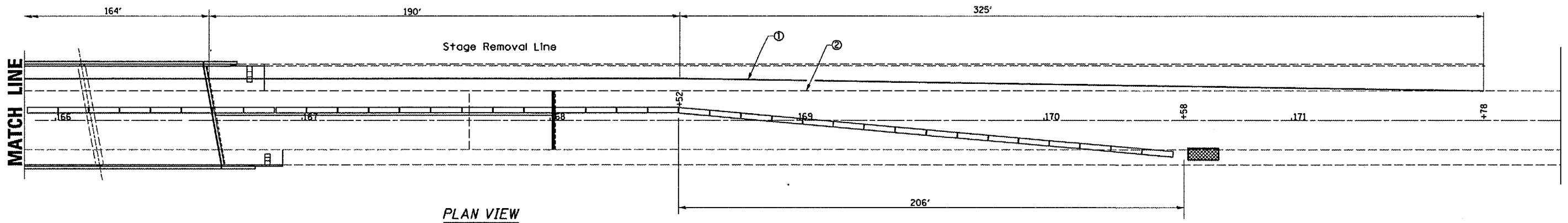
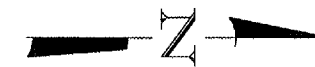
GENERAL NOTES

This Detail is used where at any time any vehicle, equipment, workers or their activities will encroach on the lane adjacent to the shoulder, or on the shoulder within 24" of the edge of pavement.

This Detail must always be used in combination with Standard 701402 (Special)

① Reflectorized temporary pavement marking tape shall be placed throughout the work area as shown. The edge line shall be white for right lane closure and yellow for left lane closures.

② Pavement Marking Removal



PLAN VIEW

WORK THIS DETAIL WITH TRAFFIC CONTROL AND PROTECTION STANDARD 701402 (SPECIAL)

REVISIONS	
NAME	DATE

ILLINOIS DEPARTMENT OF TRANSPORTATION
STAGING AND TRAFFIC CONTROL DETAILS
STAGE I
 FAI 412 (I-39)
 SECTION (62-2VB)I
 STA. 165+90.23
 MARSHALL COUNTY
 SCALE: VERT. _____
 HORIZ. _____
 DATE 04/26/2005
 DRAWN BY RLW
 CHECKED BY _____

Date: 04/26/2005
 File: c:/projects/cmain06/cm308/details.dgn