

F.A.L. RTE.	SECTION	COUNTY	TOTAL SHEETS	SHEET NO.
412	(62-2VB)I-1	MARSHALL	19	10
FED. ROAD DIST. NO. - ILLINOIS		PROJECT		

GENERAL NOTES

Plan dimensions and details relative to existing structure have been taken from existing plans and are subject to nominal construction variations. It shall be the Contractor's responsibility to verify such dimensions and details in the field and make necessary approved adjustments prior to construction or ordering of materials. Such variations shall not be cause for additional compensation for a change in the scope of the work, however, the Contractor will be paid for the quantity actually furnished at the unit price bid for the work.

The roadway expansion plates shall be flame cut as provided in Article 505.04(k) of the Standard Specifications.

Roadway expansion guards shall be assembled in the proper position with the ends in place and shall be left assembled for shop inspection.

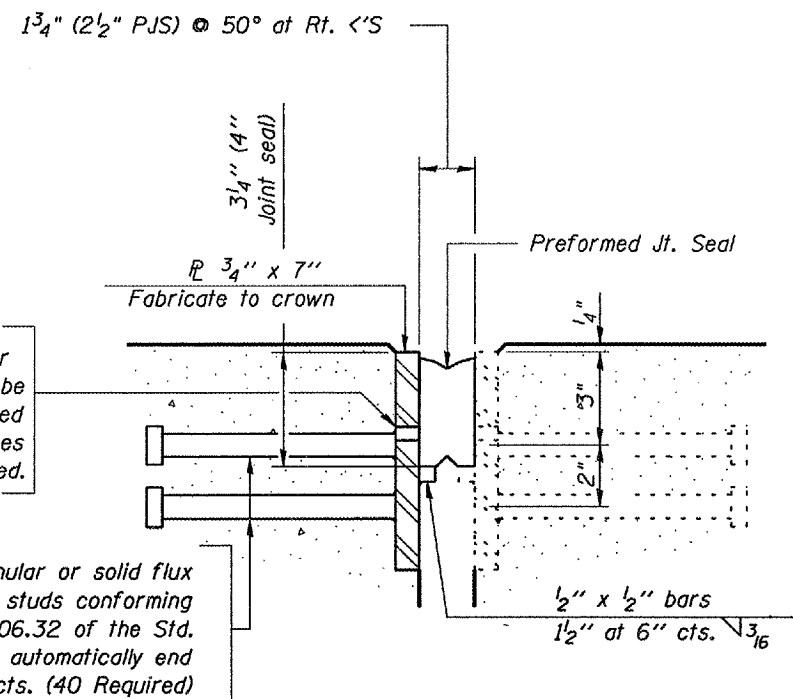
Expansion guards shall be fabricated and erected according to Article 503.10(c) of the Standard Specifications and are included in quantity of structural steel.

Expansion joint plates and attached bars shall be shop painted with the inorganic zinc rich primer.

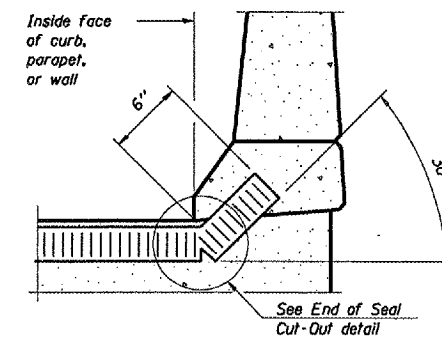
Calculated weight of Structural Steel = 260 pounds

All structural steel shall conform to AASHTO Classification M-270 Gr. 36, unless otherwise noted.

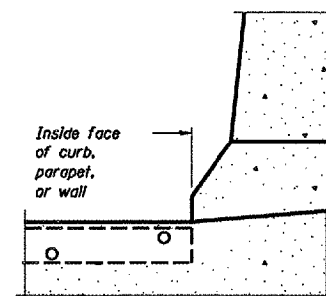
Furnish steel plates in segments of 20 feet maximum length. Maximum space between installed segments shall be 3/16". Seal space with silicone sealant suitable for structural steel.



SECTION THRU EXPANSION JOINT AT SOUTH ABUTMENT

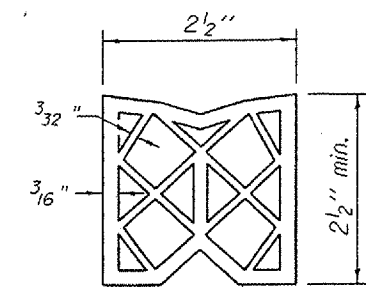


AT CURB, PARAPET, OR WALL (Showing seal)

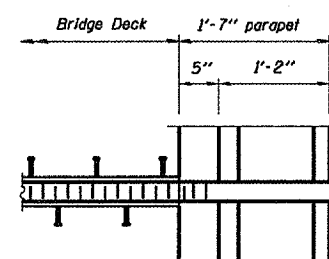


AT CURB, PARAPET, OR WALL (Showing plate)

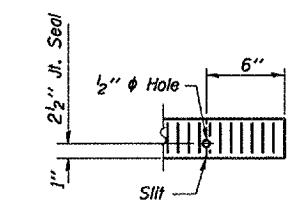
TYPICAL END TREATMENTS



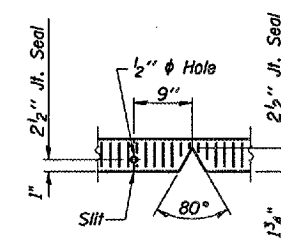
2 1/2\"/>



PLAN AT PARAPET



END OF SEAL CUT-OUT



SEAL CUT-OUT AT CURB

REVISIONS		ILLINOIS DEPARTMENT OF TRANSPORTATION
NAME	DATE	
		EXPANSION JOINT DETAILS

SCALE: VERT. HORIZ. DATE 04/26/2005 DRAWN BY RLW CHECKED BY

Date: 06/08/2005
File: c:\projects\main05\cm309\details.dgn