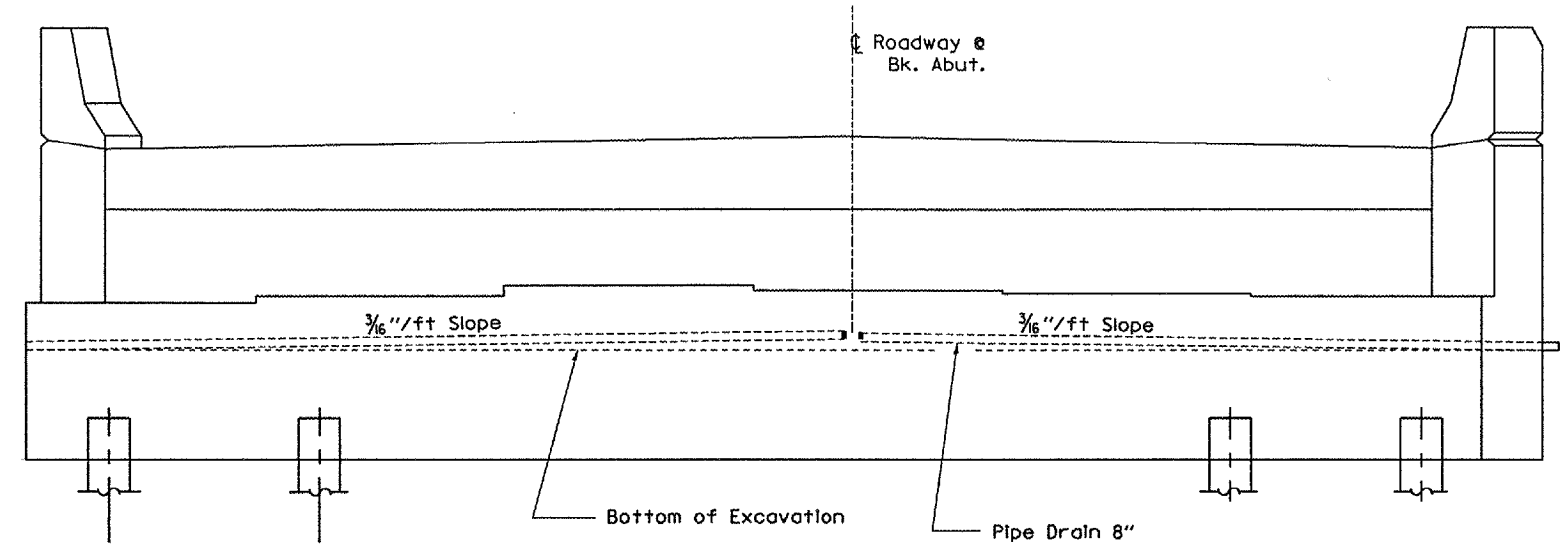
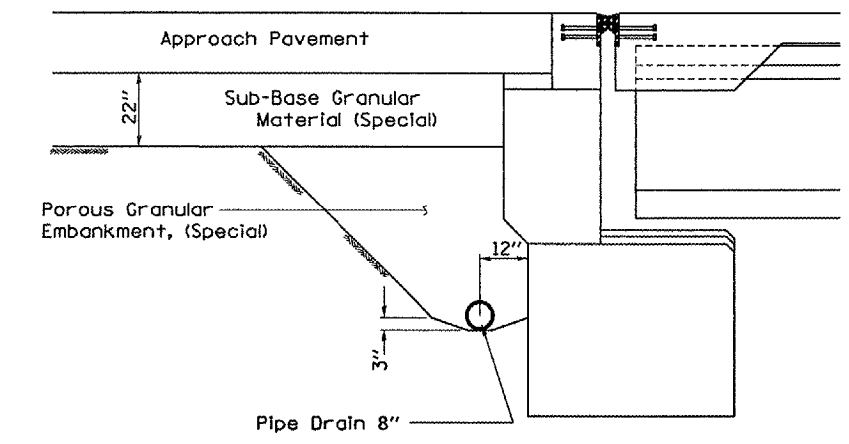


F.A.I. RTE.	SECTION	COUNTY	TOTAL SHEETS	SHEET NO.
412	(62-2VB)I-1	MARSHALL	19	12
FED. ROAD DIST. NO. .		ILLINOIS PROJECT		

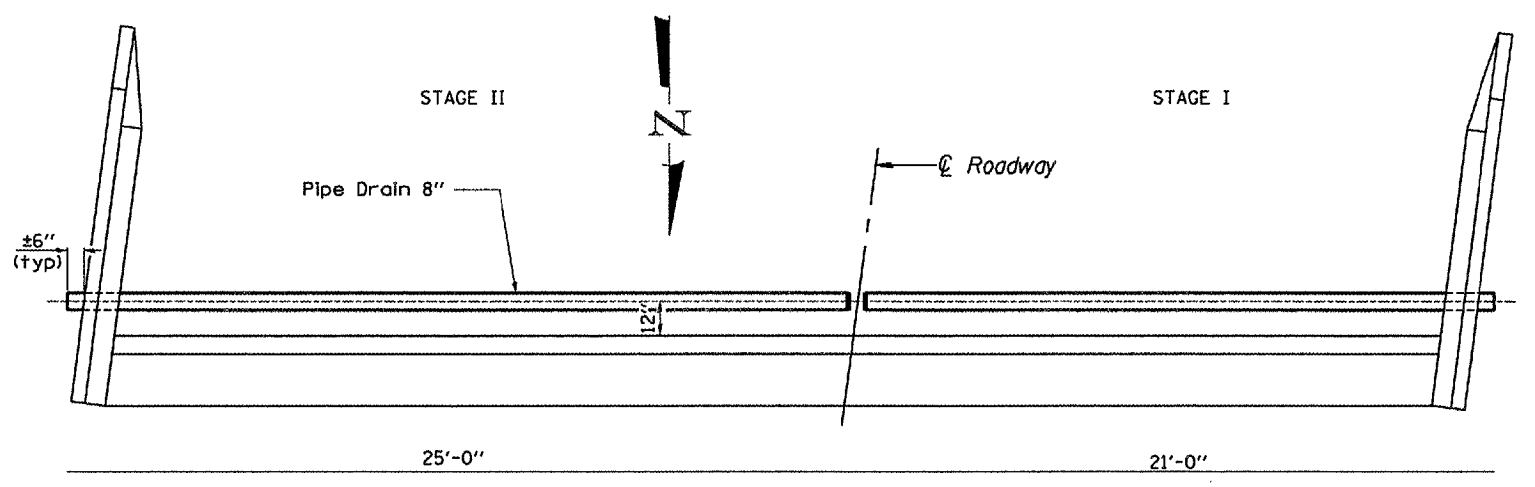


ELEVATION

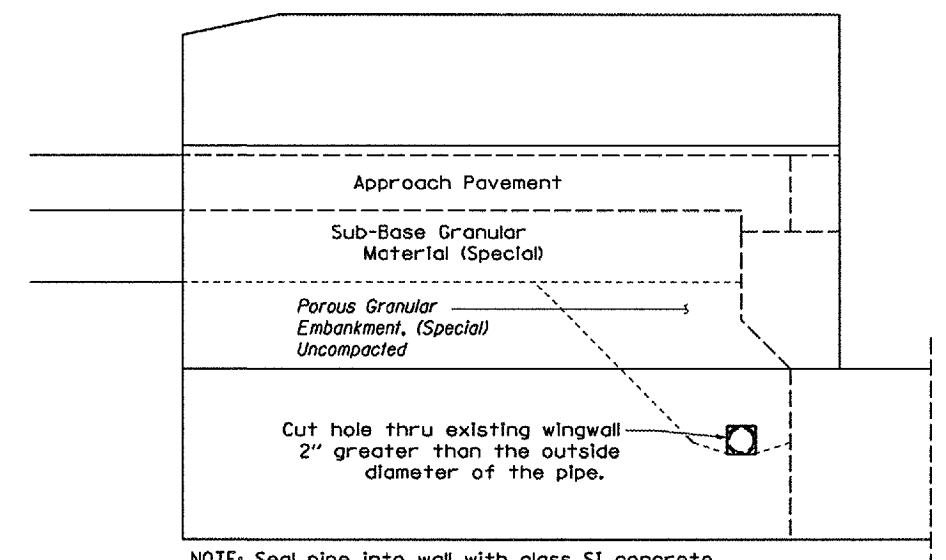


SECTION

NOTE: The pipe underdrain at the C Roadway shall be capped or sealed with approved materials as directed by the Engineer



PLAN



NOTE: Seal pipe into wall with class SI concrete
Cost Included with Pipe Underdrain

ELEVATION

REVISIONS	
NAME	DATE

ILLINOIS DEPARTMENT OF TRANSPORTATION
PIPE DRAIN DETAILS
 FAI 412 (I-39)
 SECTION (62-2VB)I-1
 STA. 165+90.23
 MARSHALL COUNTY
 SCALE: VERT. _____
 HORIZ. _____
 DATE 04/26/2005
 DRAWN BY RLW
 CHECKED BY _____

Date: 05/08/2005
File: c:\projects\main06\cm-309\details.dgn