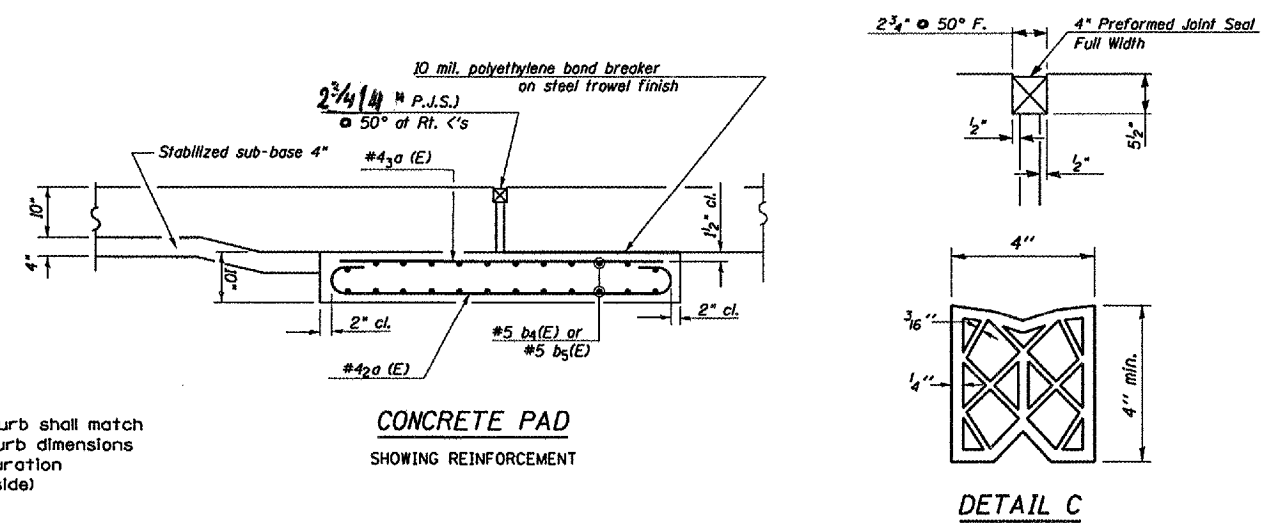
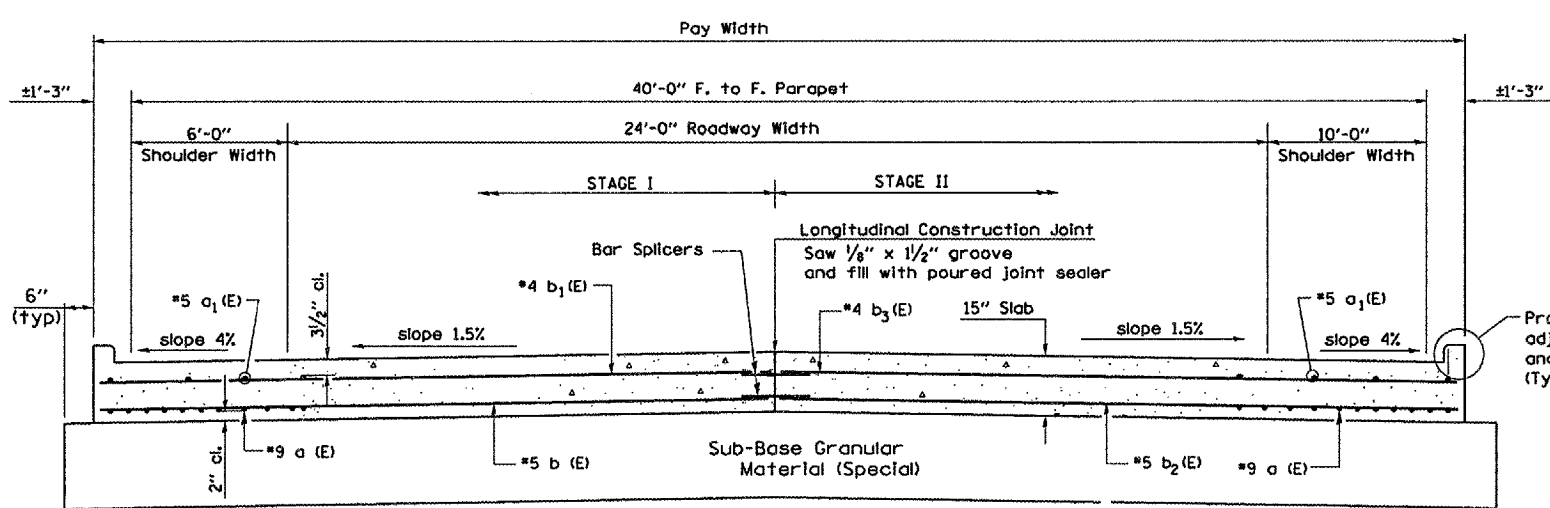
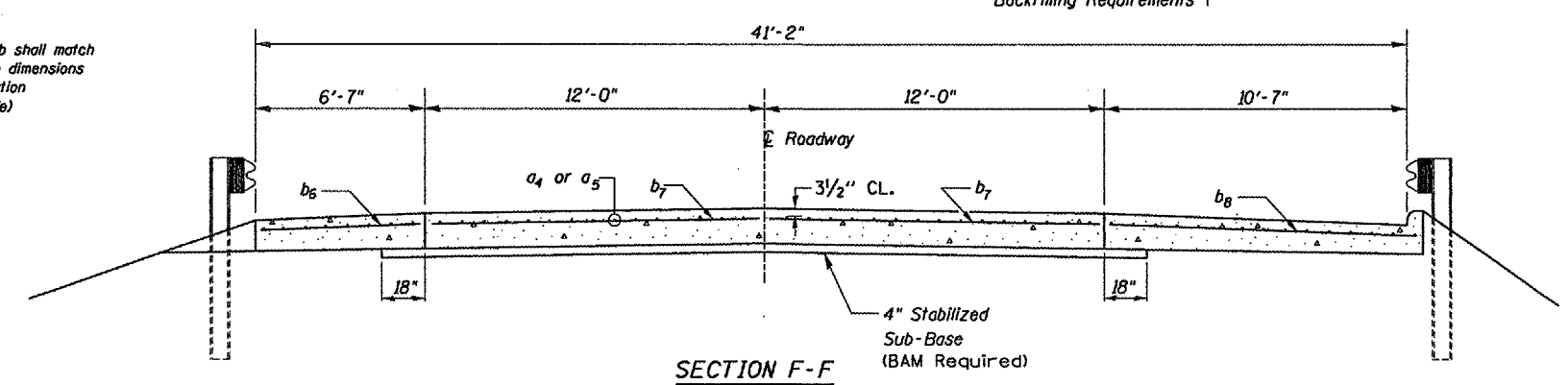
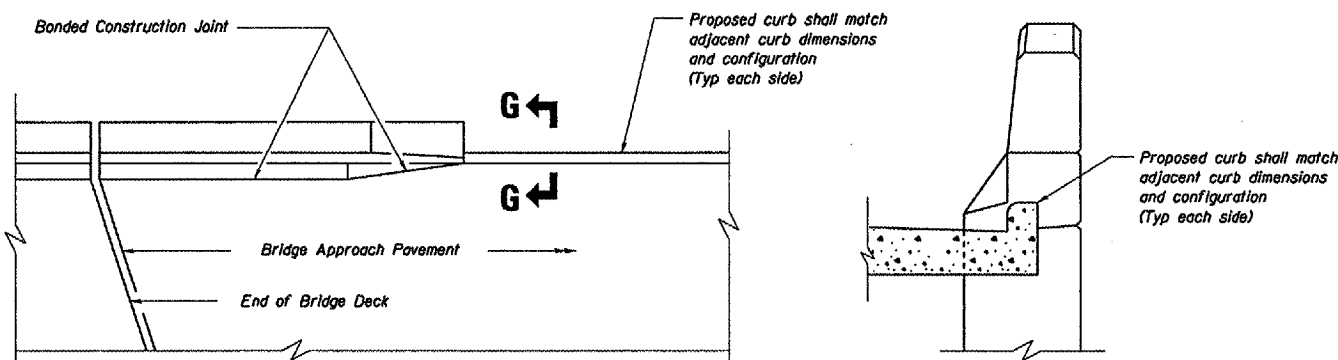
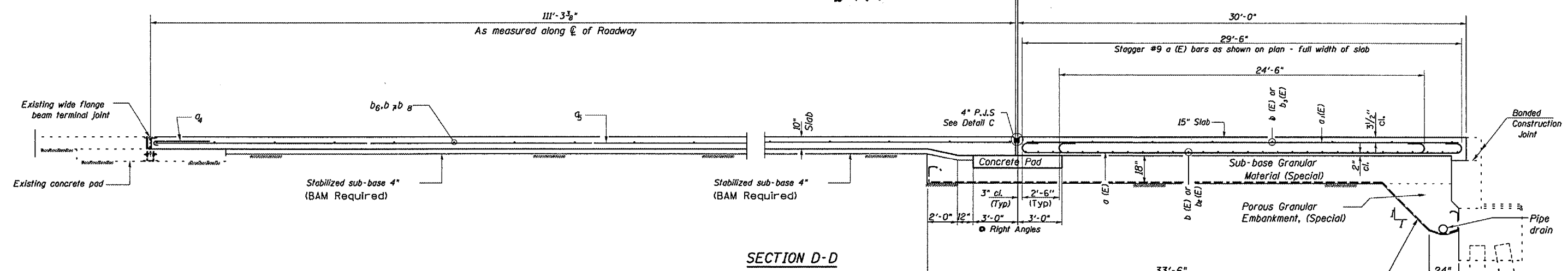


F.A.I. RTE.	SECTION	COUNTY	TOTAL SHEETS	SHEET NO.
412	(62-2VB)I-1	MARSHALL	19	15
FED. ROAD DIST. NO. . ILLINOIS		PROJECT		

2 3/4" x 4" P.I.S. @ 50° F. at c/s



REVISIONS	
NAME	DATE

ILLINOIS DEPARTMENT OF TRANSPORTATION
**PROPOSED APPROACH PAVEMENT
 DETAILS - SOUTH APPROACH**
 FAI 412 (I-39)
 SECTION (62-2VB)I-1
 STA. 165+90.23
 MARSHALL COUNTY
 SCALE: VERT. _____
 HORIZ. _____
 DATE 04/26/2005
 DRAWN BY RLW
 CHECKED BY _____

See Plan for Dimensions not shown
 All reinforcement bars shall be Epoxy Coated

Date: 06/08/2005 File: c:\projects\main\06\cm309\details.dgn