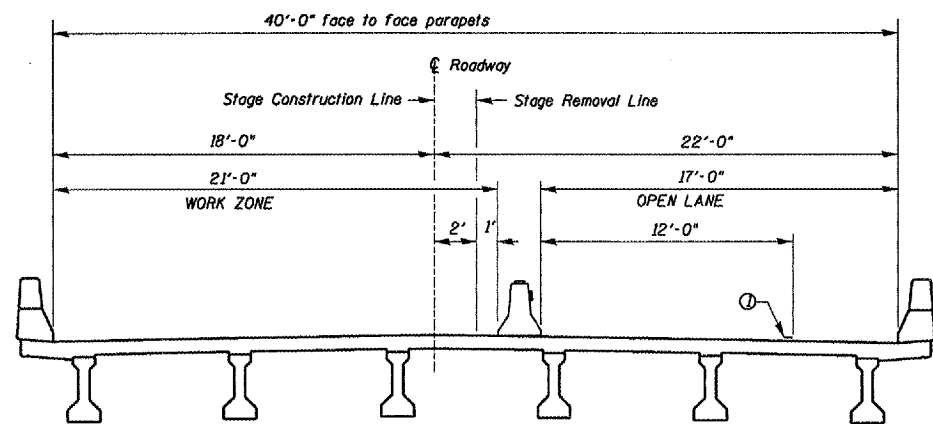
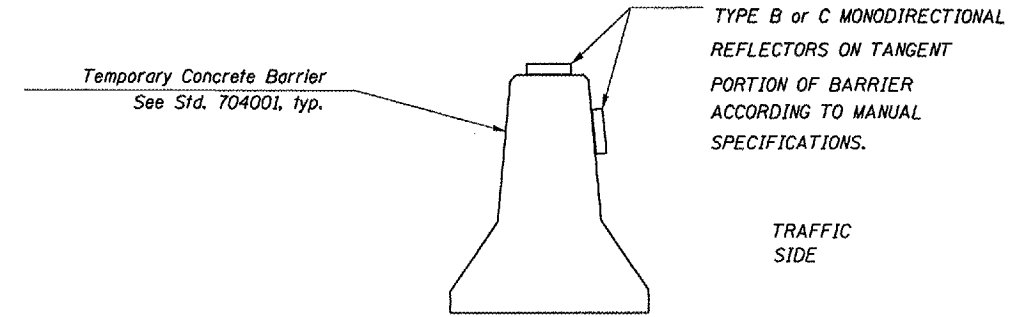
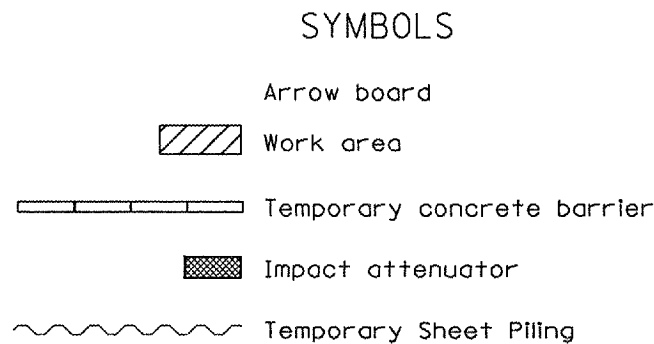


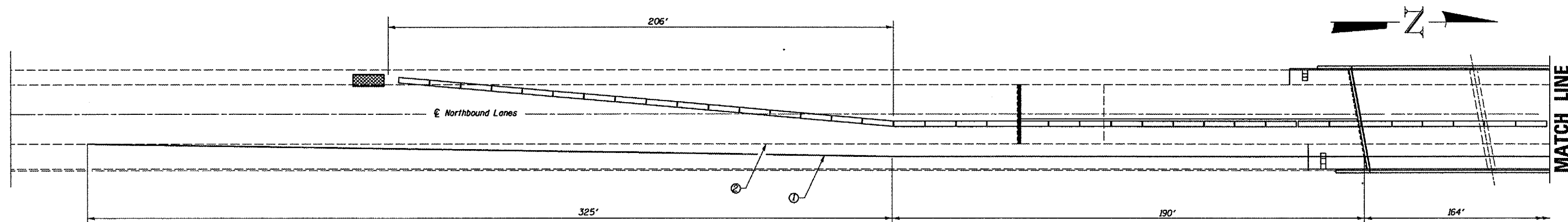
F.A.L. RTE.	SECTION	COUNTY	TOTAL SHEETS	SHEET NO.
412	(62-2VB)I-1	MARSHALL	19	17
FED. ROAD DIST. NO. - ILLINOIS PROJECT				



**CROSS SECTION**  
LOOKING NORTH



**TEMPORARY CONCRETE BARRIER**



**PLAN VIEW**

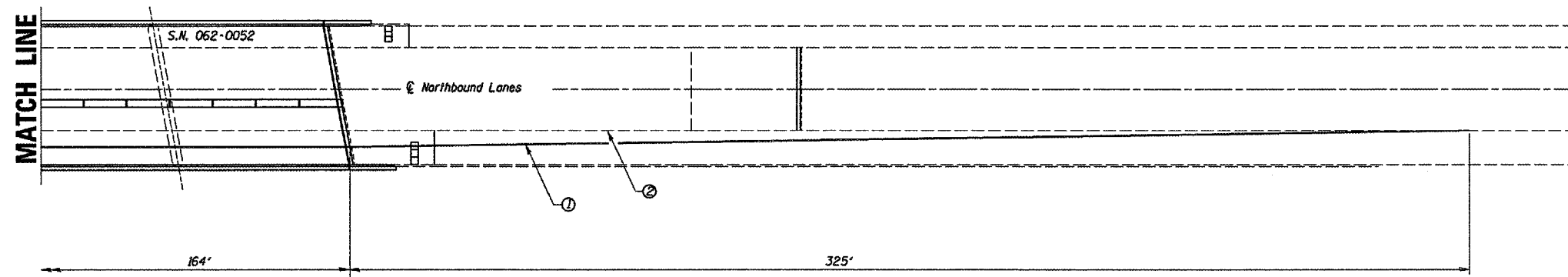
**GENERAL NOTES**

This Detail is used where at any time any vehicle, equipment, workers or their activities will encroach on the lane adjacent to the shoulder, or on the shoulder within 24" of the edge of pavement.

This Detail must always be used in combination with Standard 701402 (Special)

① Reflectorized temporary pavement marking tape shall be placed throughout the work area as shown. The edge line shall be white for right lane closure and yellow for left lane closures.

② Pavement Marking Removal



**PLAN VIEW**

WORK THIS DETAIL WITH TRAFFIC CONTROL AND PROTECTION STANDARD 701402 (SPECIAL)

REVISIONS	
NAME	DATE

ILLINOIS DEPARTMENT OF TRANSPORTATION  
**STAGING AND TRAFFIC CONTROL DETAILS**  
**STAGE I**  
 FAI 412 (I-39)  
 SECTION (62-2VB)I-1  
 STA. 165+90.23  
 MARSHALL COUNTY  
 SCALE: VERT. 1"=10'  
 HORIZ. 1"=40'  
 DATE 04/26/2005  
 DRAWN BY RLW  
 CHECKED BY

Date: 06/08/2005 File: c:\projects\main\06\cam309\details.dgn