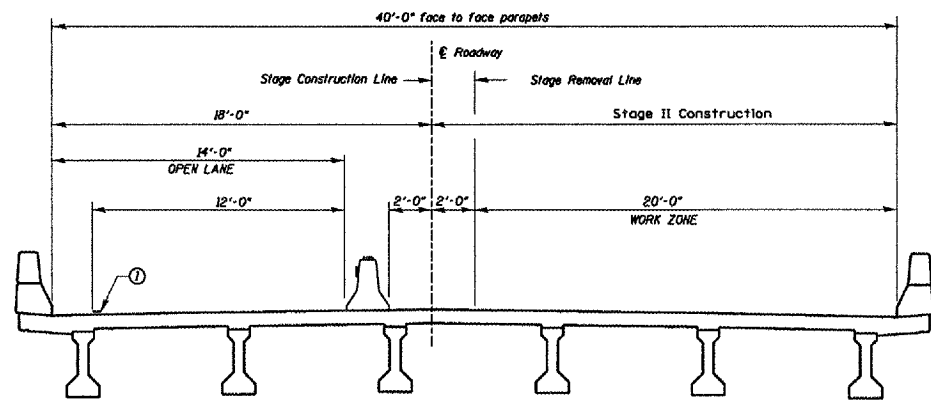


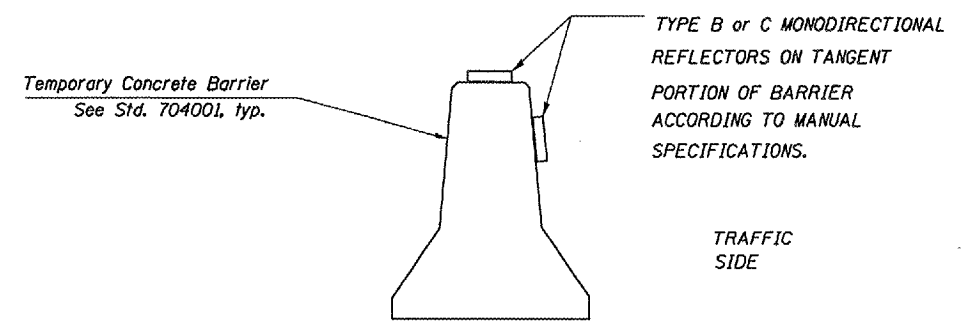
F.A.I. RTE.	SECTION	COUNTY	TOTAL SHEETS	SHEET NO.
412	(62-2VB)1-1	MARSHALL	19	18
FED. ROAD DIST. NO. - ILLINOIS PROJECT				



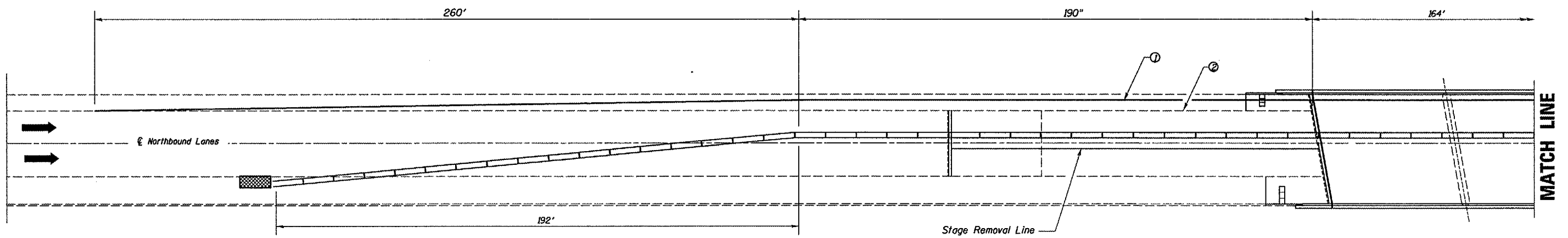
CROSS SECTION
LOOKING NORTH

SYMBOLS

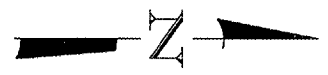
- Arrow board
- Work area
- Temporary concrete barrier
- Impact attenuator
- Temporary Sheet Piling



TEMPORARY CONCRETE BARRIER

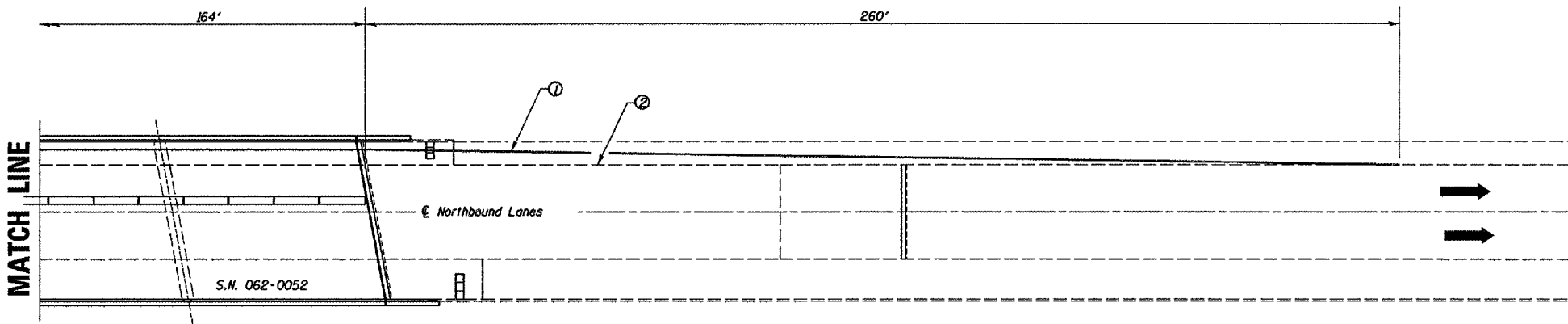


PLAN VIEW



GENERAL NOTES

- This Detail is used where at any time any vehicle, equipment, workers or their activities will encroach on the lane adjacent to the shoulder, or on the shoulder within 24" of the edge of pavement.
- This Detail must always be used in combination with Standard 701402 (Special)
- ① ReflectORIZED temporary pavement marking tape shall be placed throughout the work area as shown. The edge line shall be white for right lane closure and yellow for left lane closures.
- ② Pavement Marking Removal



PLAN VIEW

WORK THIS DETAIL WITH TRAFFIC CONTROL AND PROTECTION STANDARD 701402 (SPECIAL)

REVISIONS	
NAME	DATE

ILLINOIS DEPARTMENT OF TRANSPORTATION
STAGING & TRAFFIC CONTROL DETAILS
STAGE II
FAI 412 (I-39)
SECTION (62-2VB)1-1
STA. 165+90.23
MARSHALL COUNTY
SCALE: VERT. HORIZ.
DATE 04/26/2005
DRAWN BY RLW
CHECKED BY

Date: 06/08/2005
File: c:\projects\main06\cm309\details.dgn