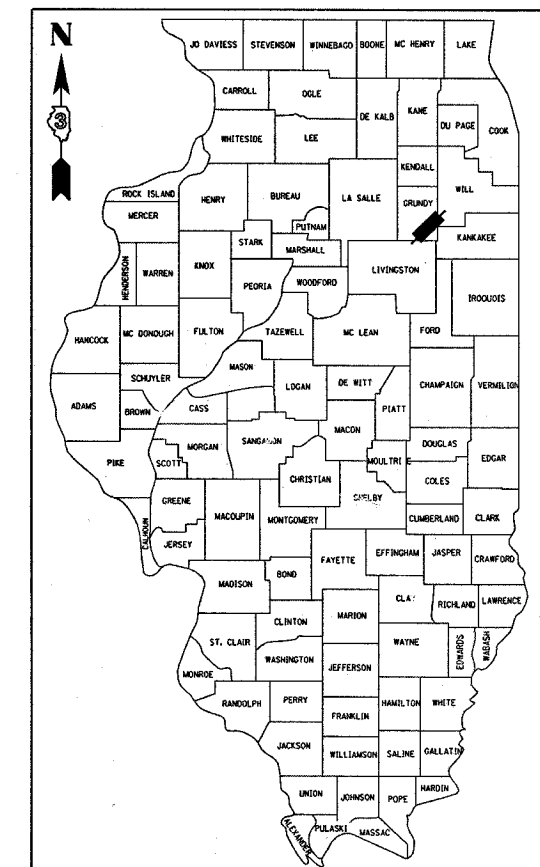


F.A.I. RTE.	SECTION	COUNTY	TOTAL SHEETS	SHEETS NO.
55	(32-1)J	GRUNDY	4	1
F.H.W.A. REG. 5		ILLINOIS	PROJECT	

D-93-065-05



LOCATION OF SECTION INDICATED THUS:

FUNCTION CLASSIFICATION

INTERSTATE

2004 ADT = 22600

P.V. = 68.6 % S.U. = 6.2 % M.U. = 25.2 %

INDEX OF SHEETS

- 1 COVERSHEET
- 2 GENERAL NOTES & TYPICAL
- 3 SUMMARY
- 4 DETAILS

HIGHWAY STANDARDS

- 701106-01 OFF-ROAD OPERATIONS, MULTILANE, MORE THAN 4.5 m (15') AWAY
- 701400-02 APPROACH TO LANE CLOSURE, FREEWAY/EXPRESSWAY
- 701401-03 LANE CLOSURE, FREEWAY/EXPRESSWAY
- 702001-05 TRAFFIC CONTROL DEVICES

STATE OF ILLINOIS DEPARTMENT OF TRANSPORTATION DIVISION OF HIGHWAYS PLANS FOR PROPOSED FEDERAL AID HIGHWAY

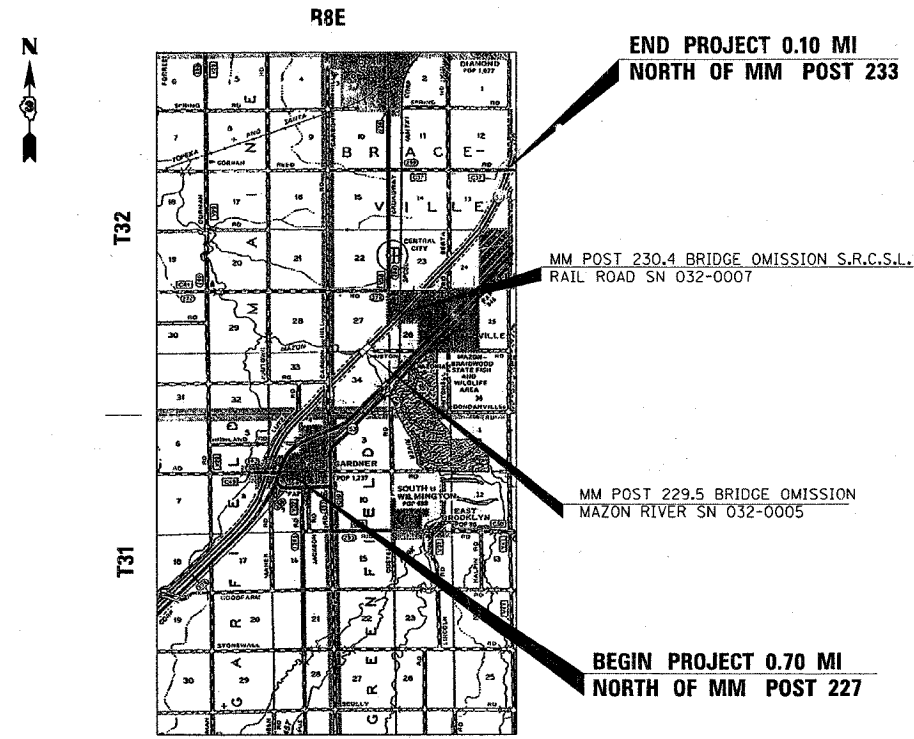
F.A.I. ROUTE 55 (I-55NB) SECTION (32-1)J

GRUNDY COUNTY

C - 93 - 112 - 05

PROJECT DESCRIPTION

INSTALL HIGH TENSION CABLE MEDIAN BARRIER SYSTEM



LOCATION MAP
NOT TO SCALE

GROSS LENGTH = 28,512 FT. = 5.40 MI.
NET LENGTH = 27,199 FT. = 5.15 MI.

MICROFILMED _____
REEL NUMBER _____
AWARDED _____
RESIDENT ENGINEER _____
AS BUILT CHANGES WERE MADE
ON THE FOLLOWING SHEETS _____

JULIE 1-800-892-0123

DISTRICT 3 NO. (815) 434-6131

PROJECT ENGINEER: DAN DRAPER
UNIT CHIEF: PAT BRABOY
TOWNSHIP: GARFIELD, MAIN, BRACEVILLE

CONTRACT NO. 66605

STATE OF ILLINOIS
DEPARTMENT OF TRANSPORTATION
DIVISION OF HIGHWAYS

SUBMITTED JUNE 30 20 05
Gary L. Mounts
DEPUTY DIRECTOR OF HIGHWAYS, REGION ENGINEER

August 19, 20 05
Mike Wenzel
ENGINEER OF DESIGN AND ENVIRONMENT

August 19, 20 05
Victor Mader
DIRECTOR OF HIGHWAYS, CHIEF ENGINEER

PRINTED BY THE AUTHORITY
OF THE STATE OF ILLINOIS

6/30/2005 c:\p\p\lects\ed0505\cover.sht.dgn

F.A.I. RTE.	SECTION	COUNTY	TOTAL SHEETS	SHEET NO.
55	132-1J	GRUNDY	4	2
FED. ROAD DIST. NO. - ILLINOIS		FED. AID PROJECT		

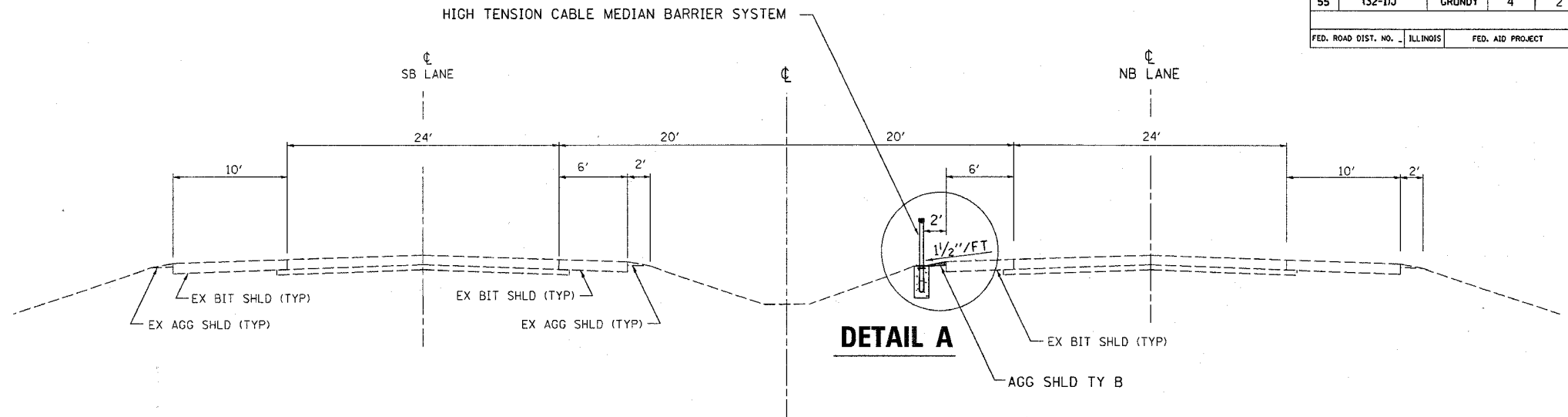
GENERAL NOTES

THE ENGINEER WILL BE THE SOLE JUDGE CONCERNING CURING TIME FOR THE VARIOUS BITUMINOUS LIFTS.

ABANDONED UNDERGROUND UTILITIES THAT CONFLICT WITH CONSTRUCTION SHALL BE DISPOSED OF OUTSIDE THE LIMITS OF THE RIGHT OF WAY ACCORDING TO ARTICLE 202.03 OF THE STANDARD SPECIFICATIONS AND AS DIRECTED BY THE ENGINEER. THIS WORK WILL NOT BE PAID FOR SEPARATELY BUT SHALL BE INCLUDED IN THE COST OF EARTH EXCAVATION.

ANY REFERENCE TO A STANDARD IN THESE PLANS SHALL BE INTERPRETED TO MEAN THE EDITION AS INDICATED BY THE SUBNUMBER LISTED ON THE INDEX OF SHEETS OR THE COPY OF THE STANDARD INCLUDED IN THESE PLANS.

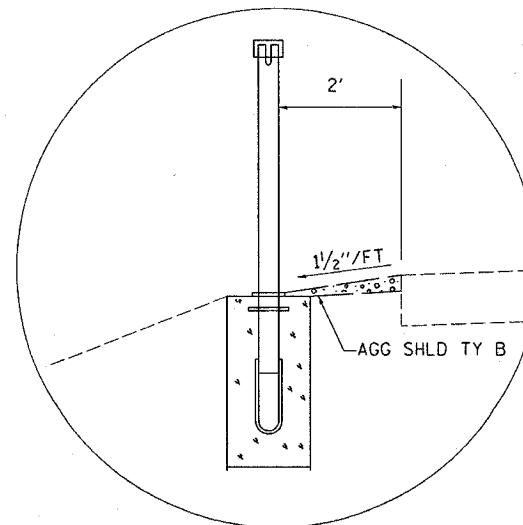
CONTRACTOR SHALL MAKE THE NECESSARY ADJUSTMENTS TO POST SPACING TO AVOID DAMAGE TO EXISTING UNDERDRAIN OUTLETS WITHIN PROJECT LIMITS, WHILE NOT EXCEEDING MAXIMUM POST SPACING.



MM POSTS 227.7 TO 233.1
 OMIT SN 032-0005 & 032-0007 & 3 MAINTENANCE CROSSEOVERS
 SEE SCHEDULE

NB SHOWN - 2 SB LOCATIONS SIMILAR - SEE
 DETAIL & SCHEDULE FOR SB LOCATIONS

**TYPICAL SECTION
 FAI 55**



DETAIL A

STATE OF ILLINOIS
 DEPARTMENT OF TRANSPORTATION
 DISTRICT THREE

PREPARED BY: Steven B. Andrews
 DISTRICT STUDIES & PLANS ENGINEER

DATE: JUNE 30, 2005

EXAMINED BY: Alvin J. [Signature]
 DISTRICT CONSTRUCTION ENGINEER

Kenneth R. Lane
 DISTRICT MATERIALS ENGINEER

Bruce A. Harker
 DISTRICT OPERATIONS ENGINEER

REVISIONS	
NAME	DATE

ILLINOIS DEPARTMENT OF TRANSPORTATION
**GENERAL NOTES
 &
 TYPICAL SECTION**

F.A.I. RTE.	SECTION	COUNTY	TOTAL SHEETS	SHEET NO.
55	(32-1)J	GRUNDY	4	3
FED. ROAD DIST. NO. ILLINOIS FED. AID PROJECT				

HIGH TENSION CABLE MEDIAN BARRIER SYSTEM AND AGGREGATE SHOULDER

LOCATION	HIGH TENSION CABLE MEDIAN BARRIER SYSTEM	AGGREGATE SHOULDER, TYPE B
MM POSTS	FT	TONS
NBL		
227.7 TO 229.36	8,765	221.8
OMIT S.N. 032-0005		
229.51 TO 229.9	2,060	52.1
OMIT MAINT. X-OVER		
229.91 TO 230.26	1,848	46.8
OMIT S.N. 032-0007		
230.41 TO 230.7	1,531	38.7
OMIT MAINT. X-OVER		
230.71 TO 232.7	10,508	265.9
OMIT MAINT. X-OVER		
232.71 TO 233.1	2,060	52.1
SBL		
229.36	300	7.6
230.26	300	7.6
TOTAL	27,372	692.7

SUMMARY OF QUANTITIES

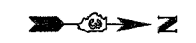
CODE NO.	ITEM	UNIT	CONSTR. TYPE CODE
			ROADWAY SFTY-3J
48101200	AGGREGATE SHOULDERS, TYPE B	TON	693
67100100	MOBILIZATION	L SUM	1
70100305	TRAFFIC CONTROL AND PROTECTION, STANDARD 701400	LSUM	1
70100800	TRAFFIC CONTRTOL AND PROTECTION, STANDARD 701401	LSUM	1
20029650	HIGH TENSION CABLE MEDIAN BARRIER SYSTEM	FOOT	27372

REVISIONS	
NAME	DATE

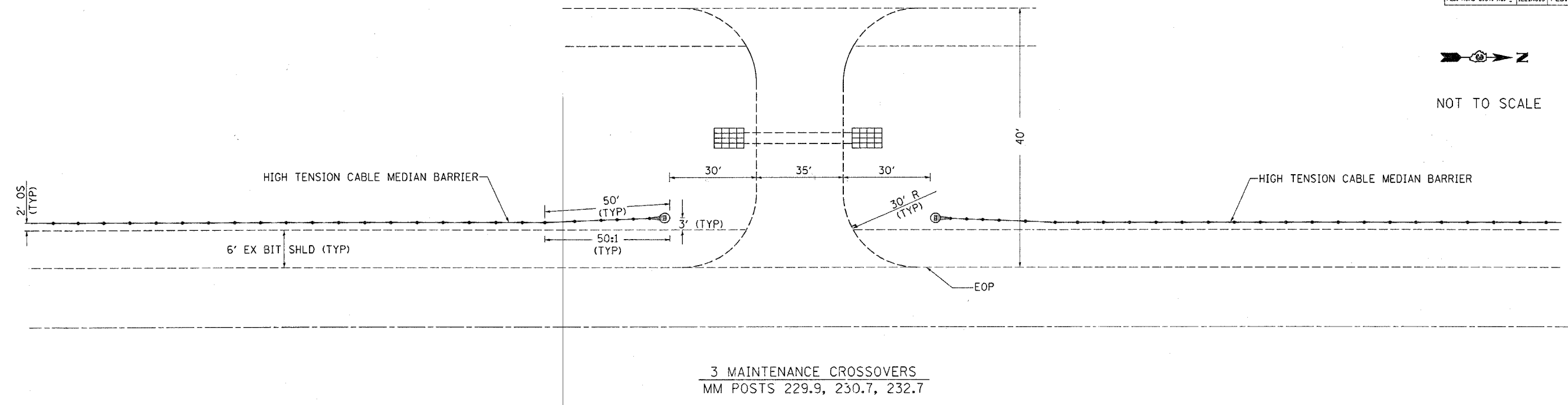
ILLINOIS DEPARTMENT OF TRANSPORTATION
SCHEDULES & SUMMARY
 SCALE: VERT. DATE
 HORIZ. DATE
 DRAWN BY
 CHECKED BY

7/1/2005 c:\projects\ed06505\defal1s.dgn

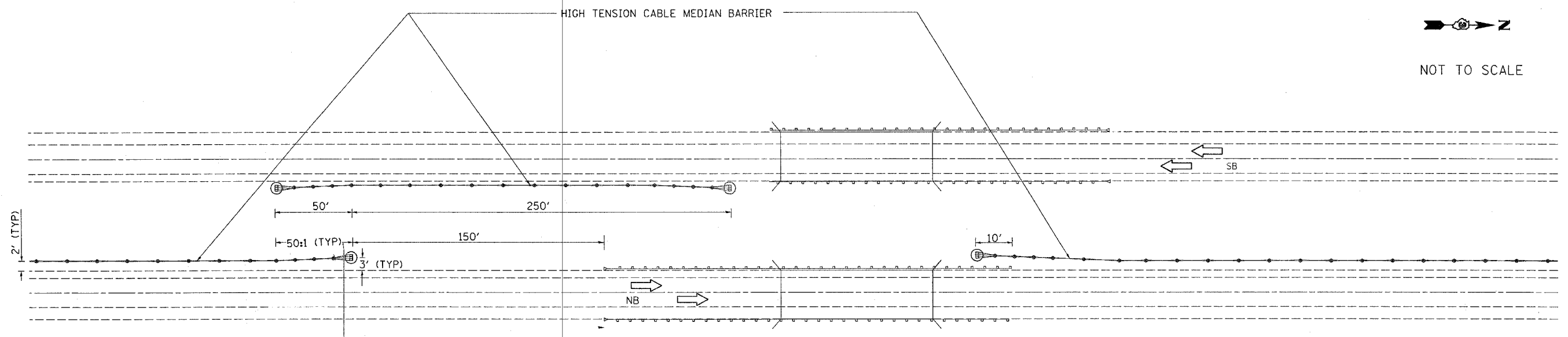
F.A.I. RTE.	SECTION	COUNTY	TOTAL SHEETS	SHEET NO.
55	(32-1)J	GRUNDY	4	4
STA.		TO STA.		
FED. ROAD DIST. NO.		ILLINOIS FED. AID PROJECT		



NOT TO SCALE



NOT TO SCALE



STRUCTURE OMISSIONS
MM POSTS 229.5 & 230.4
SN 032-0005 & 032-0007

REVISIONS	
NAME	DATE

ILLINOIS DEPARTMENT OF TRANSPORTATION

DETAILS

SCALE: VERT.
HORIZ.
DATE

DRAWN BY
CHECKED BY