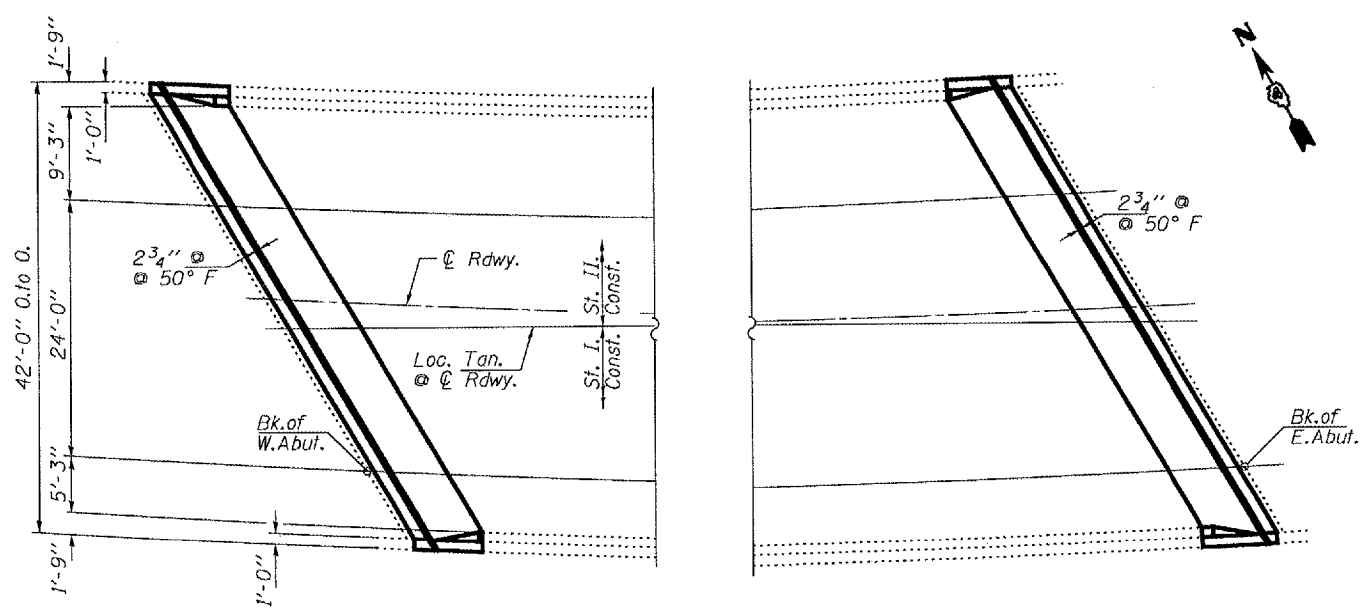
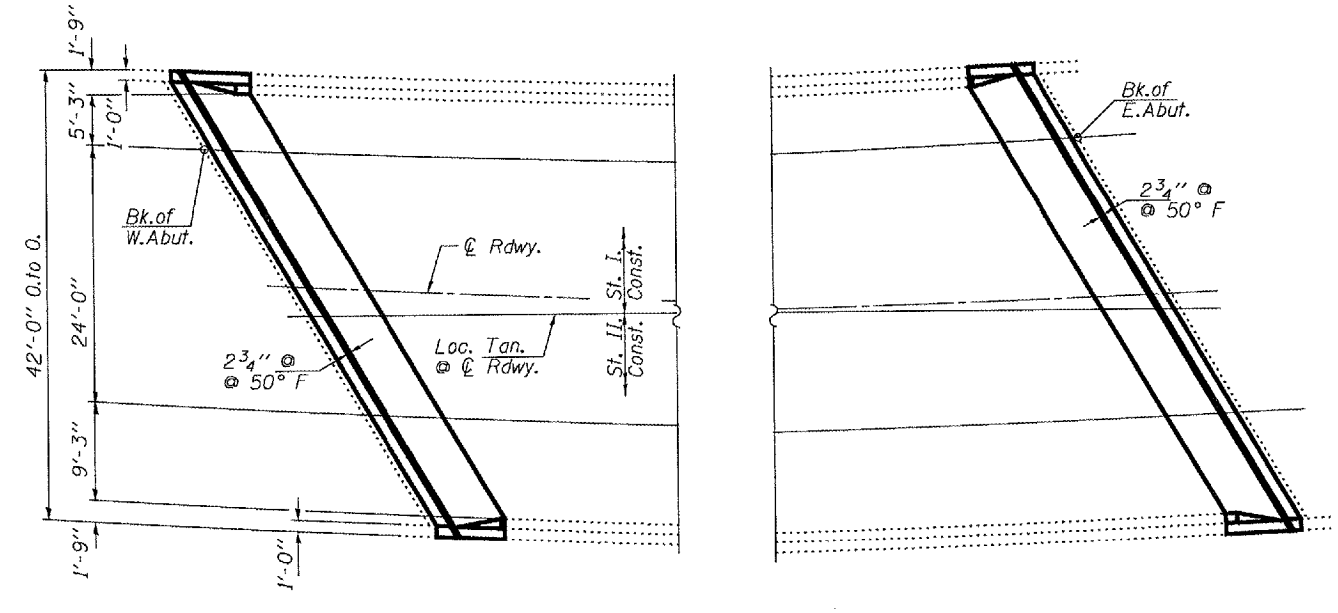


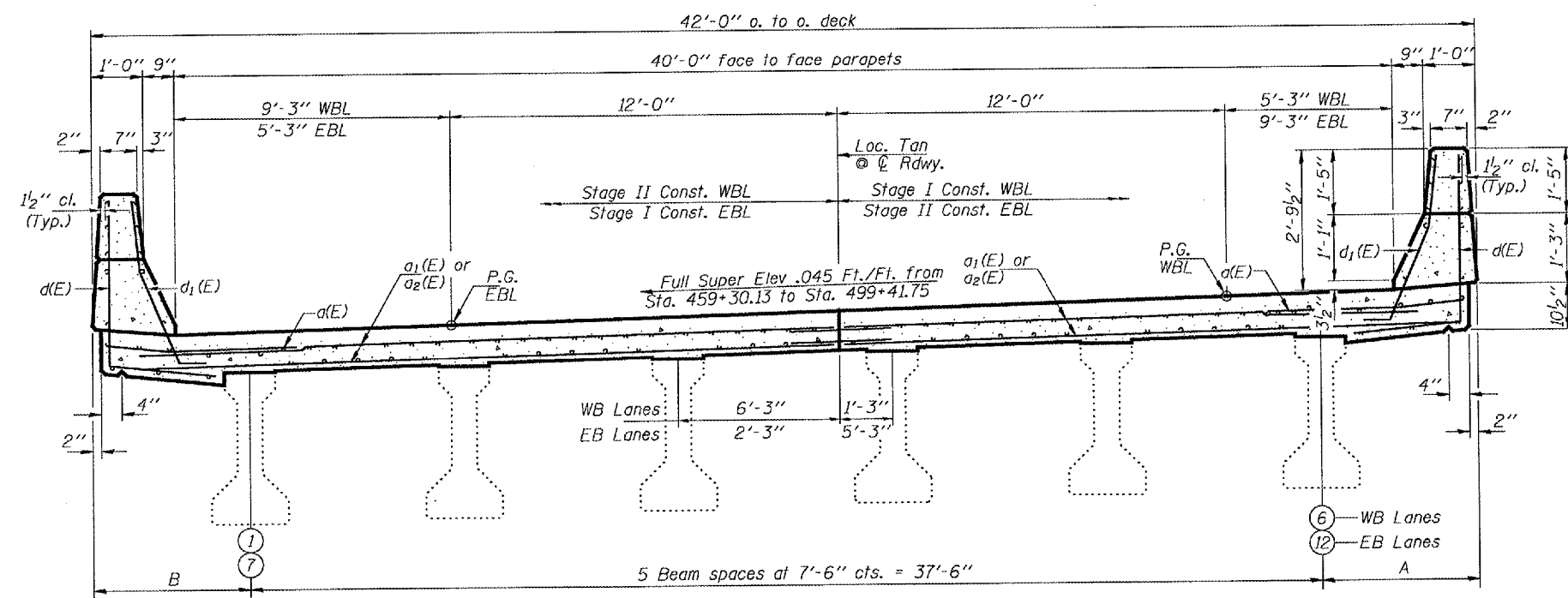
F.A.P. RTE.	SECTION	COUNTY	TOTAL SHEETS	SHEET NO.
404	D4 BRIDGE REP.	WARREN	20	10
STA. 459+08.81 TO STA. 460+84.25				
FED. ROAD DIST. NO. 4		ILLINOIS	FED. AID PROJECT	



PLAN
WB Lanes



PLAN
EB Lanes



CROSS SECTION
(Looking East)

Reinforcement bars designated (E) shall be epoxy coated.

A & B Dimensions West bound lanes

Location	A	B
West End of Deck	2'-1"	2'-10 ⁵ / ₈ "
East End of Deck	2'-7 ⁵ / ₈ "	1'-9 ¹ / ₈ "

A & B Dimensions East bound lanes

Location	A	B
West End of Deck	2'-8 ³ / ₈ "	1'-11 ⁵ / ₈ "
East End of Deck	1'-8 ⁵ / ₈ "	2'-4 ³ / ₈ "

REVISIONS	
NAME	DATE

ILLINOIS DEPARTMENT OF TRANSPORTATION
SUPERSTRUCTURE

SCALE: VERT. 1"=4'-0"
HORIZ. 1"=40'-0"
DATE 02-16-2005

DRAWN BY CEJ
CHECKED BY

PLT DATE = 02/16/05
FILE NAME = 021605.DWG
PLOT SCALE = 1/4"=1'-0"
REFERENCE = 021605.DWG