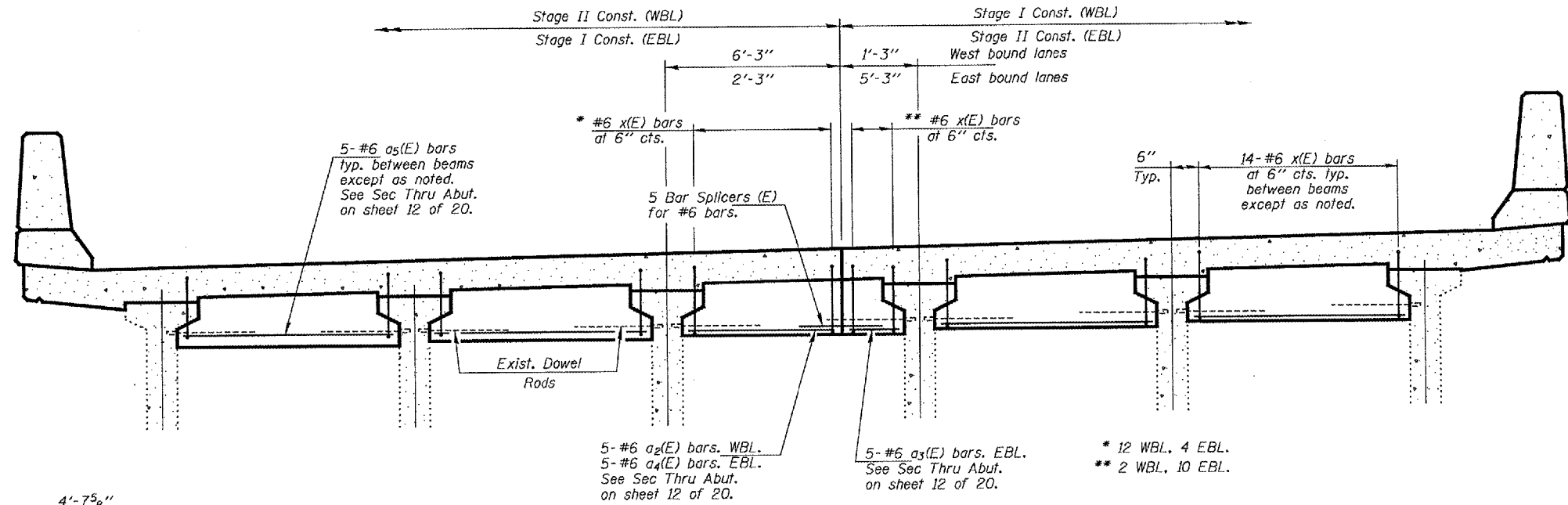
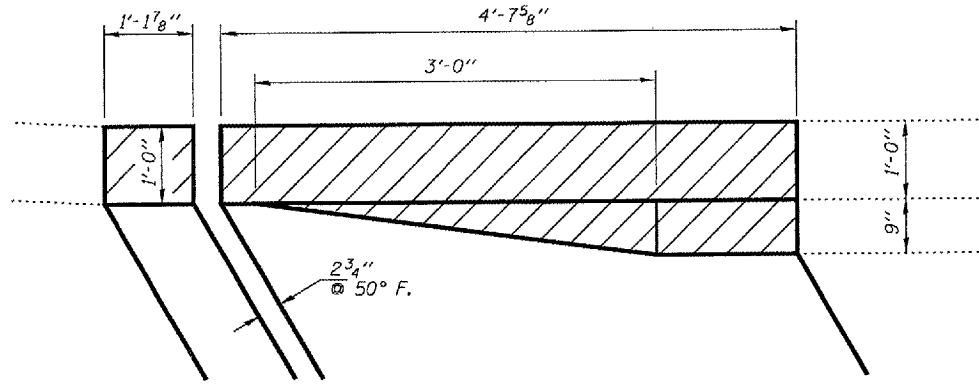


F.A.P. RTE.	SECTION	COUNTY	TOTAL SHEETS	SHEET NO.
404	D4 BRIDGE REP.	WARREN	20	11
STA. 459+08.81		TO STA. 460+84.25		
FED. ROAD DIST. NO. 4		ILLINOIS FED. AID PROJECT		

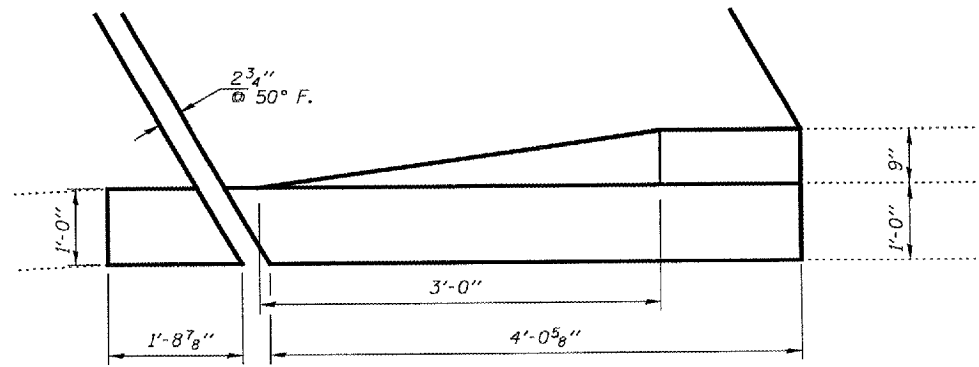


DIAPHRAGM AT ABUTMENT

(Looking East)

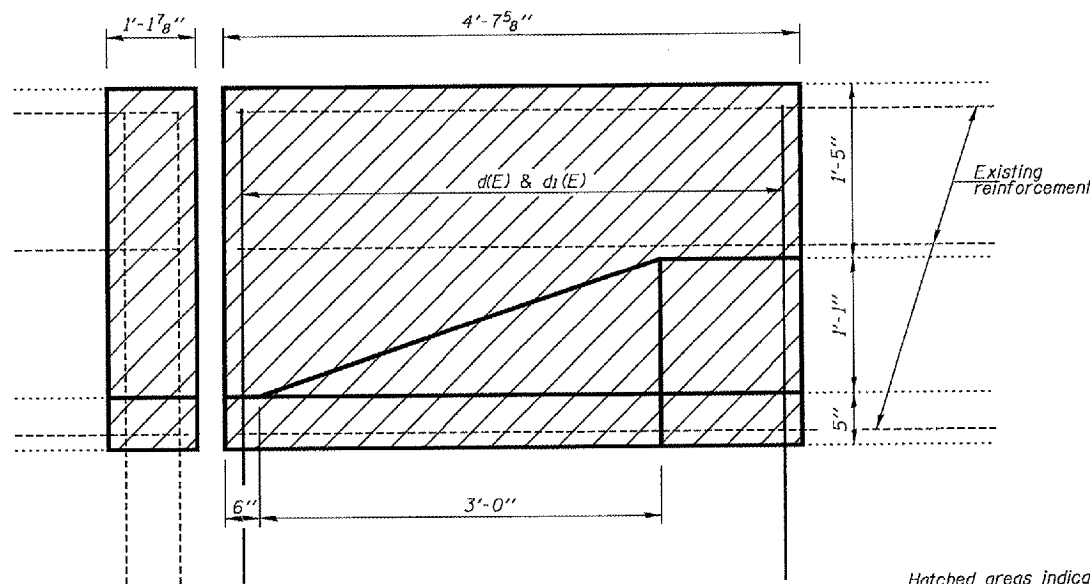


PLAN PARAPET REMOVAL



PLAN PARAPET REPLACEMENT

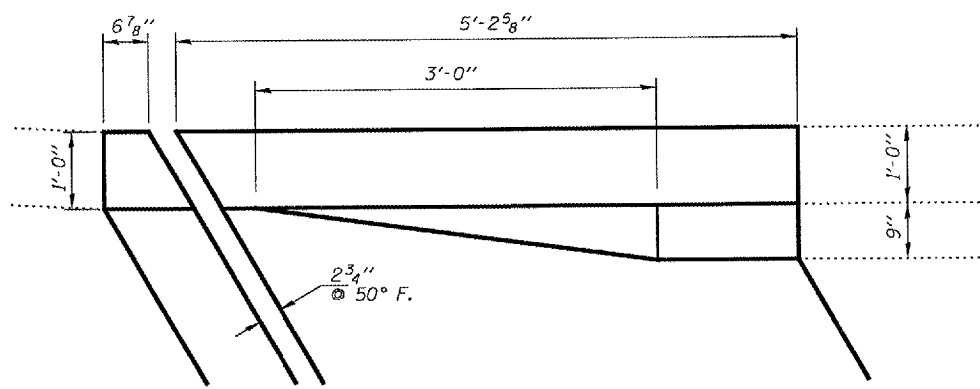
(Typical S. West & N. East corners)



INSIDE ELEVATION OF PARAPET REPLACEMENT AT ABUTMENTS

(Typical when facing Parapet)

Hatched areas indicate concrete removal & replacement. Existing reinforcement to be cleaned, straightened, and incorporated into new construction. Cost included with concrete removal.



PLAN PARAPET REPLACEMENT

(Typical N. West & S. East corners)

BILL OF MATERIAL

BAR NO.	SIZE	LENGTH	SHAPE
a(E)	#6	4'-6"	—
a1(E)	#7	27'-7"	—
a2(E)	#7	22'-1"	—
a3(E)	#6	5'-2"	—
a4(E)	#6	1'-9"	—
a5(E)	#6	7'-3"	—
a6(E)	#6	6'-4"	—
a7(E)	#6	22'-1"	—
a8(E)	#6	27'-7"	—
d(E)	#4	5'-3"	L
d1(E)	#5	4'-0"	L
x(E)	#6	7'-7"	—
Bar Splicers		Each	80
Reinforcement Bars, Epoxy Coated		Pound	10280
Concrete Superstructure		Cu. Yd.	55.0
Concrete Removal		Cu. Yd.	55.0

Reinforcement bars designated (E) shall be epoxy coated.

REVISIONS	
NAME	DATE

ILLINOIS DEPARTMENT OF TRANSPORTATION

SUPERSTRUCTURE DETAILS

SCALE: VERT. HORIZ. DATE 05-05-2005

DRAWN BY CEJ CHECKED BY

PLT DATE = ADATES
 FILE NAME = #FILE#
 PLOT SCALE = #SCALE#
 REFERENCE = #REF#