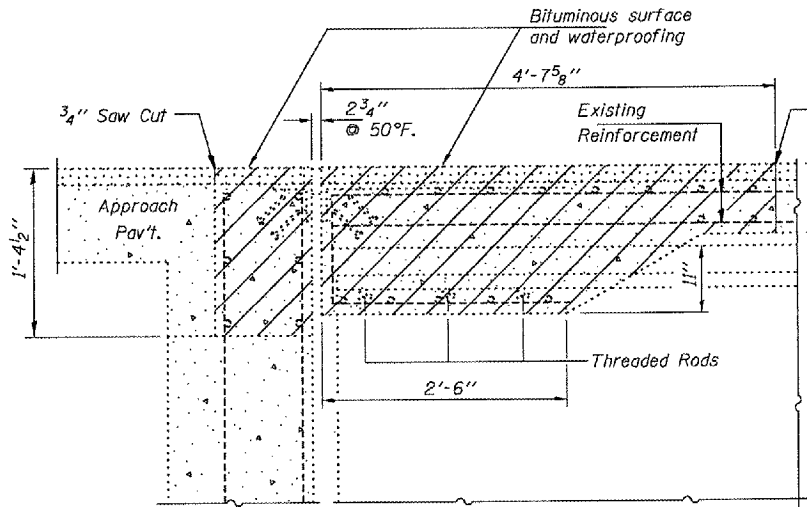


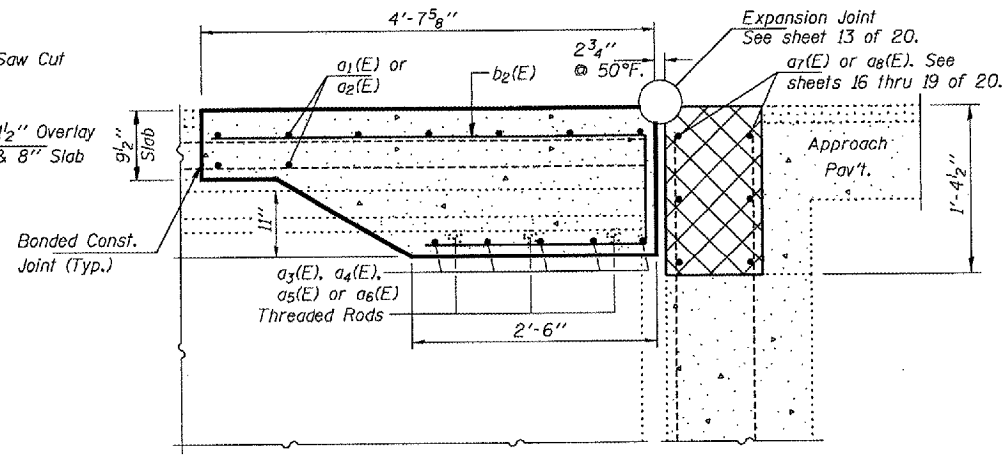
F.A.P. RTE.	SECTION	COUNTY	TOTAL SHEETS	SHEET NO.
404	D4 BRIDGE REP.	WARREN	20	12
STA. 459+08.81 TO STA. 460+84.25		ILLINOIS FED. AID PROJECT		



**SECTION THRU ABUTMENT**  
At Rt. Ls  
(Showing removal)

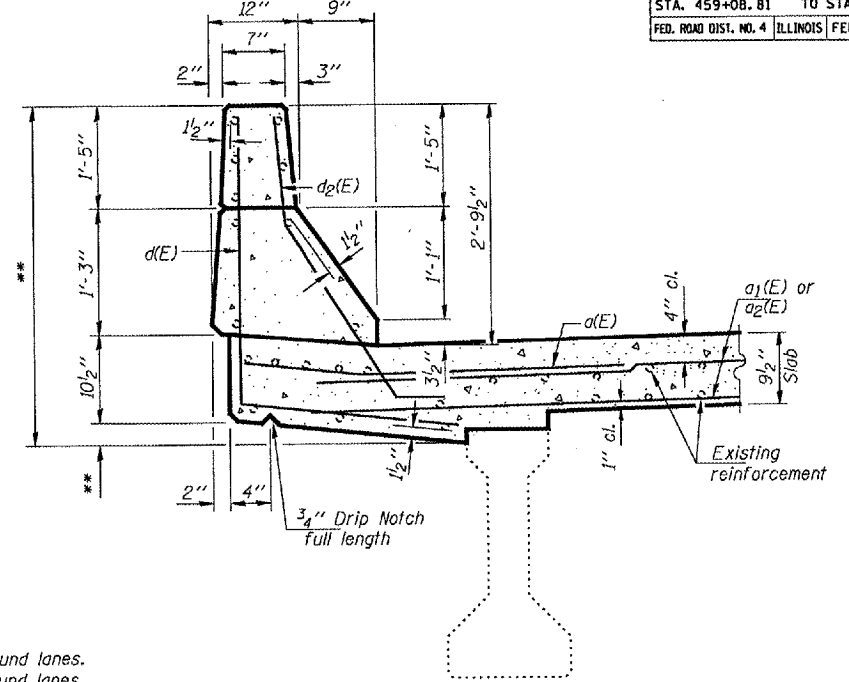
Hatched areas indicate concrete removal. Quantity of Bituminous surface and waterproofing removal included with Concrete Removal. Existing reinforcement & threaded rods to be cleaned, straightened, and incorporated into new construction. Cost included with concrete removal.

Cross hatched area to be poured after superstructure concrete is in place. Concrete quantity is included with Concrete Superstructure. Reinforcement bar quantity in cross hatched area is included on this sheet.

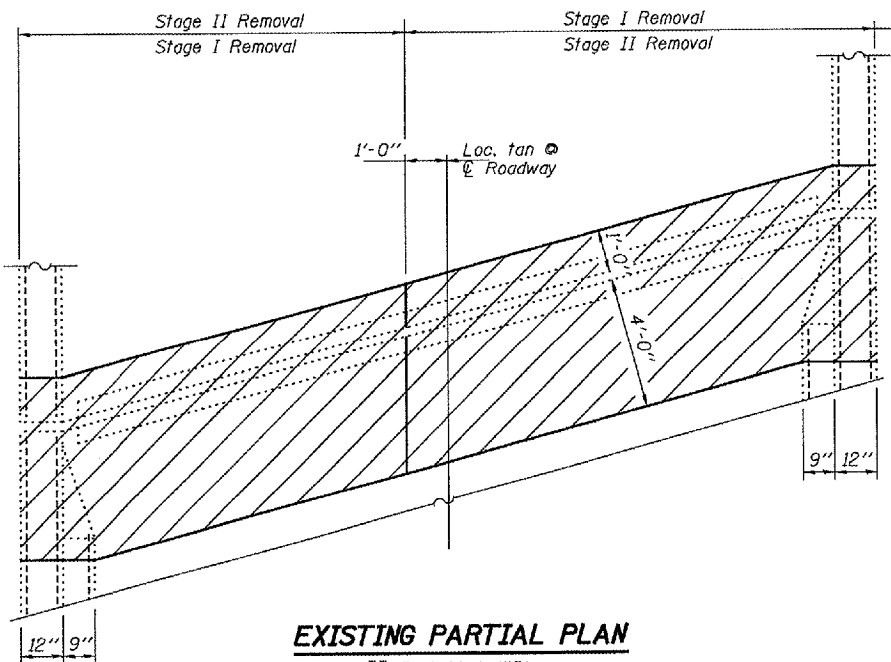


**SECTION THRU ABUTMENT**  
At Rt. Ls  
(Showing replacement)

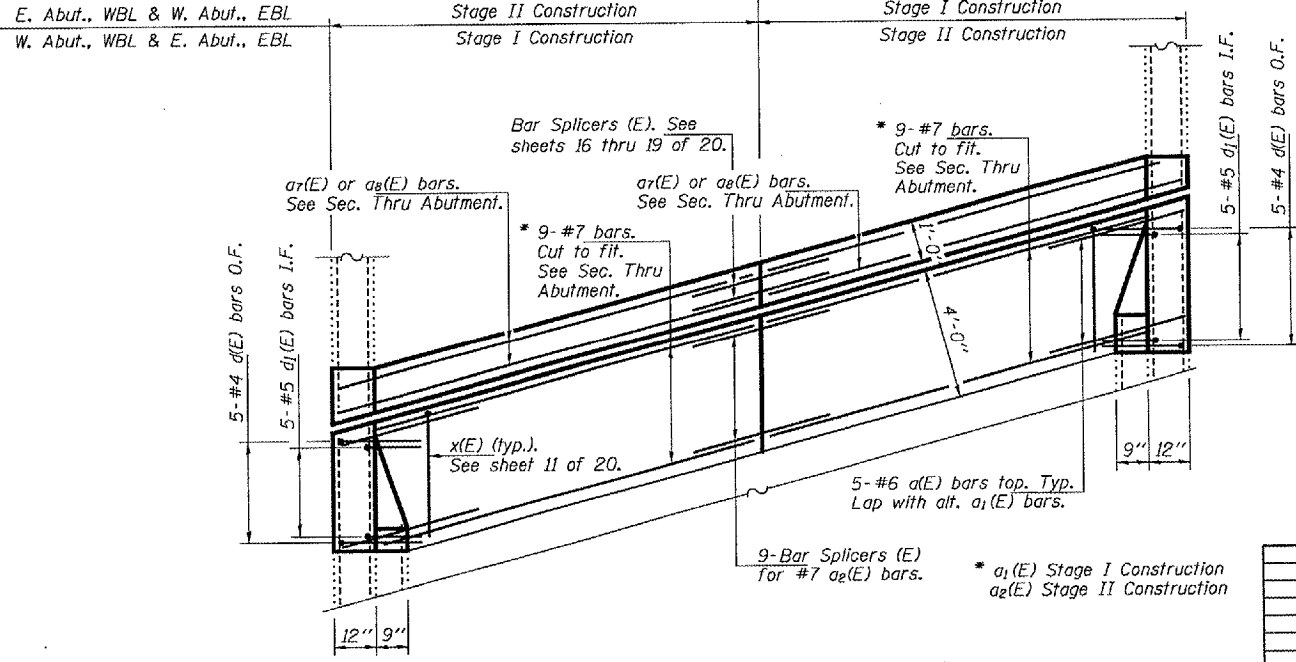
- \*\* 2 3/4" No. Parapet, West bound lanes.
- 2 5/8" No. Parapet, East bound lanes.
- 3 3/4" So. Parapet, West bound lanes.
- 3 1/8" So. Parapet, East bound lanes.
- \*\*\* 3'-9 1/4" No. Parapet, West bound lanes.
- 3'-9 1/8" No. Parapet, East bound lanes.
- 3'-9 3/4" So. Parapet, West bound lanes.
- 3'-9 5/8" So. Parapet, East bound lanes.



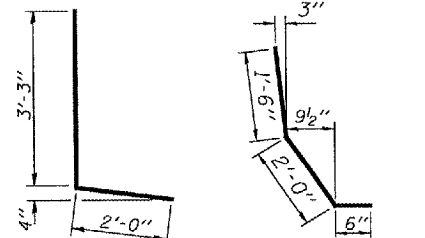
**SECTION THRU PARAPET**



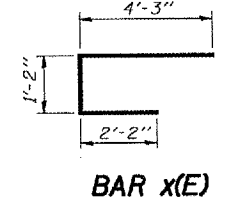
**EXISTING PARTIAL PLAN**  
\*\* East Abut. WBL  
West Abut. EBL



**PROPOSED PARTIAL PLAN**  
\*\* East Abut. WBL  
West Abut. EBL



**BAR d(E)**      **BAR d1(E)**



**BAR x(E)**

Reinforcement bars designated (E) shall be epoxy coated.

REVISIONS	
NAME	DATE

ILLINOIS DEPARTMENT OF TRANSPORTATION  
**JOINT RECONSTRUCTION DETAIL**  
SCALE: VERT.      DRAWN BY CEJ  
          HORIZ.      CHECKED BY  
DATE 05-05-2005

PLOT DATE \* NUMBER  
FILE NAME \* FILE#  
PLOT SCALE \* SCALE  
REFERENCE \* REF#