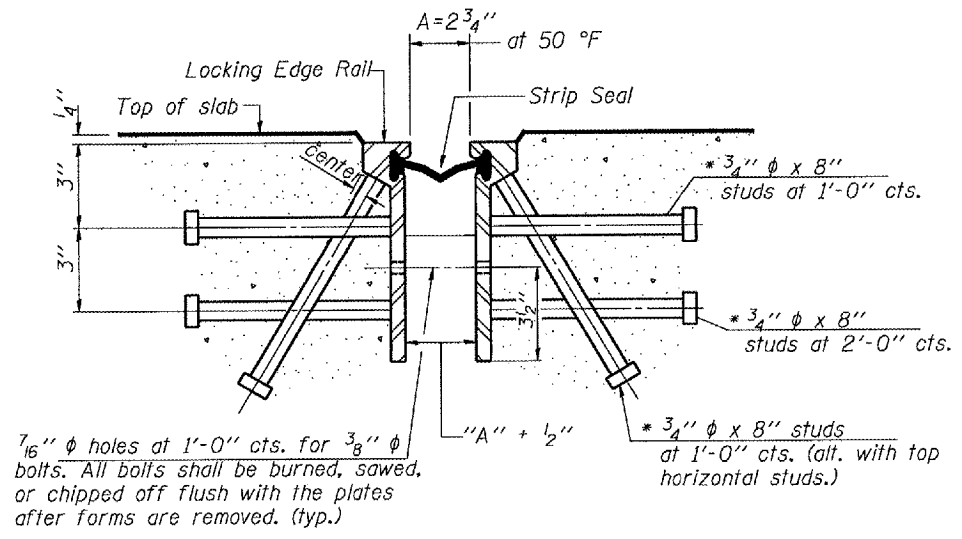


F.A.P. RTE.	SECTION	COUNTY	TOTAL SHEETS	SHEET NO.
404	D4 BRIDGE REP.	WARREN	20	13
STA. 459+08.81		TO STA. 460+84.25		
FED. ROAD DIST. NO. 4		ILLINOIS	FED. AID PROJECT	



SECTION THRU ROLLED RAIL EXP. JOINT

(236 Studs Required pre joint, 944 total)

* Granular or solid flux filled headed studs conforming to Article 1006.32 of the Std. Specs., automatically end welded.

Required Strip Seal	"A"
rated movement	4"
	2 3/4"

GENERAL NOTES

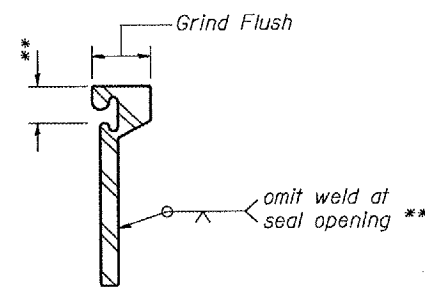
The strip seal shall be made continuous and shall have a minimum thickness of 1/4". The configuration of the strip seal shall match the configuration of the Locking Edge Rails.

The height and thickness of the Locking Edge Rails shown are minimum dimensions. The actual configuration of the Locking Edge Rails and matching strip seal may vary from manufacturer to manufacturer. Flanged edge rails will not be allowed.

Locking Edge Rails may be spliced at slope discontinuities and stage construction joints and shall be galvanized.

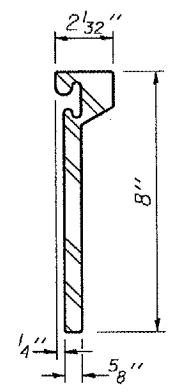
The manufacturer's recommended installation methods shall be followed.

The joint opening and deck dimensions detailed are based on the original superstructure plans. For the strip seal joint, the opening and deck dimensions shall be modified according to the dimensions detailed on this sheet. Required modifications shall be made at no additional cost to the State.

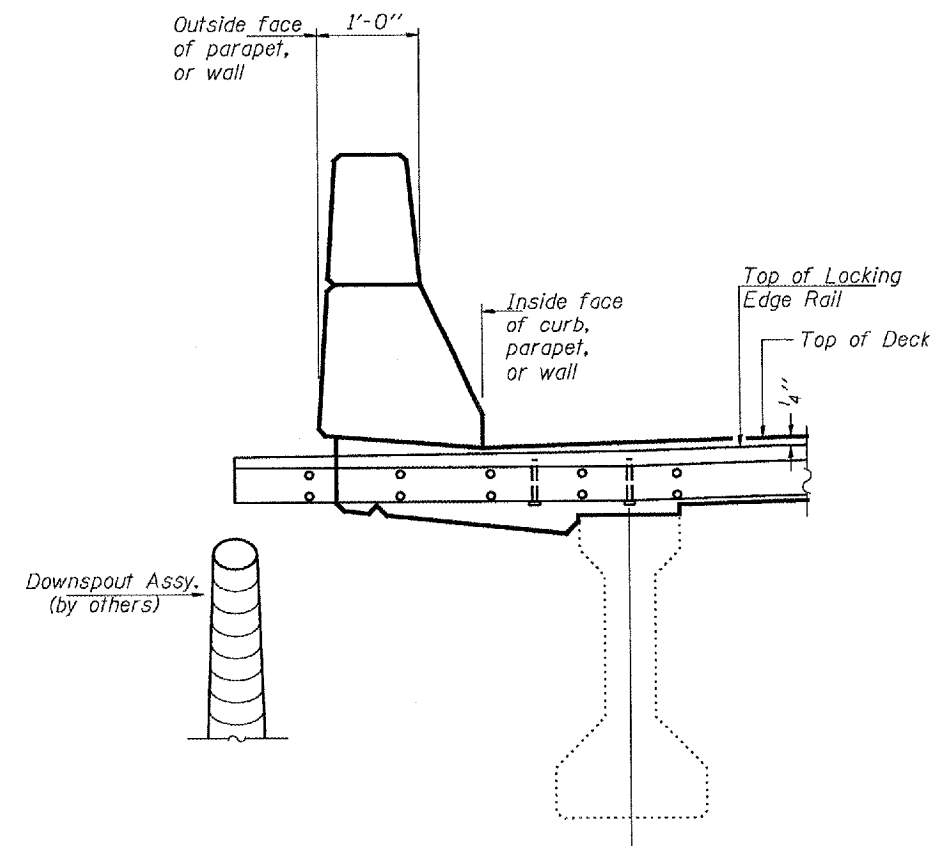


LOCKING EDGE RAIL SPLICE

** The inside of the locking edge rail groove shall be free of weld residue.



ROLLED (EXTRUDED) LOCKING EDGE RAIL



AT CURB, PARAPET, OR WALL

ITEM	UNIT	TOTAL
Strip Seal Expansion Joint Assembly	Foot	202

NOTE

The recommended replacement seal shall be Wabo Strip Seal System SE300 series with Type F anchorage made by Watson-Bowman Galvanize Anchorage, or D.S. Brown Shelflex 55PA galvanized rail with L2-400 sealing element.

PLOT DATE
FILE NAME
PLOT SCALE
REFERENCE

REVISIONS	
NAME	DATE

ILLINOIS DEPARTMENT OF TRANSPORTATION

EXPANSION JOINT REPLACEMENT DETAIL

SCALE: VERT. DATE 05-05-2005

DRAWN BY CEJ
CHECKED BY