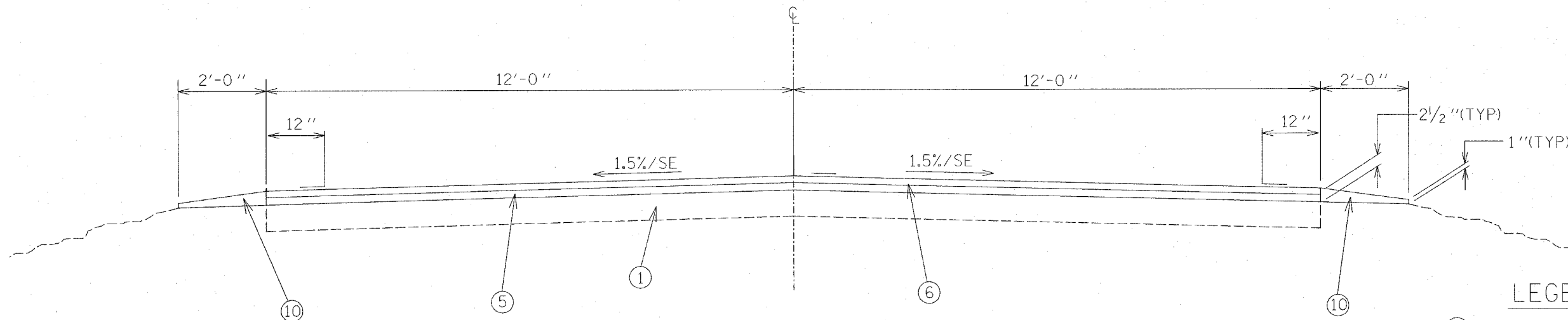


F.A. RTE.	SECTION	COUNTY	TOTAL SHEETS	SHEET NO.
•	••	MASON	66	18
STA.		TO STA.		
FED. ROAD DIST. NO.	ILLINOIS	FED. AID PROJECT		
■ PARK ROADS ■ SAND RIDGE STATE FOREST INTERNAL ROADS 2004				



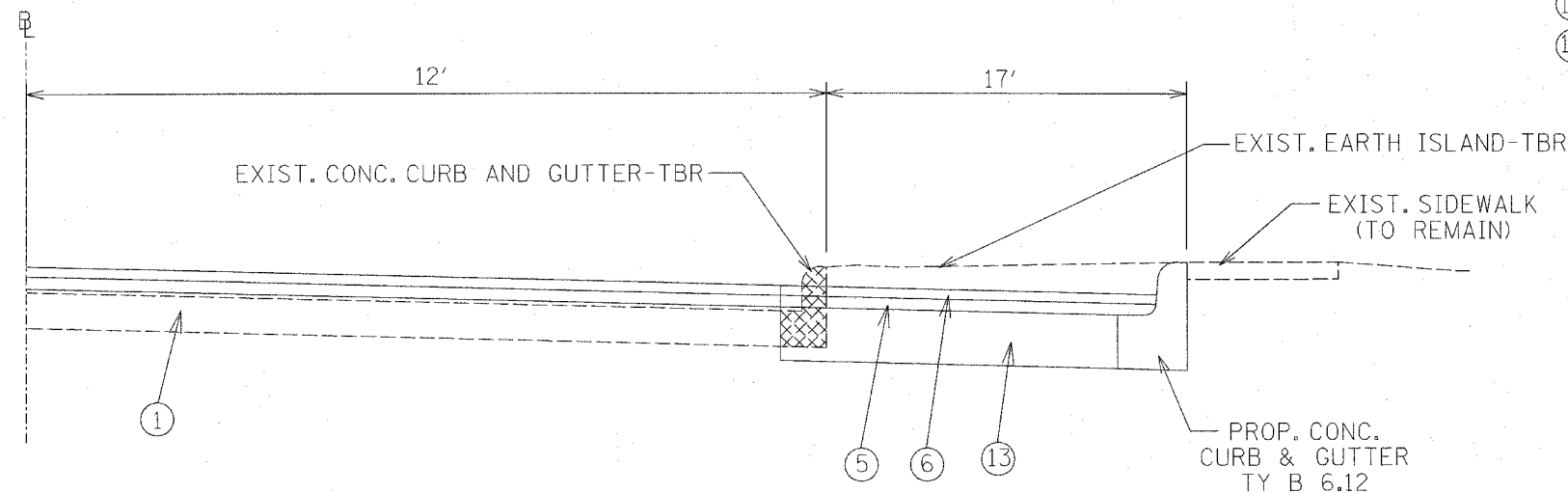
JAKE WOLF FISH HATCHERY RD.
STA. 13+25.77 TO STA. 60+02.96

NOTE: SEE PLAN SHEETS FOR FISH HATCHERY PARKING LOT DETAILS.
STA. 1+25 TO STA. 13+25.77

(MATCH EXISTING CROSS-SLOPES OR AS DIRECTED BY THE ENGINEER)
NOTE : RESURFACING SHALL INCLUDE GUTTER FLAG AREAS

LEGEND

- ① EXIST. AGG. BASE WITH BIT. CONCRETE SURFACE
- ② EXIST. SAND / AGG. BASE WITH OIL & CHIP SURF.
- ③ EXIST. SAND BASE
- ④ EXIST. AGG. BASE
- ⑤ PROP. LEVELING BINDER, 1"
- ⑥ PROP. BIT. CONCRETE SURF. CSE., 1 1/2"
- ⑦ PROP. EARTH SHOULDERS
- ⑧ PROP. AGG. SURFACE CSE., TYPE-A, 4"
- ⑨ PROP. BITUMINOUS SURFACE TREATMENT, A-3
- ⑩ PROP. AGG. SHOULDERS TYPE-B
- ⑪ PROP. SUB-BASE GRAN. MATERIAL, TYPE-B 5" (CA 02)
- ⑫ PROP. AGG. SURFACE CSE., TYPE-A 3" (CA 06)
- ⑬ PROP. BIT. BASE CSE., SUPERPAVE, 8"



JAKE WOLF FISH HATCHERY PARKING LOT - ISLAND REMOVAL DETAIL
LT STA. 5+62.01 TO LT STA. 5+73.59
LT STA. 6+34.32 TO LT STA. 6+42.13

NOTE : PREPARE SUBGRADE
SUITABLE TO PLACE
BITUMINOUS BASE CSE.

REVISIONS	
NAME	DATE

ILLINOIS DEPARTMENT OF TRANSPORTATION

TYPICAL
CROSS SECTIONS

SCALE: VERT.
HORIZ.
DATE: FEBRUARY, 2003

DRAWN BY: CRV
CHECKED BY: