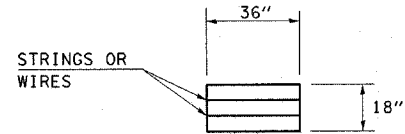
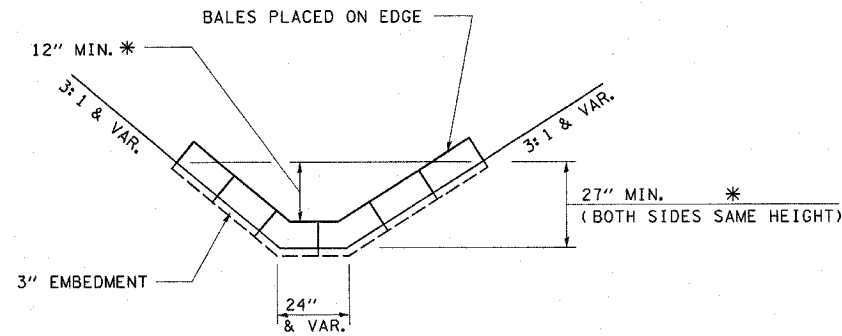


F.A. RTE.	SECTION	COUNTY	TOTAL SHEETS	SHEET NO.
*	**	MASON	96	43
STA.		TO STA.		
FED. ROAD DIST. NO.	ILLINOIS	FED. AID PROJECT		

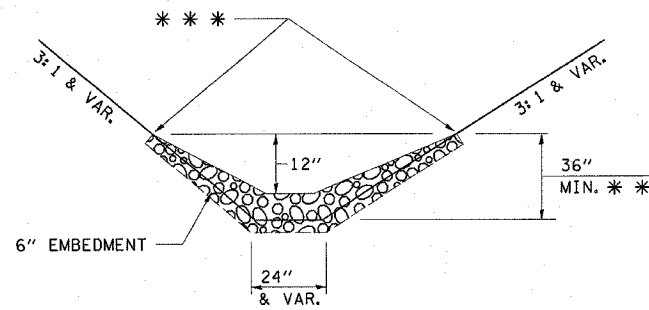
* PARK ROADS
 ** SAND RIDGE STATE FOREST INTERNAL ROADS 2004



HAY OR STRAW BALE
 (TYPICAL ELEVATION)



HAY OR STRAW BALE DITCH CHECK
 (TYPICAL)



STONE DUMPED RIPRAP DITCH CHECK
 (TYPICAL)

- * BALES SHALL EXTEND FAR ENOUGH UP THE SLOPES TO ALLOW 12" OVERTOPPING TO AVOID ERODING AROUND THE EDGES OF THE BALES.
- ** RIPRAP SHALL EXTEND FAR ENOUGH UP THE SLOPES TO ALLOW 12" OVERTOPPING TO AVOID ERODING AROUND THE EDGES OF THE RIPRAP.
- *** ENDS SHALL BE TIED INTO SLOPES.

LEGEND

(FOR THE STORM WATER POLLUTION PREVENTION PLAN SHEETS)

ITEM	SYMBOL
AGGREGATE (EROSION CONTROL) [STONE DUMPED RIPRAP DITCH CHECKS (Height = 24")]	
TEMPORARY DITCH CHECKS (HAY OR STRAW BALE DITCH CHECKS OR APPROVED SUBSTITUTION)	
INLET PIPE PROTECTION (I&PP)	
EROSION CONTROL FENCE	
EARTH EXCAVATION FOR EROSION CONTROL (SEDIMENT BASINS)	
HEAVY DUTY EXCELSIOR BLANKET	
PRESERVE EXISTING TREES, WOODLANDS, AND UNDERSTORY (OUTSIDE CONSTRUCTION LIMITS)	
ITEM PLACED AT BEGINNING OF CONSTRUCTION (Requirement)	* ITEM *
ITEM PLACED AS DIRECTED BY ENGINEER (When required by situation)	ITEM
DIRECTION OF OVERLAND FLOW	

NOTE: All items shall be constructed as shown on this sheet, on Standard 280001, and as directed by the Engineer.

The symbology on the STORM WATER POLLUTION PREVENTION PLAN sheets does not represent the size or quantity of bales, for number of bales refer to details and notes shown on this sheet and/or as directed by the Engineer.

REVISIONS	
NAME	DATE

ILLINOIS DEPARTMENT OF TRANSPORTATION
**STORM WATER POLLUTION
 PREVENTION PLAN**

SCALE: VERT. _____
 HORIZ. _____

DATE _____ DRAWN BY _____
 CHECKED BY _____