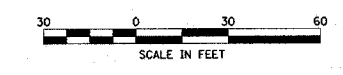
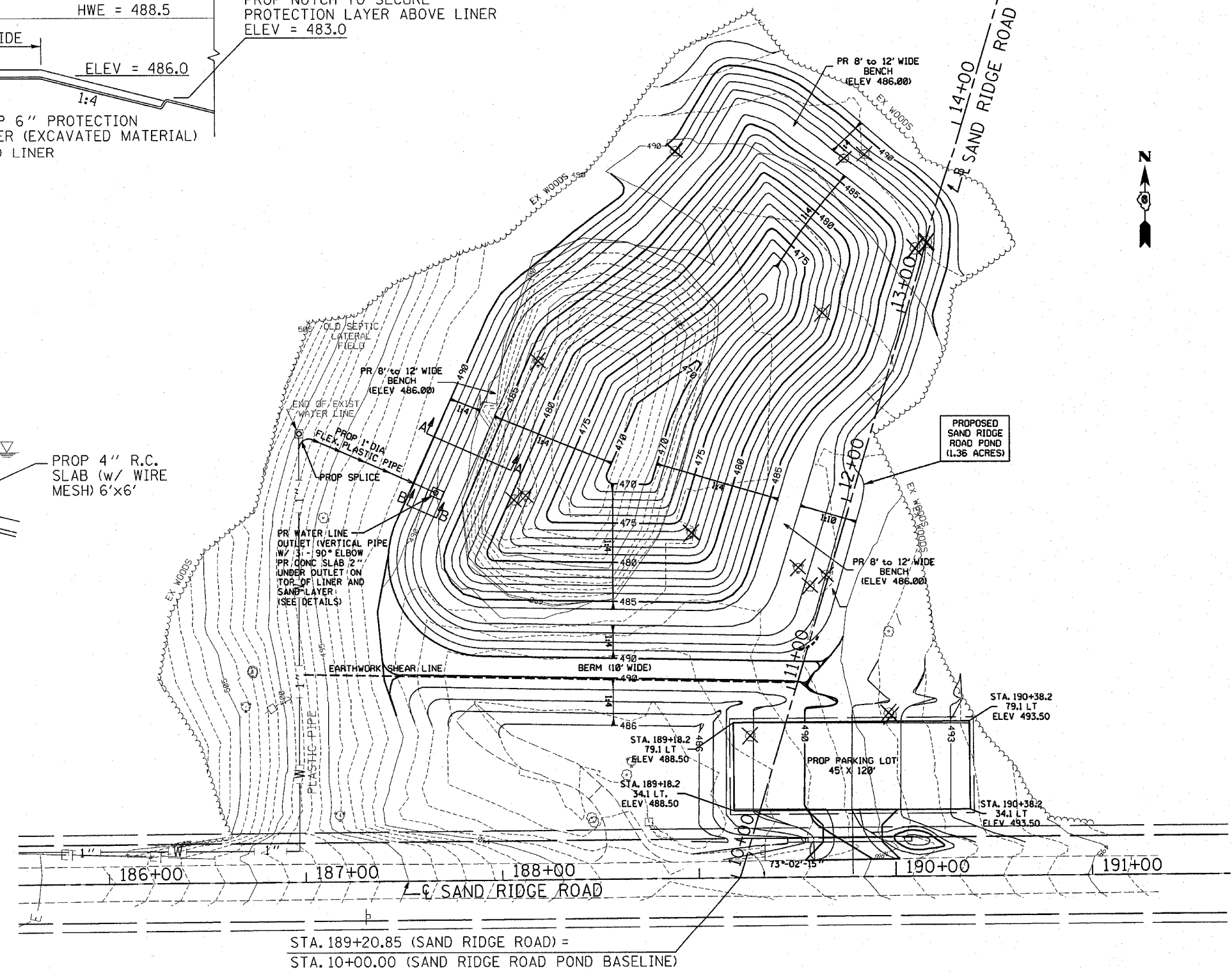
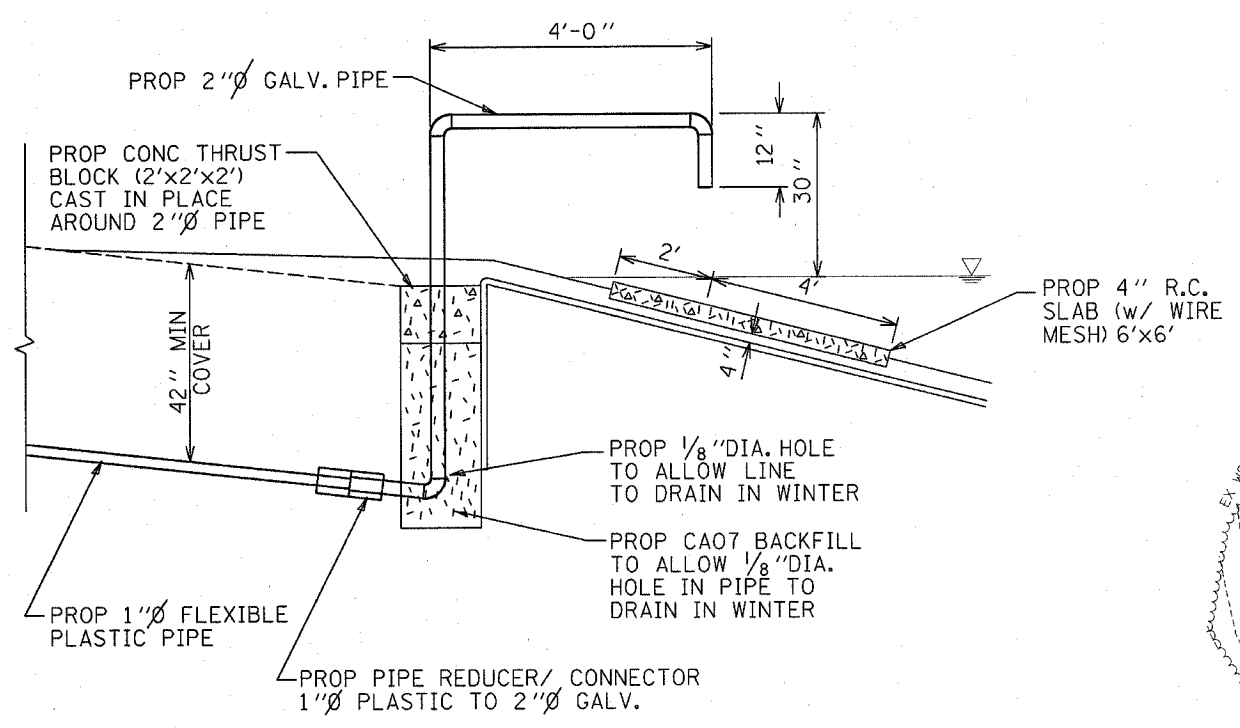
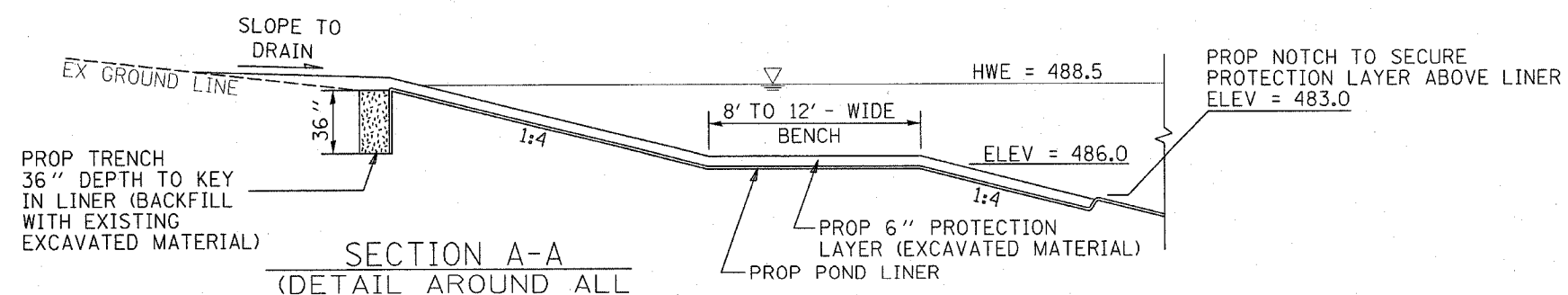


F.A. RTE.	SECTION	COUNTY	TOTAL SHEETS	SHEET NO.
•	••	MASON	86	49
STA.		TO STA.		
FED. ROAD DIST. NO.		ILLINOIS FED. AID PROJECT		
• PARK ROADS •• SAND RIDGE STATE FOREST INTERNAL ROADS 2004				



REVISIONS	
NAME	DATE

ILLINOIS DEPARTMENT OF TRANSPORTATION

BORROW SITE DETAILS

SAND RIDGE ROAD BORROW SITE

(FUTURE POND)

SCALE: VERT. HORIZ.
DATE

DRAWN BY
CHECKED BY