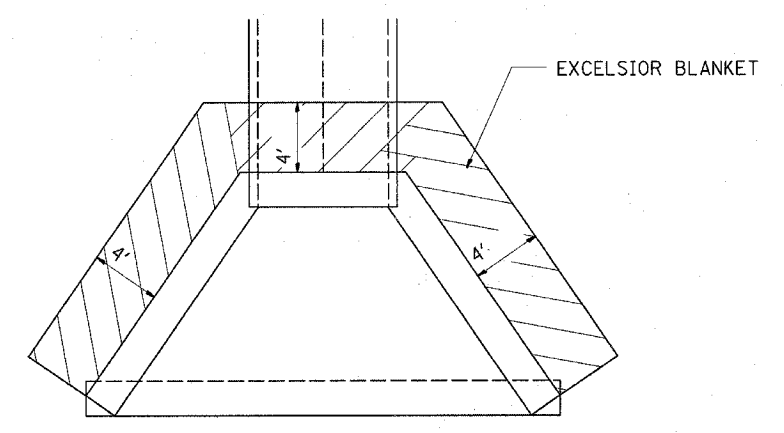
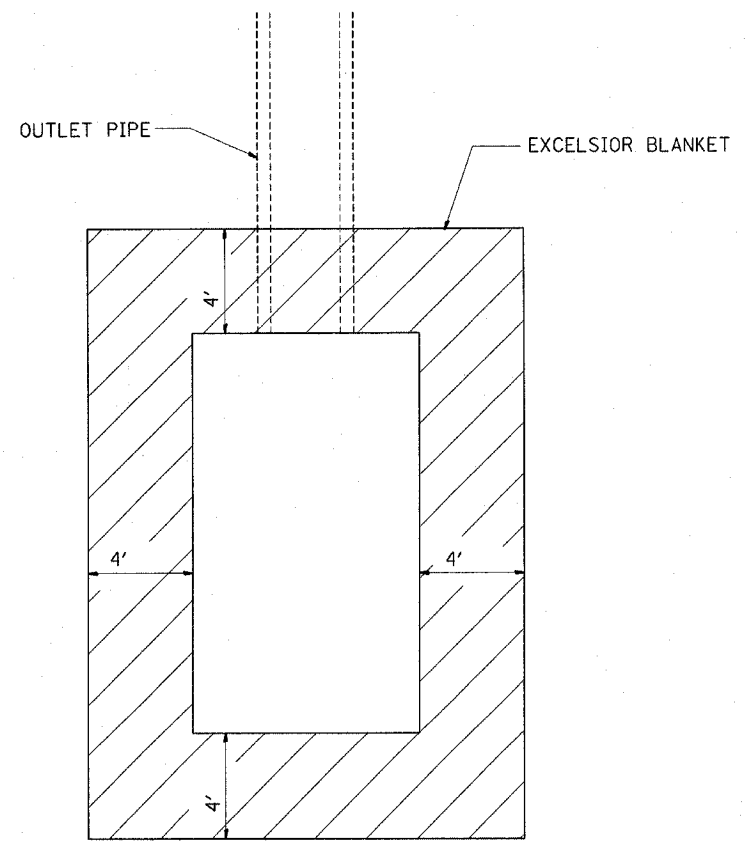


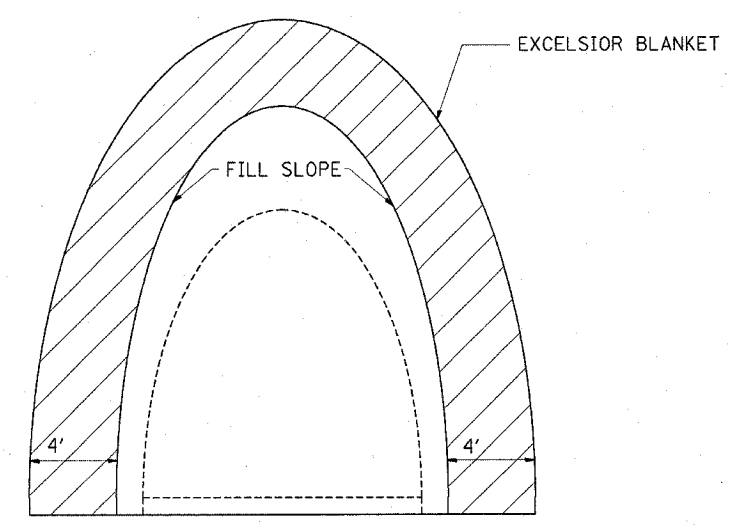
EXCELSIOR BLANKET AROUND
MANHOLE, TYPE A
W/TYPE 1 FRAME, CLOSED LID



EXCELSIOR BLANKET AROUND
HEADWALLS & CULVERT WINGWALLS



EXCELSIOR BLANKET AROUND
HEADWALL FOR PIPE UNDERDRAIN
STD 601101



EXCELSIOR BLANKET AROUND
FLARED END SECTION
STD 542301

REVISIONS	
NAME	DATE

ILLINOIS DEPARTMENT OF TRANSPORTATION
**HEAVY DUTY EXCELSIOR BLANKET
DETAILS**

SCALE: VERT. _____
HORIZ. _____

DATE _____

DRAWN BY _____
CHECKED BY _____