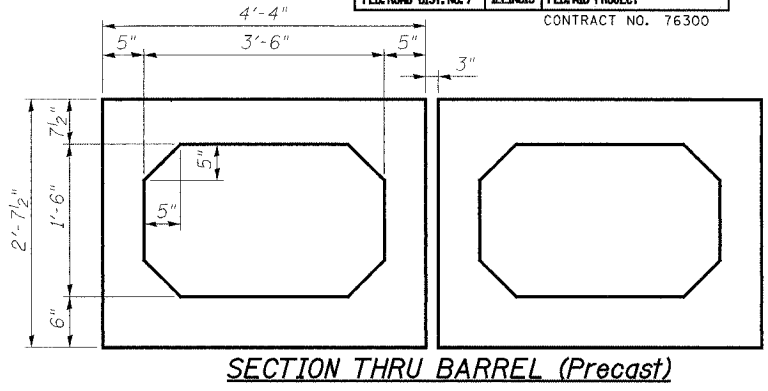
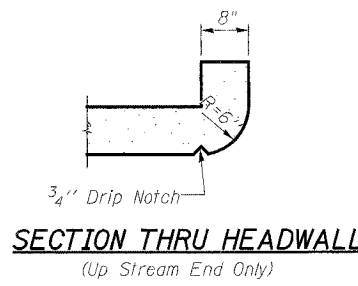
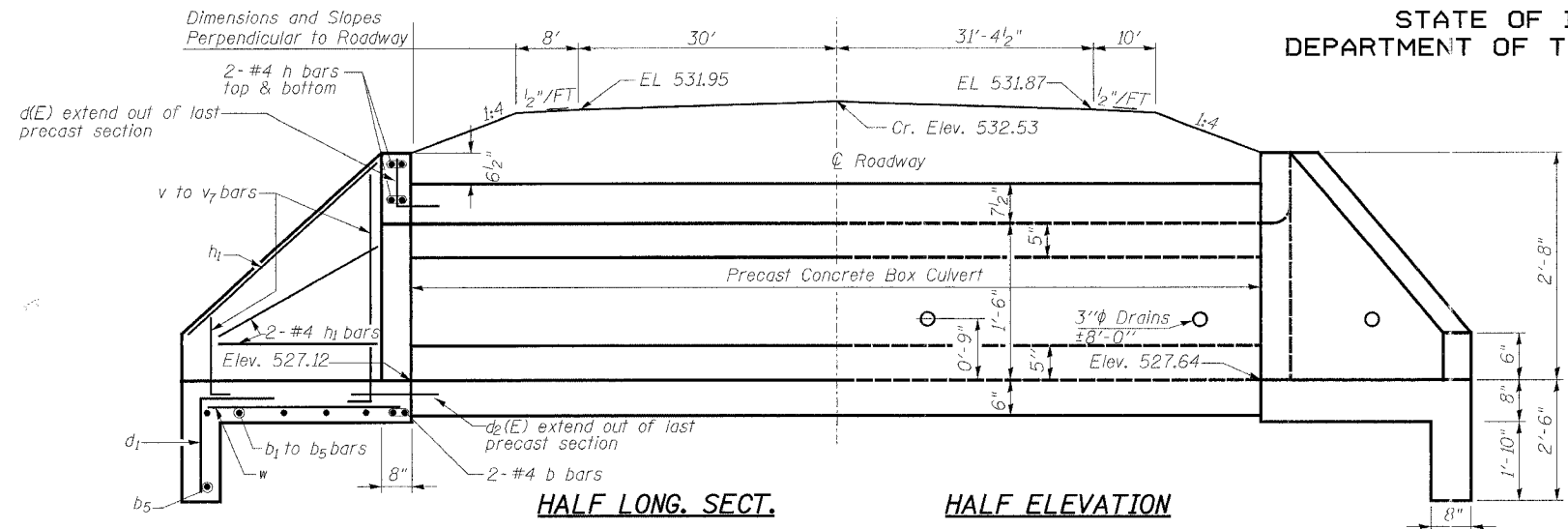
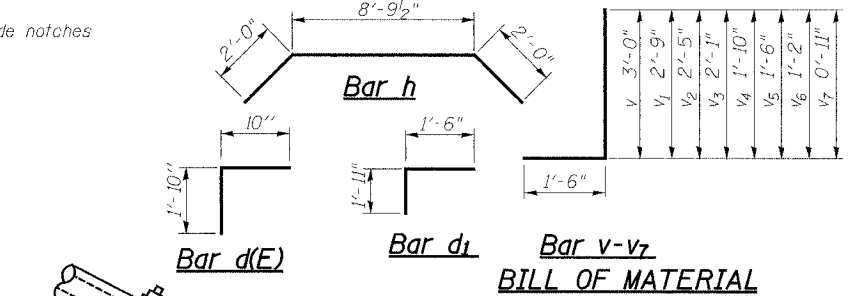
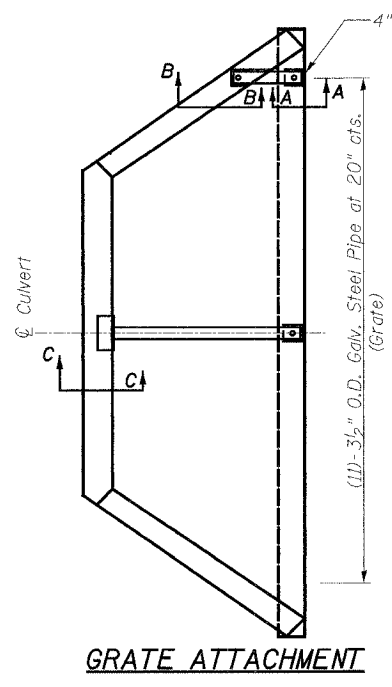
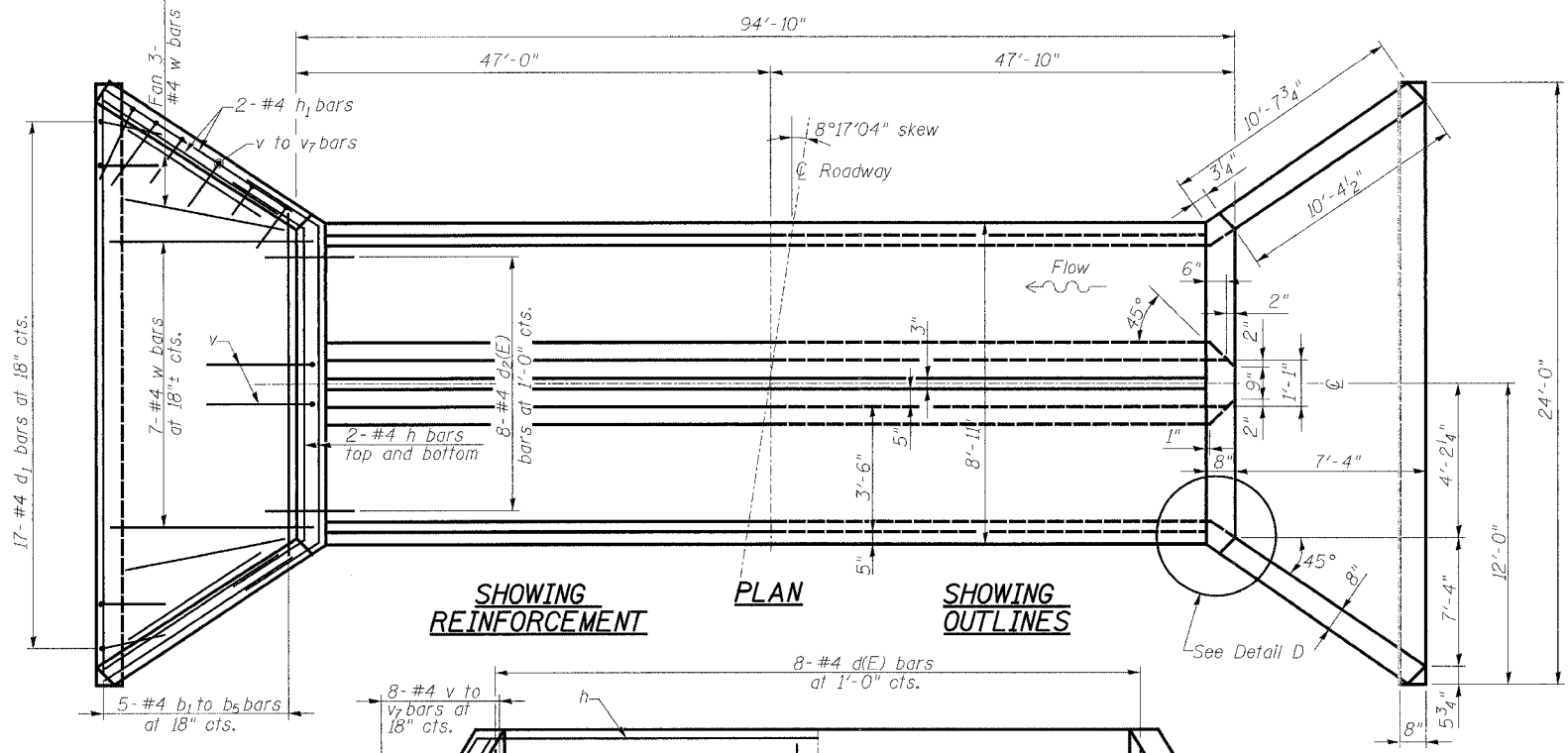


STATE OF ILLINOIS
DEPARTMENT OF TRANSPORTATION

ROUTE NO.	SECTION	COUNTY	MILE	POST	SHEET NO. 1
F.A.P. 103	27-1R	ST. CLAIR	382	198	1 SHEETS
FED. ROAD DIST. NO. 7	ILLINOIS	FED. AID PROJECT-			
CONTRACT NO. 76300					

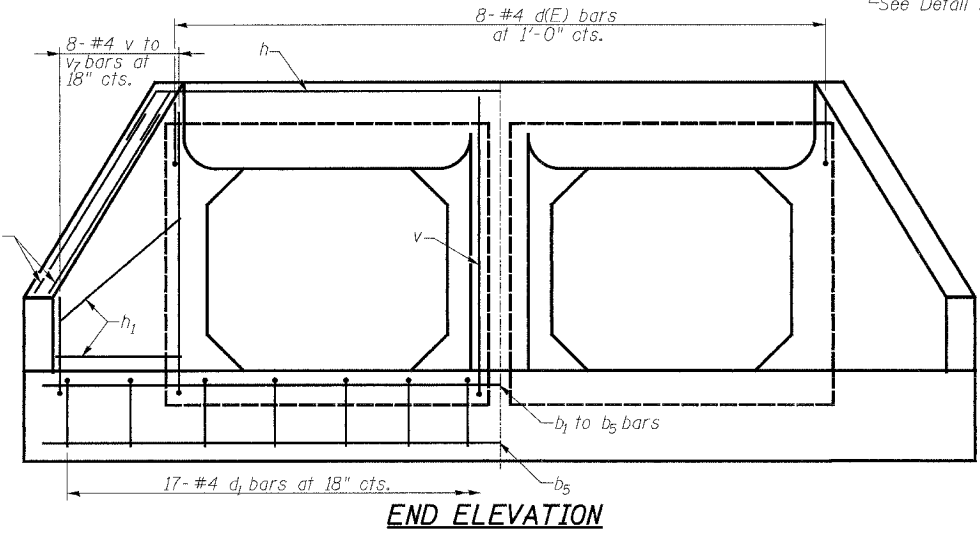
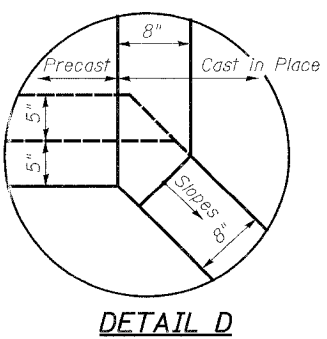
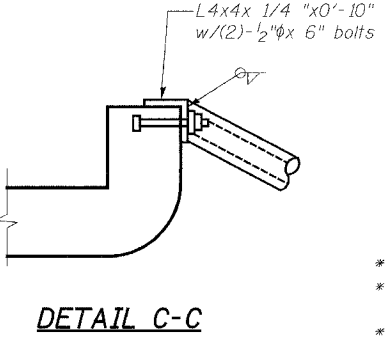
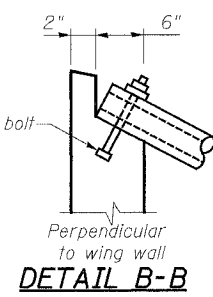
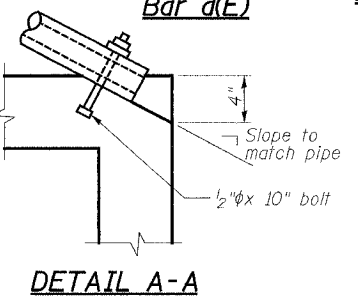


*3" nominal space shall be left between adjacent precast sections. After the precast cells are in place and backfill has been placed to midheight of the precast concrete box section on each side, the space between the cells shall be filled with Class SI Concrete. Class SI Concrete cast-in-place between adjacent cells will not be measured for payment.



BILL OF MATERIAL

Bar	No.	Size	Length	Shape
b	4	#4	8'-10"	—
b1	2	#4	12'-0"	—
b2	2	#4	15'-0"	—
b3	2	#4	18'-0"	—
b4	2	#4	21'-0"	—
b5	4	#4	23'-8"	—
d(E)	16	#4	2'-8"	—
d1	34	#4	3'-5"	—
d2(E)	16	#4	3'-0"	—
h	8	#4	12'-9 1/2"	—
h1	16	#4	10'-4"	—
v	8	#4	4'-6"	—
v1	4	#4	4'-3"	—
v2	4	#4	3'-11"	—
v3	4	#4	3'-7"	—
v4	4	#4	3'-4"	—
v5	4	#4	3'-0"	—
v6	4	#4	2'-8"	—
v7	4	#4	2'-5"	—
w	26	#4	7'-8"	—



DESIGNED	KCM
CHECKED	TMM
DRAWN	JLM
CHECKED	TMM

Notes: Reinforcement Bars shall conform to the requirements of AASHTO M31 or M322 Grade 60. Reinforcement bars designated (E) shall be epoxy coated. All construction joints shall be bonded. Provide pipe grate each end.

Design Stresses

fy = 60,000 psi
f'c = 3,500 psi - cast in place
f'c = 5,000 psi - precast

Loading HS 20-44

Design Fill Height < 2'
AASHTO M 273

DOUBLE BOX CULVERT 3.5x1.5
IL ROUTE 13/15
F.A.P. ROUTE 103 SECTION 27-1R
ST. CLAIR COUNTY
STATION 300+82.37