

160 150 140 130 120 110 100 90 80 70 60 50 40 30 20 10 0 10 20 30 40 50 60 70 80 90 100 110 120

F.A. RTE. 103	SECTION 27-1R	COUNTY ST. CLAIR	TOTAL SHEETS 382	SHEET NO. 237
STA.		TO STA.		
FED. ROAD DIST. NO.		ILLINOIS FED. AID PROJECT		
<b>CONTRACT NO. 76300</b>				

PROP. F.A.P. 103

SPEC. DITCH LEFT  
STA. 201+00 TO 206+00  
AT +0.36 %

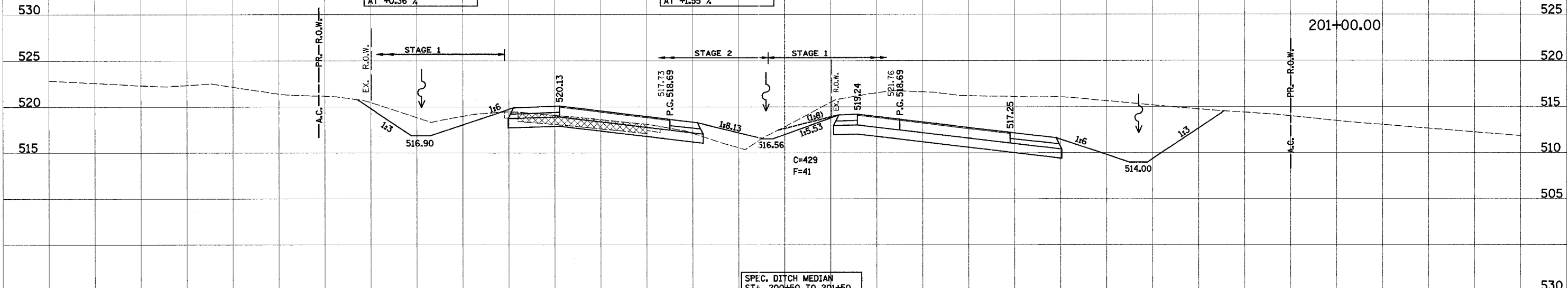
SPEC. DITCH MEDIAN  
STA. 201+00 TO 202+25  
AT +1.55 %

201+00.00

DATE	
BY	
SURVEYED	
NOTED	
AREAS	
AREAS	
AREAS	
AREAS	
AREAS	
AREAS	
AREAS	

DATE	
BY	
SURVEYED	
NOTED	
AREAS	
AREAS	
AREAS	
AREAS	
AREAS	
AREAS	

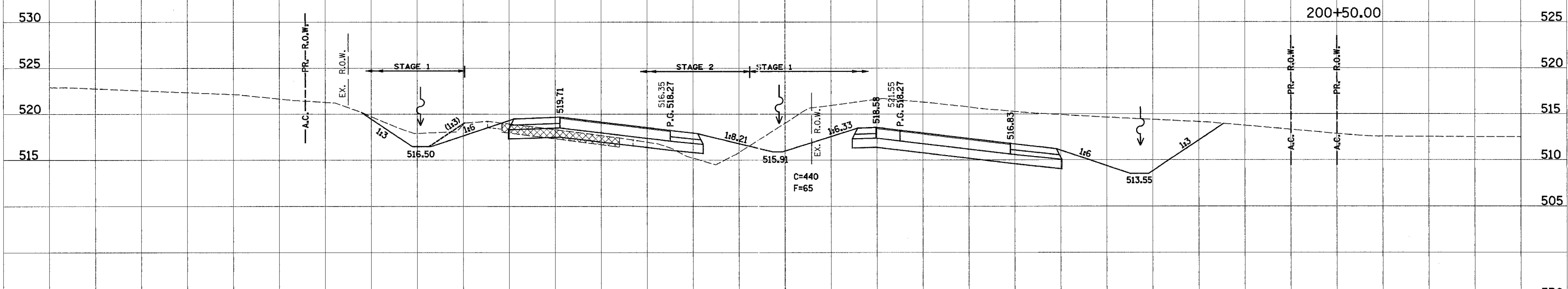
STAGE 1 STAGE 2 STAGE 1



SPEC. DITCH MEDIAN  
STA. 200+50 TO 201+50  
AT +1.29 %

200+50.00

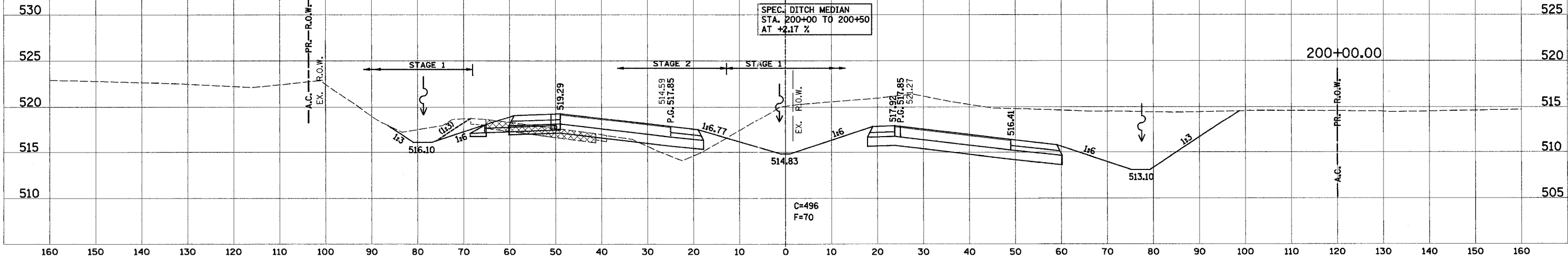
STAGE 1 STAGE 2 STAGE 1



SPEC. DITCH MEDIAN  
STA. 200+00 TO 200+50  
AT +2.17 %

200+00.00

STAGE 1 STAGE 2 STAGE 1



160 150 140 130 120 110 100 90 80 70 60 50 40 30 20 10 0 10 20 30 40 50 60 70 80 90 100 110 120 130 140 150 160