

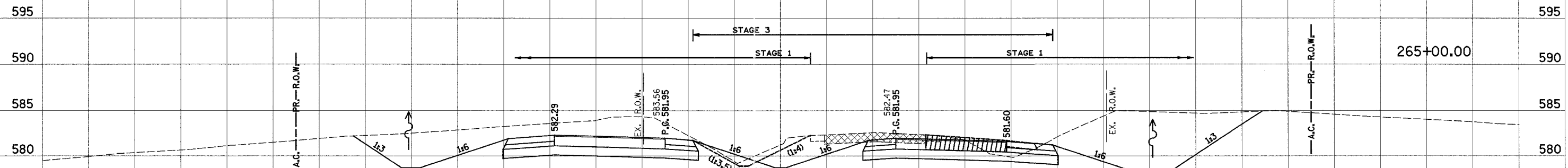
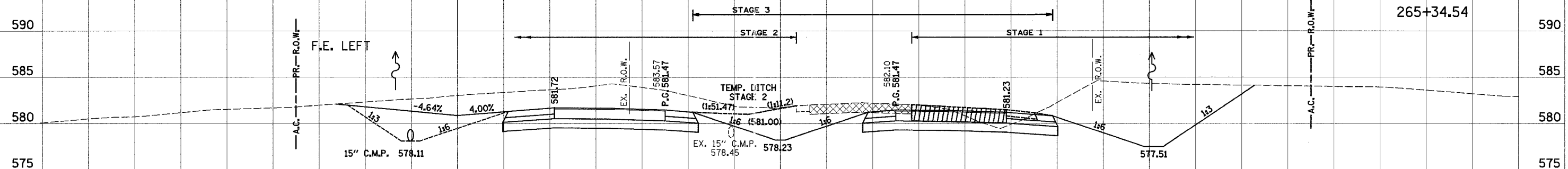
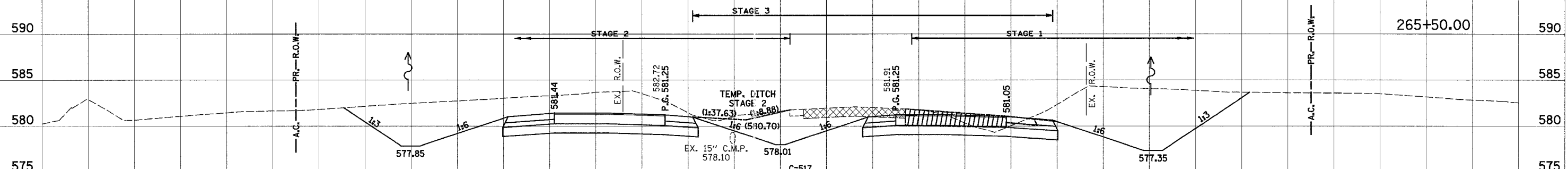
160 150 140 130 120 110 100 90 80 70 60 50 40 30 20 10 0 10 20 30 40 50 60 70 80 90 100 110 120

F.A. RTE.	SECTION	COUNTY	TOTAL SHEETS	SHEET NO.
103	27-1R	ST. CLAIR	382	300
STA. TO STA.		ILLINOIS FED. AID PROJECT		
CONTRACT NO. 76300				

PROP. F.A.P. 103

DATE	
BY	
SURVEYED	
NOTED	
TEMPLATE	
AREAS CHECKED	
NO.	

DATE	
BY	
SURVEYED	
NOTED	
TEMPLATE	
AREAS CHECKED	
NO.	



160 150 140 130 120 110 100 90 80 70 60 50 40 30 20 10 0 10 20 30 40 50 60 70 80 90 100 110 120 130 140 150 160