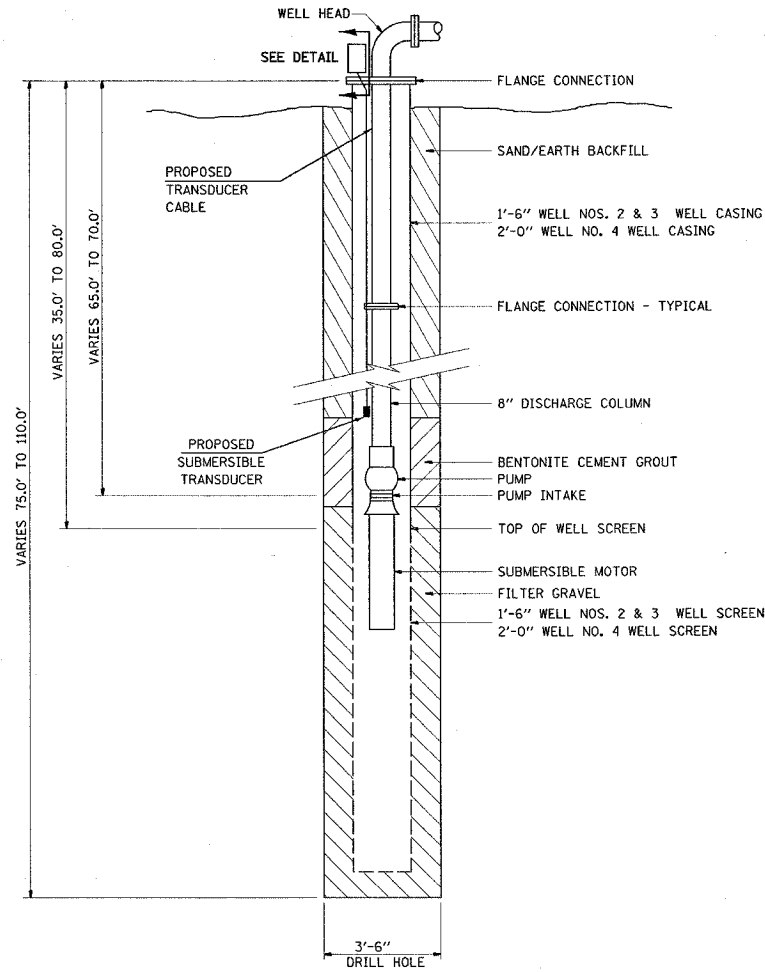
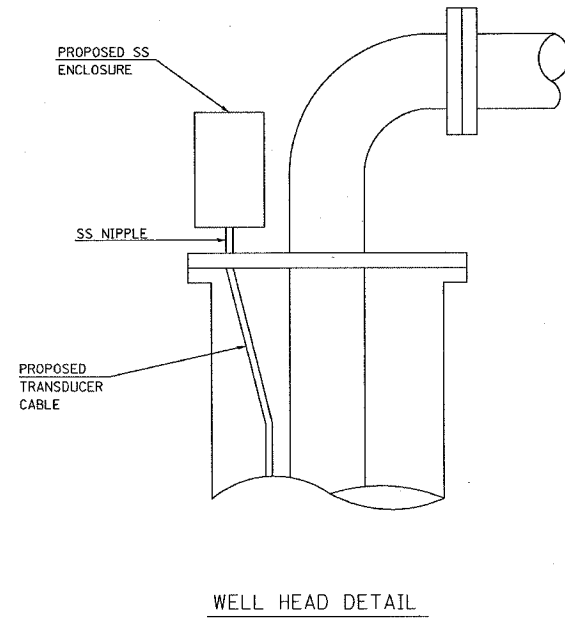


F.A.P. RTE.	SECTION	COUNTY	TOTAL SHEETS	SHEET NO.
VAR	**	VARIOUS	8	8
STA.		TO STA.		
FED. ROAD DIST. NO.		ILLINOIS FED. AID PROJECT		

** DIST 8 DEEP WELLS 2006-1

PLAN	DATE
BY	
CHECKED	
APPROVED	
NO. OF SHEETS	
NO. OF SHEETS CHECKED	
NO. OF SHEETS REMAINING	



EXISTING AND PROPOSED

NOT TO SCALE

ILLINOIS DEPARTMENT OF TRANSPORTATION
LOCATION 3
MISSOURI AVENUE WELLS
TYPICAL WELL DETAILS
 VARIOUS ROUTES
 DISTRICT 8 DEEP WELLS 2003-1
 MADISON & ST. CLAIR COUNTIES

REVISIONS	
NAME	DATE

DRAWN BY:

PLOT DATE: 7/7/2005

I:\projects\076933\pln\076933.dgn
 7/7/2005
 REF-
 REF-