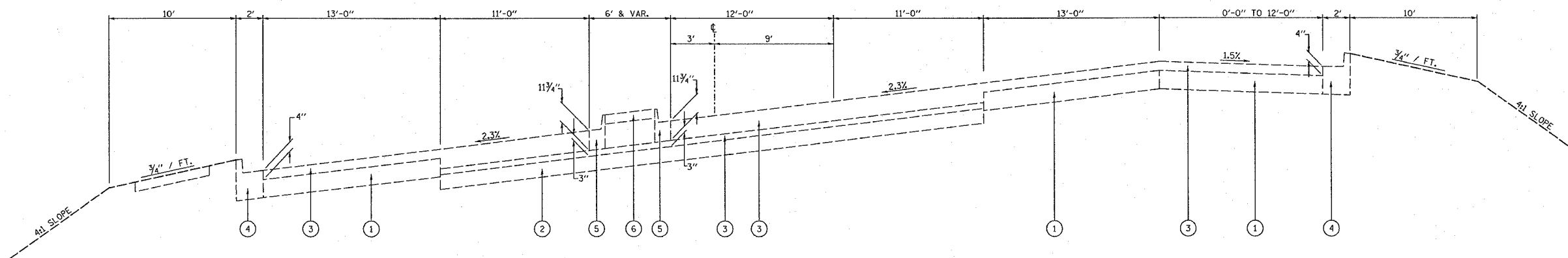


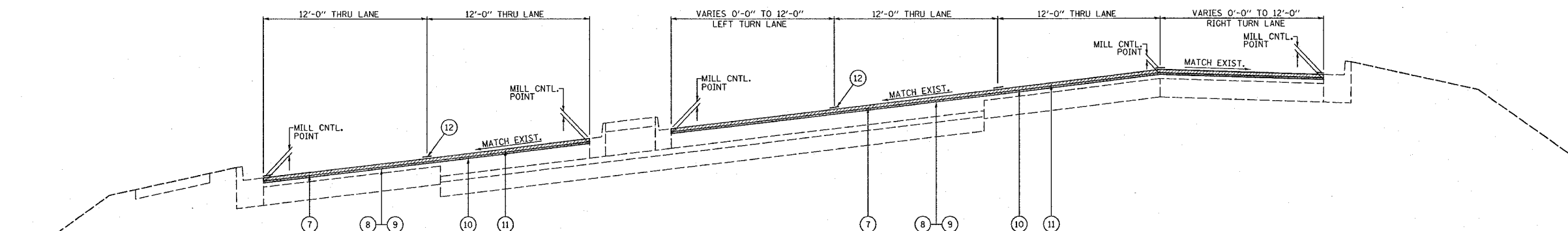
FAU RTE.	SECTION	COUNTY	TOTAL SHEETS	SHEET NO.
9128	28-RS-1	MADISON	14	4
STA.		TO STA.		
FED. ROAD DIST. NO.	ILLINOIS	FED. AID PROJECT		



**EXISTING SUPERELEVATION TYPICAL SECTION**  
289+94.21 TO 291+98.18

**LEFT TURN LANE**  
289+48 TO 291+63 E.B.  
292+60 TO 296+24 W.B.

**RIGHT TURN LANE**  
288+48 TO 290+67 E.B.  
293+64 TO 297+42 W.B.



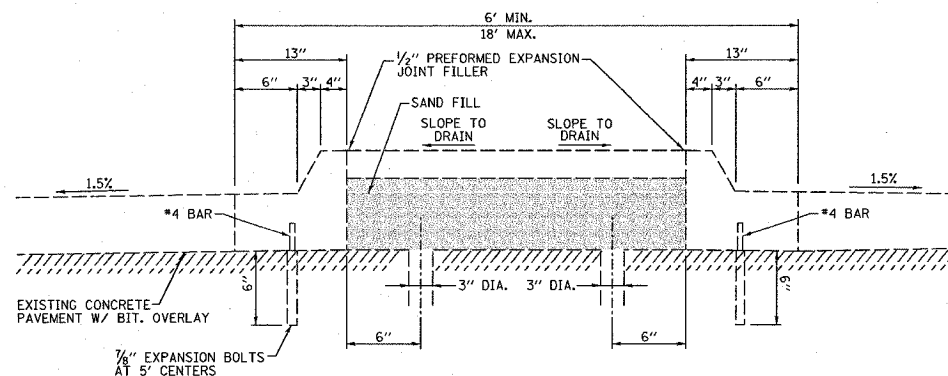
**PROPOSED SUPERELEVATION TYPICAL SECTION**  
289+94.21 TO 291+98.18

**LEFT TURN LANE**  
289+48 TO 291+63 E.B.  
292+60 TO 296+24 W.B.

**RIGHT TURN LANE**  
288+48 TO 290+67 E.B.  
293+64 TO 297+42 W.B.

**LEGEND**

- ① EXISTING P.C.C. PAVEMENT - 8"
- ② EXISTING P.C.C. PAVEMENT - 9"
- ③ EXISTING BITUMINOUS OVERLAY - VARIES 3" TO 1 1/4"
- ④ EXISTING CONCRETE COMBINATION C&G T-B 6.24
- ⑤ EXISTING CONCRETE COMBINATION C&G T-M 6.06
- ⑥ EXISTING P.C.C. MEDIAN SURFACE - 4"
- ⑦ PROPOSED BITUMINOUS SURFACE REMOVAL - 2 1/4"
- ⑧ PROPOSED BITUMINOUS MATERIAL (PRIME COAT)
- ⑨ PROPOSED AGGREGATE (PRIME COAT)
- ⑩ PROPOSED LEVELING BINDER (MIN.) - 3/4"
- ⑪ PROPOSED SURFACE COURSE - 1 1/2"
- ⑫ PROPOSED THERMOPLASTIC PAVEMENT MARKING



**DETAIL OF EXISTING P.C.C. MEDIAN & COMBINATION CONCRETE CURB AND GUTTER, TYPE M-6.06 (MODIFIED)**

REVISIONS	
NAME	DATE

ILLINOIS DEPARTMENT OF TRANSPORTATION  
**TYPICAL SECTIONS**  
FAU ROUTE 9128  
SECTION 28-RS-1  
MADISON COUNTY

SCALE: VERT.  
HORIZ.  
DATE

DRAWN BY  
CHECKED BY