

GENERAL NOTES

Reinforcement bars shall conform to the requirements of AASHTO M31, M42, or M53 Grade 60.

Layout of slope protection system may be varied in the field to suit ground conditions as directed by the Engineer.

All construction joints shall be bonded.

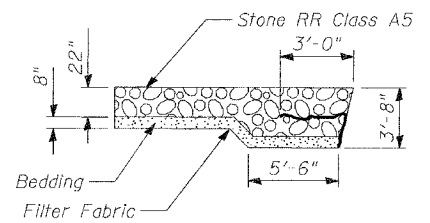
Contractor shall be responsible for the design, installation, and subsequent removal of any temporary embankment or support system as required to provide equipment access for drilled shaft installation. Cost shall be included in the unit price for Drilled Shaft in Soil, 36".

INDEX OF SHEETS

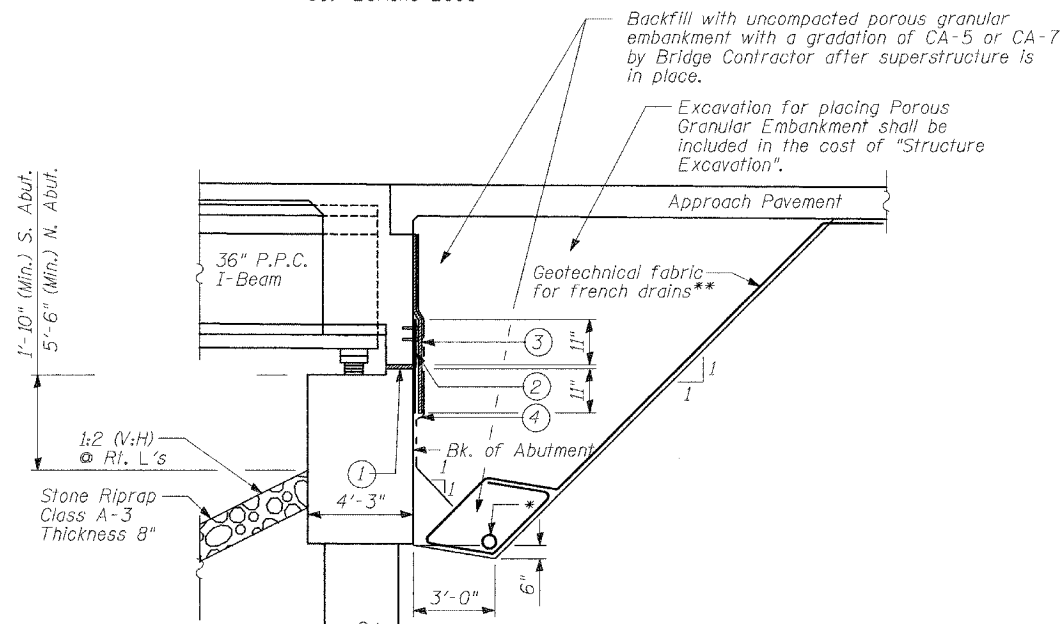
1. GENERAL PLAN AND ELEVATION
2. GENERAL NOTES / BILL OF MATERIAL
3. TOP OF SLAB ELEVATIONS LAYOUT
4. TOP OF SLAB ELEVATIONS
5. SUPERSTRUCTURE
6. SUPERSTRUCTURE DETAILS - I
7. SUPERSTRUCTURE DETAILS - II
8. RAILING DETAILS
9. STEEL DRAINAGE SCUPPER
10. FRAMING PLAN
11. BEAM DETAILS-SPAN 1
12. BEAM DETAILS-SPAN 2
13. BEAM DETAILS-SPAN 3
14. BEARING DETAILS
15. SOUTH ABUTMENT
16. SOUTH ABUTMENT DETAILS
17. NORTH ABUTMENT
18. NORTH ABUTMENT DETAILS
19. PIER 1
20. PIER 2
21. ANCHOR BOLT DETAILS
22. BAR SPLICER DETAILS
23. SOUTH APPROACH PAVEMENT
24. NORTH APPROACH PAVEMENT
25. APPROACH PAVEMENT DETAILS
26. ARCHITECTURAL DETAILS
27. SOUTH ABUTMENT RETAINING WALLS
28. NORTH ABUTMENT RETAINING WALLS
29. BORING LOGS
30. BORING LOGS

TOTAL BILL OF MATERIAL

Item	Unit	Super.	Sub.	Total
POROUS GRANULAR EMBANKMENT	CU YD		351	351
BRIDGE APPROACH PAVEMENT (SPECIAL)	SQ YD	202		202
REMOVAL OF EXISTING STRUCTURES	EACH	1		1
STRUCTURE EXCAVATION	CU YD		384	384
FLOOR DRAINS	EACH	6		6
CONCRETE STRUCTURES, SPECIAL	CU YD		161.6	161.6
CONCRETE SUPERSTRUCTURE	CU YD	195		195
BRIDGE DECK GROOVING	SQ YD	300		300
PROTECTIVE COAT	SQ YD	519		519
ELASTOMERIC BEARING ASSEMBLY, TYPE I	EACH	12		12
F&E PP CON I-BM 36"	FOOT	662		662
FURNISHING & ERECTING STRUCTURAL STEEL	POUND	551		551
REINFORCEMENT BARS	POUND		15,140	15,140
REINFORCEMENT BARS, EPOXY COATED	POUND	34130	26560	60,690
NAME PLATES	EACH	1		1
GEOCOMPOSITE WALL DRAIN	SQ YD		71	71
PIPE UNDERDRAINS, 6" (SPECIAL)	FOOT		30	30
COATING SYSTEM FOR CONCRETE	SQ FT	1627	2373	4,000
DRAINAGE SCUPPERS, DS-11	EACH	4		4
FORM LINER TEXTURED SURFACE	SQ YD		123	123
ORNAMENTAL RAILING	FOOT	230		230
BAR SPLICERS	EACH	80		80
DRILLED SHAFT IN SOIL, 36"	FOOT		322	322
ARCHITECTURAL CONCRETE	CU YD		9.7	9.7



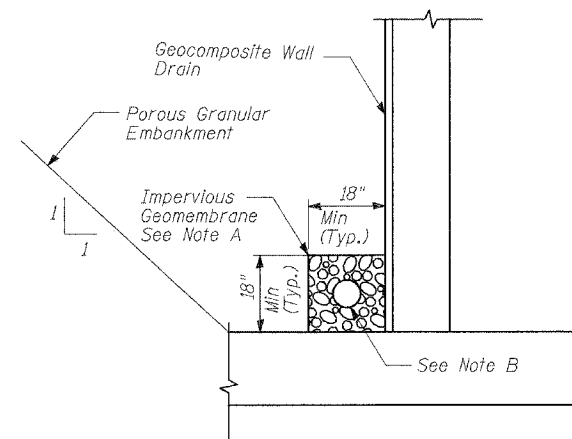
RIPRAP ANCHOR DETAIL



SECTION THRU SEMI-INTEGRAL ABUTMENT

- ** Included in the cost of "Porous Granular Embankment".
- * A 6" ϕ perforated drain pipe shall be situated at the bottom of an approximate 2'x2' area of porous granular embankment. The 2'x2' area shall be wrapped completely in geotechnical fabric for french drains. The pipe, porous granular material, and geotechnical fabric for french drains shall be included in the cost of Concrete Structures, Special. Pipes shall drain onto concrete headwalls (Article 601.05 of the Std. Specifications and Highway Std. 601101).
 - ① 2" Preformed Joint Filter (Section 1051 of the Standard Specifications) bonded to abutment cap with approved adhesive (full width of cap)
 - ② Fabric Reinforced Elastomeric Mat (See Special Provisions). Fabric mat shall be 24" wide and attached full width to the abutment cap with a 3/8" x 5" steel plate and 1/2" ϕ studs with nuts and washers at 12" cts.
 - ③ 2" Preformed Joint Filter (Section 1051 of the Standard Specifications) bonded to the superstructure (full width of cap)
 - ④ Geocomposite Wall Drain (Section 591 of the Standard Specifications - full width of cap).

Items ① ② ③ & ④ shall be included in the cost of Concrete Superstructure



SECTION THRU ABUTMENT WINGWALLS AND CANTILEVER RETAINING WALLS

Note A
Cost included with Geocomposite Wall Drain

Note B:
6" Perforated pipe drain according to Section 601 of the Standard Specifications, encased in 18" of CA-5 or CA-7 course aggregate. Cost included with Concrete Structures, Special.

STATION 138+06.55
BUILT 200 BY
VILLAGE OF LAKE BLUFF
SEC. 02-00025-00-BR
F.A.U. RT. 2758
STR. NO. 049-6803 LOADING HS20

NAME PLATE
See Std. 515001

TYLIN INTERNATIONAL

DESIGNED	- SP
CHECKED	- PF
DRAWN	- SP
CHECKED	- PF

DATE: 02-23-2005

GENERAL NOTES/BILL OF MATERIAL

MOFFETT ROAD OVER
DRAINAGE RAVINE
FAU 2758
LAKE COUNTY
S.N. 049-6803