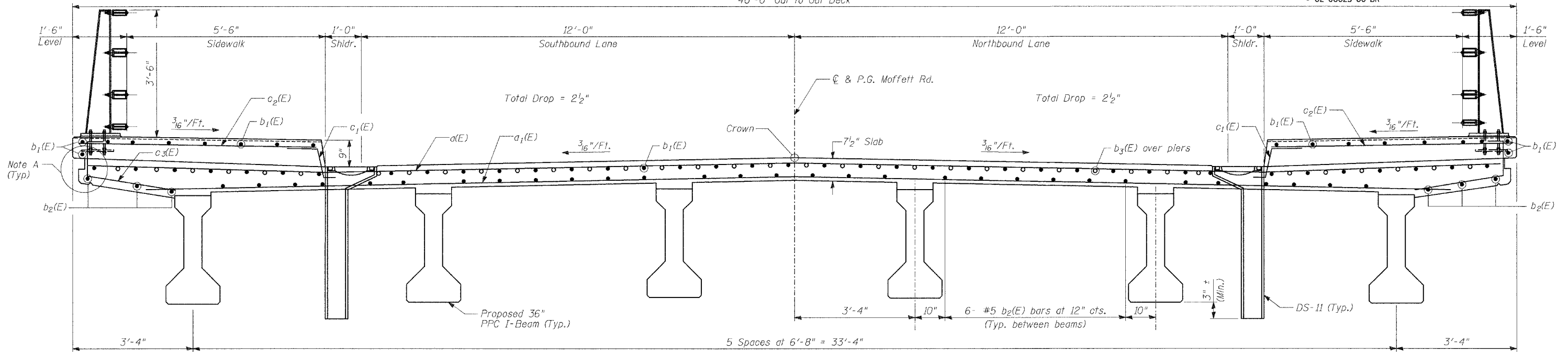


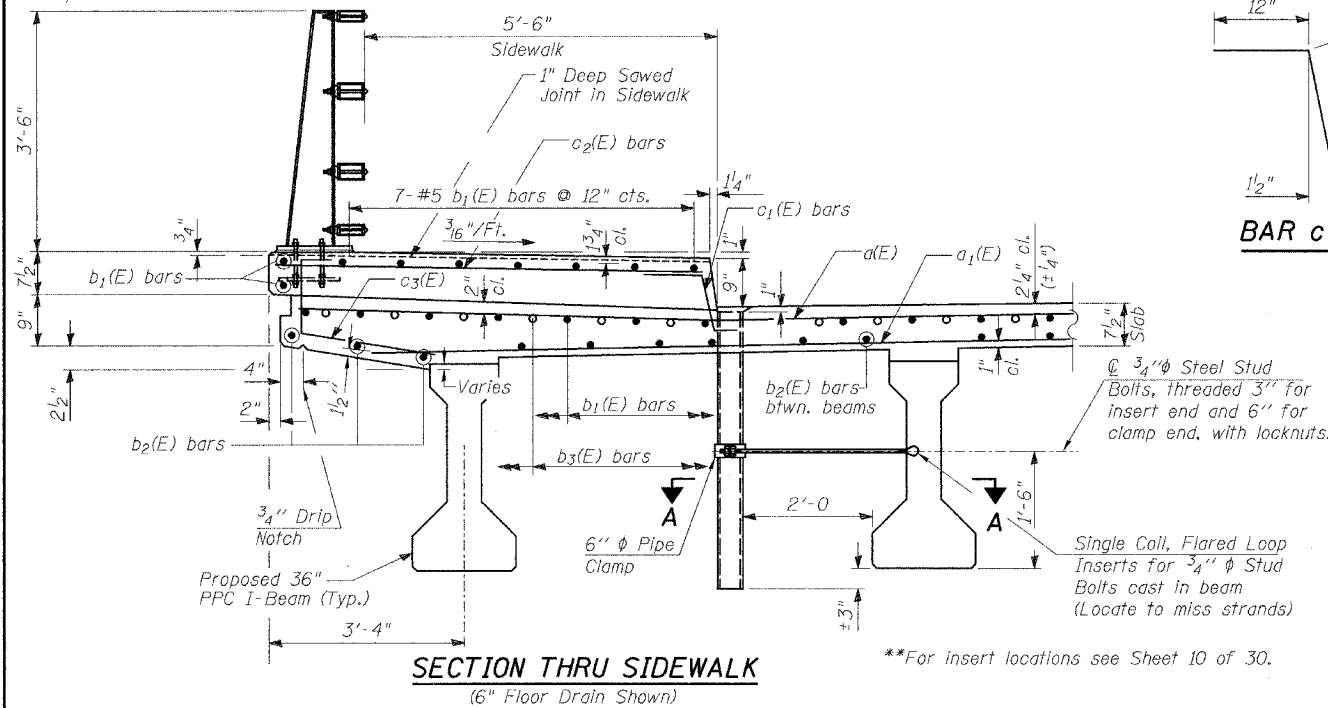
STATE OF ILLINOIS
DEPARTMENT OF TRANSPORTATION

ROUTE NO.	SECTION	COUNTY	TOTAL SHEETS	SHEET NO.	SHEET NO. - 6
2758	*	LAKE	40	16	30 SHEETS
FED. ROAD DIST. NO.	ILLINOIS	FED. AID PROJECT-	CONTRACT 83790		

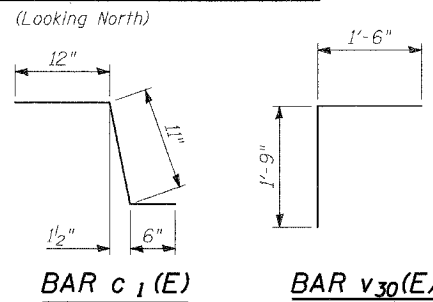
40'-0" Out to Out Deck



Note A:
For details of notch, See Sheet 26 of 30.
Cost is included with Concrete Superstructure.

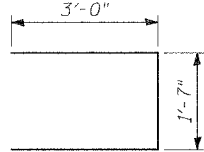


SECTION THRU SUPERSTRUCTURE

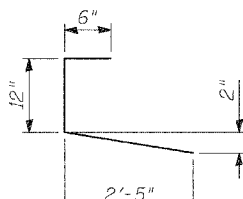


BAR c₁(E)

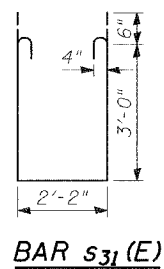
BAR v₃₀(E)



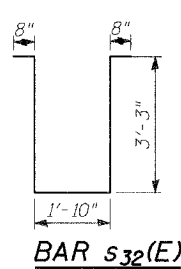
BAR s₃₀(E)



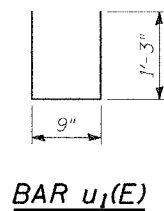
BAR c₃(E)



BAR s₃₁(E)



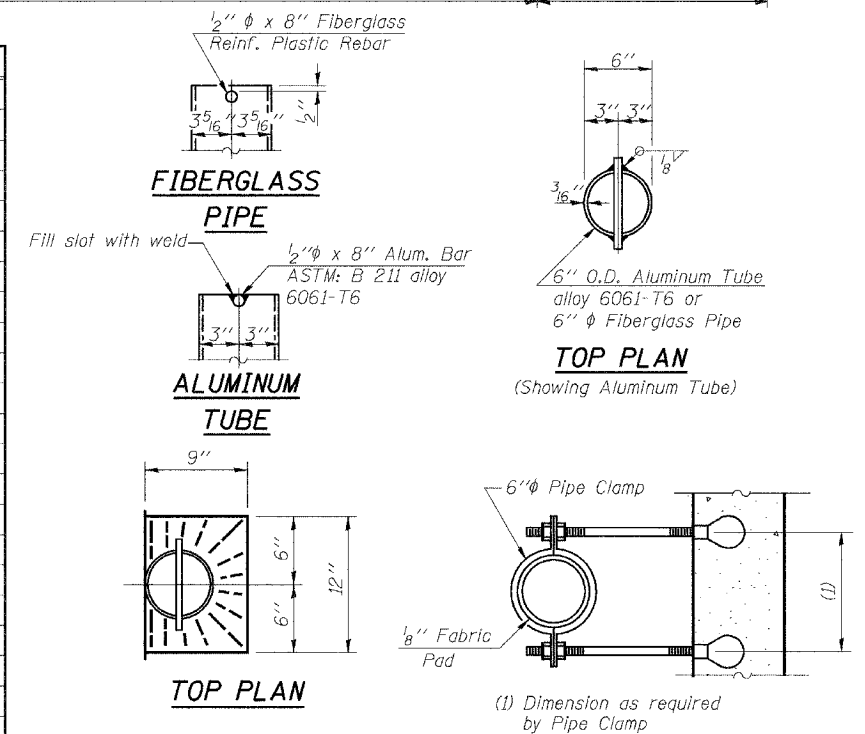
BAR s₃₂(E)



BAR u₁(E)

BILL OF MATERIAL

Bar	No.	Size	Length	Shape
a (E)	193	#5	39'-4"	
a ₁ (E)	136	#5	37'-10"	
a ₂ (E)	32	#5	1'-6"	
b ₁ (E)	232	#5	29'-8"	
b ₂ (E)	180	#5	24'-2"	
b ₃ (E)	78	#6	17'-0"	
c ₁ (E)	226	#5	2'-5"	
c ₂ (E)	226	#5	6'-8"	
c ₃ (E)	226	#5	3'-11"	
m ₁ (E)	32	#6	21'-0"	
m ₂ (E)	24	#6	8'-1"	
m ₃ (E)	40	#6	4'-10"	
m ₄ (E)	8	#6	2'-1"	
m ₁₀ (E)	40	#4	5'-10"	
m ₁₁ (E)	12	#8	5'-6"	
s ₃₀ (E)	72	#5	7'-7"	
s ₃₁ (E)	82	#4	9'-4"	
s ₃₂ (E)	70	#4	9'-8"	
u ₁ (E)	80	#5	3'-3"	
v ₃₀ (E)	80	#5	3'-3"	
Concrete Superstructure	CU YD		195	
Reinforcement Bars, Epoxy Coated	POUND		34130	
Bridge Deck Grooving	SQ YD		300	
Protective Coat	SQ YD		519	
Bar Splicers	EACH		80	



Reinforcement Bars designated (E) shall be epoxy coated.

SECTION A-A

SUPERSTRUCTURE DETAILS 1

MOFFETT ROAD OVER
DRAINAGE RAVINE
FAU 2758
LAKE COUNTY
S.N. 049-6803

TYLIN INTERNATIONAL
DESIGNED - DE SP
CHECKED - SP
DRAWN - DE
CHECKED - PF
DATE: 02-23-2005

Notes:
Fiberglass pipe shall conform to ASTM D2996, with short-time rupture strength hoop tensile stress of 30,000 p.s.i. minimum.
The exterior surfaces of the floor drains shall be coated or pigmented by the manufacturer with a color that matches the concrete.
The clamping device and inserts shall be galvanized according to AASHTO M 232.