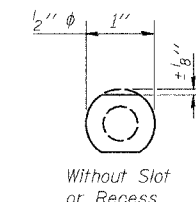
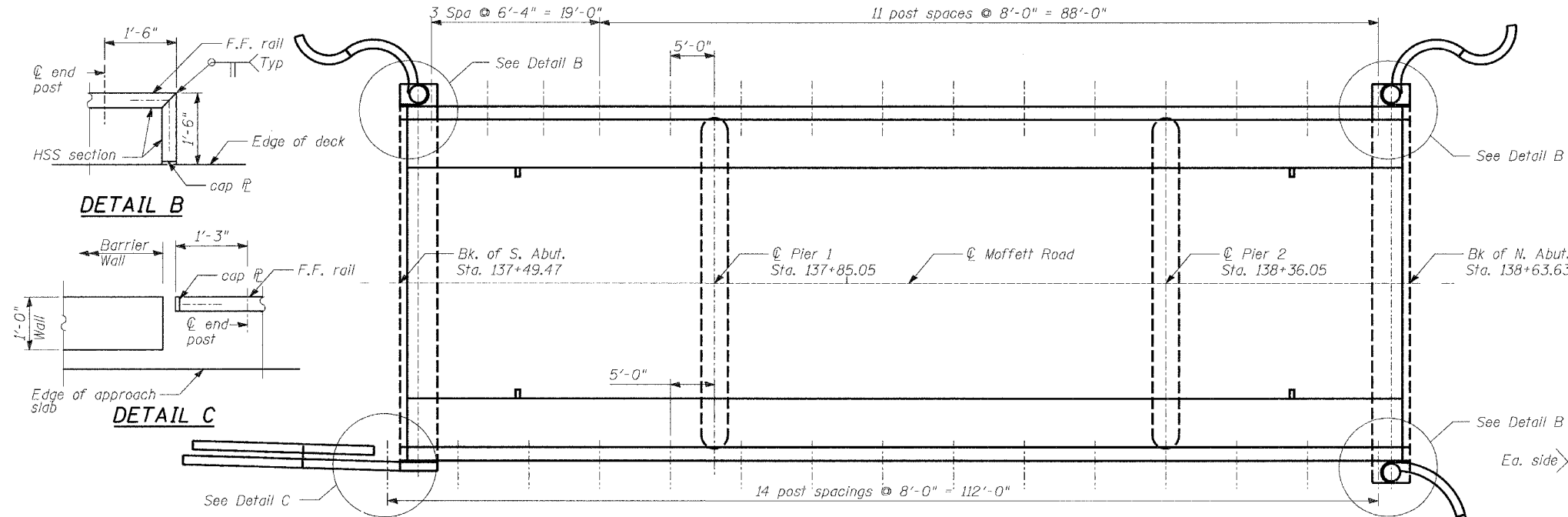


STATE OF ILLINOIS  
DEPARTMENT OF TRANSPORTATION

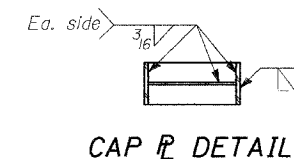
ROUTE NO.	SECTION	COUNTY	TOTAL SHEETS	SHEET NO.	SHEET NO. - 8
2758	*	LAKE	40	18	30 - SHEETS
FED. ROAD DIST. NO.	ILLINOIS	FED. AID PROJECT	CONTRACT 83790		

**NOTES**

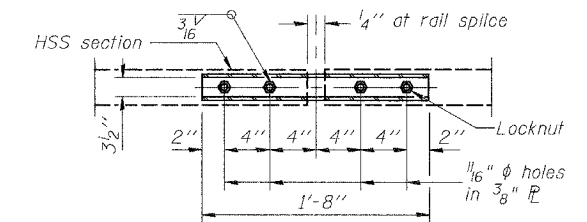
Hollow structural sections shall conform to the requirements of ASTM designation A 500, Grade B, Structural Steel Tubing and shall meet the longitudinal CVN requirements of 15 ft-lbs at 0°F. All other steel shapes and plates shall conform to the requirements of AASHTO M 270 Grade 36. Bolts, cap screws, and nuts shall conform to the requirements of ASTM designation A 307 except for high strength bolts, nuts and washers noted which shall conform to AASHTO M 164. All bolts, nuts and washers shall be galvanized according to AASHTO M11 and ASTM A385. All other rail elements including railing, posts, splices, plates and wire mesh shall be galvanized and powder coated per the Special Provisions. No field drilling of the HSS sections will be permitted. All welding shall be done in accordance with AWS D1.5 Bridge Welding Code. Use min. size unless noted. Railing shall be according to Section 509 of the Standard Specifications, except as noted, and will be paid for at the contract unit price per foot for ORNAMENTAL RAILING.



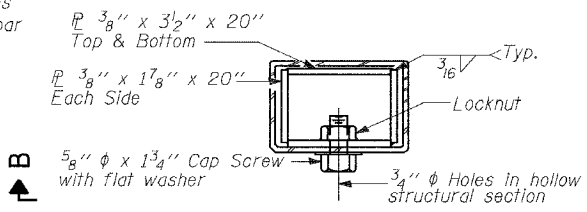
**DETAIL OF 1/2" φ ROUND HEAD BOLTS**



**CAP PLATE DETAIL**

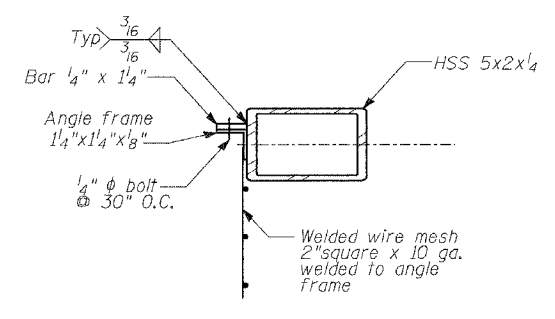


**VIEW B-B**

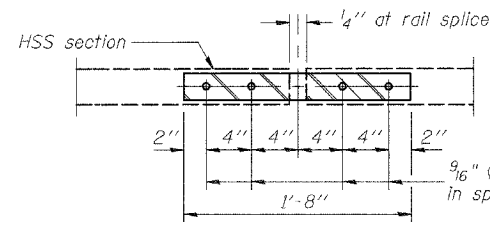


**SECTION AT RAIL SPLICE (For HSS 5x3)**

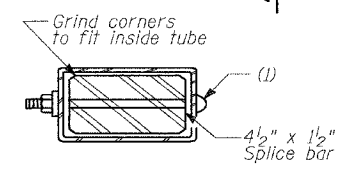
**PLAN**



**WIRE MESH CONN. AT TOP & BOT. RAIL**

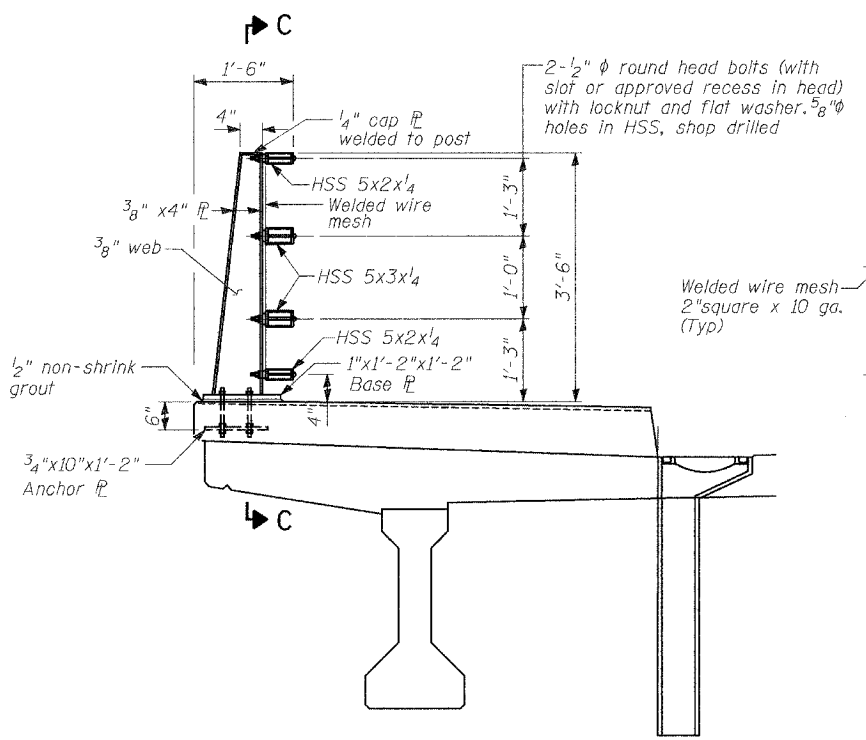


**VIEW D-D**

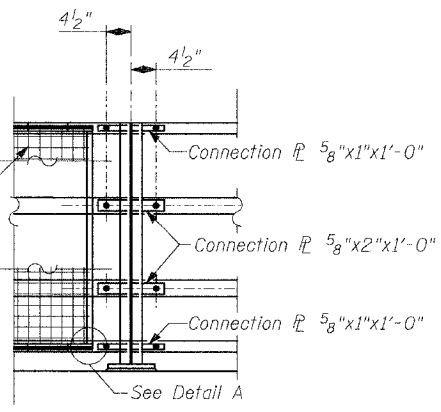


**SECTIONS AT RAIL SPLICE (For HSS 5x2)**

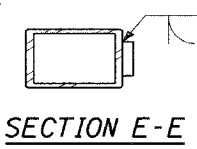
(1) 1/2" φ x 6 1/2" round head bolts (with slot or approved recess in head) with locknut and flat washer. 5/8" φ holes in HSS, shop drilled



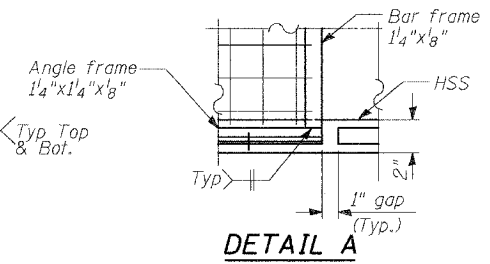
**SECTION THRU RAIL**



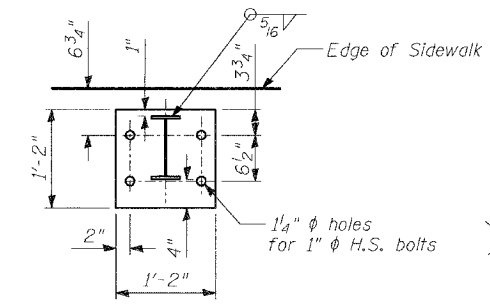
**SECTION C-C**



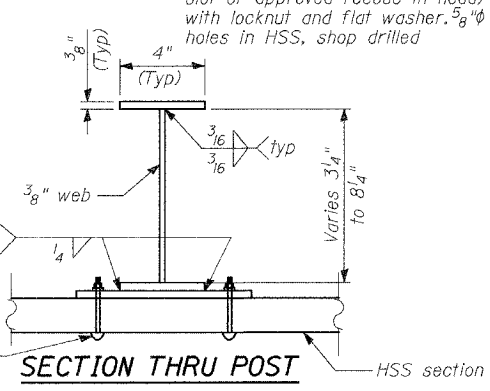
**SECTION E-E**



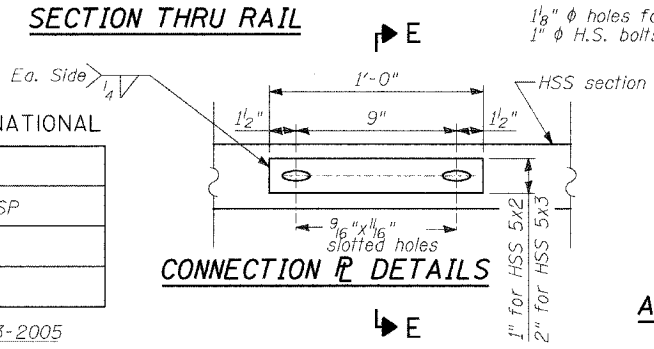
**DETAIL A**



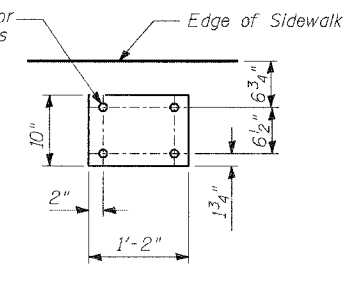
**BASE PLATE DETAILS**



**SECTION THRU POST**



**CONNECTION DETAILS**



**ANCHOR PLATE DETAILS**

**TYLIN INTERNATIONAL**

DESIGNED	- AD
CHECKED	- PF, SP
DRAWN	- SP
CHECKED	- PF

DATE: 02-23-2005

**BILL OF MATERIAL**

ITEM	UNIT	TOTAL
Ornamental Railing	Foot	230'-0"

**RAILING DETAILS**

MOFFETT ROAD OVER  
DRAINAGE RAVINE  
FAU 2758  
LAKE COUNTY  
S.N. 049-6803