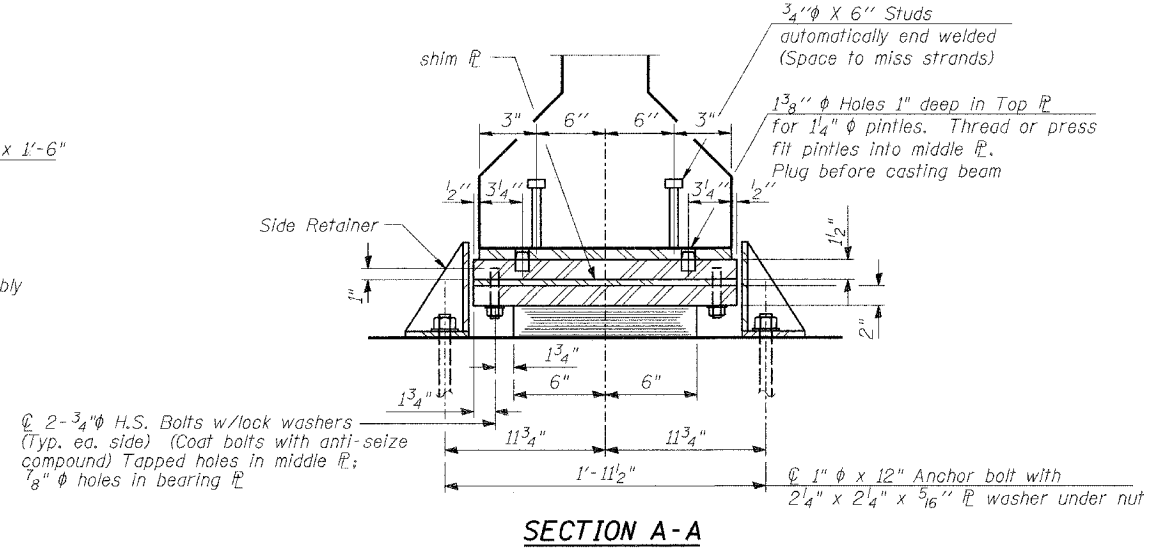
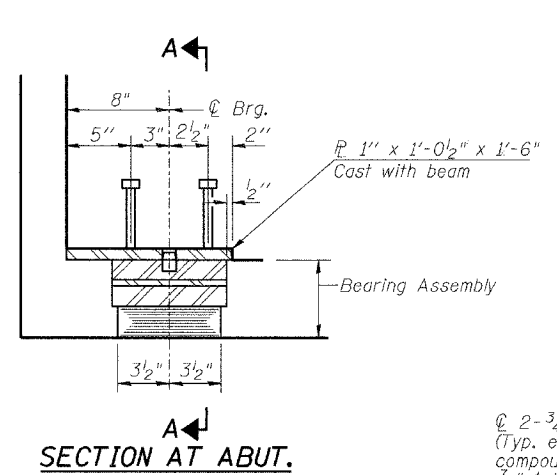


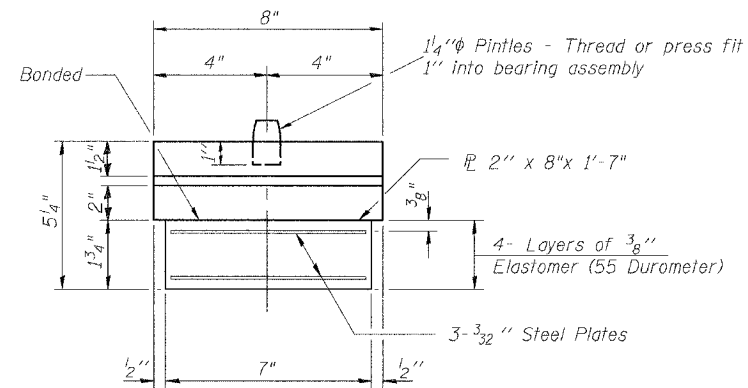
STATE OF ILLINOIS
DEPARTMENT OF TRANSPORTATION

ROUTE NO.	SECTION	COUNTY	TOTAL SHEETS	SHEET NO.	SHEET NO. -14
2758	*	LAKE	40	24	30 - SHEETS
FED. ROAD DIST. NO.	ILLINOIS	FED. AID PROJECT-	CONTRACT 83790		
• 02-00025-00-BR					



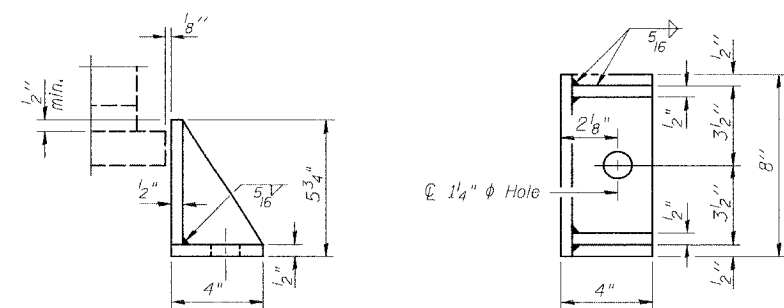
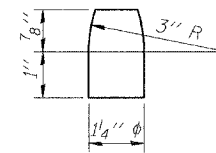
TYPE I ELASTOMERIC EXP. BRG.

Notes:
After beams have been erected holes at expansion bearings shall be drilled and anchor bolts grouted in place.
See Sheet 21 of 30 for anchor bolt installation.



BEARING ASSEMBLY

Note: Shim plates shall not be placed under Bearing Assembly.



SIDE RETAINER

Equivalent rolled angle with stiffeners will be allowed in lieu of welded plates.

BILL OF MATERIAL

Item	Unit	Total
Elastomeric Bearing Assembly, Type I	Each	12

BEARING DETAILS

MOFFETT ROAD OVER
DRAINAGE RAVINE
FAU 2758
LAKE COUNTY
S.N. 049-6803

TYLIN INTERNATIONAL

DESIGNED	- DE, SP
CHECKED	- SP
DRAWN	- SP
CHECKED	- PF

DATE: 02-23-2005