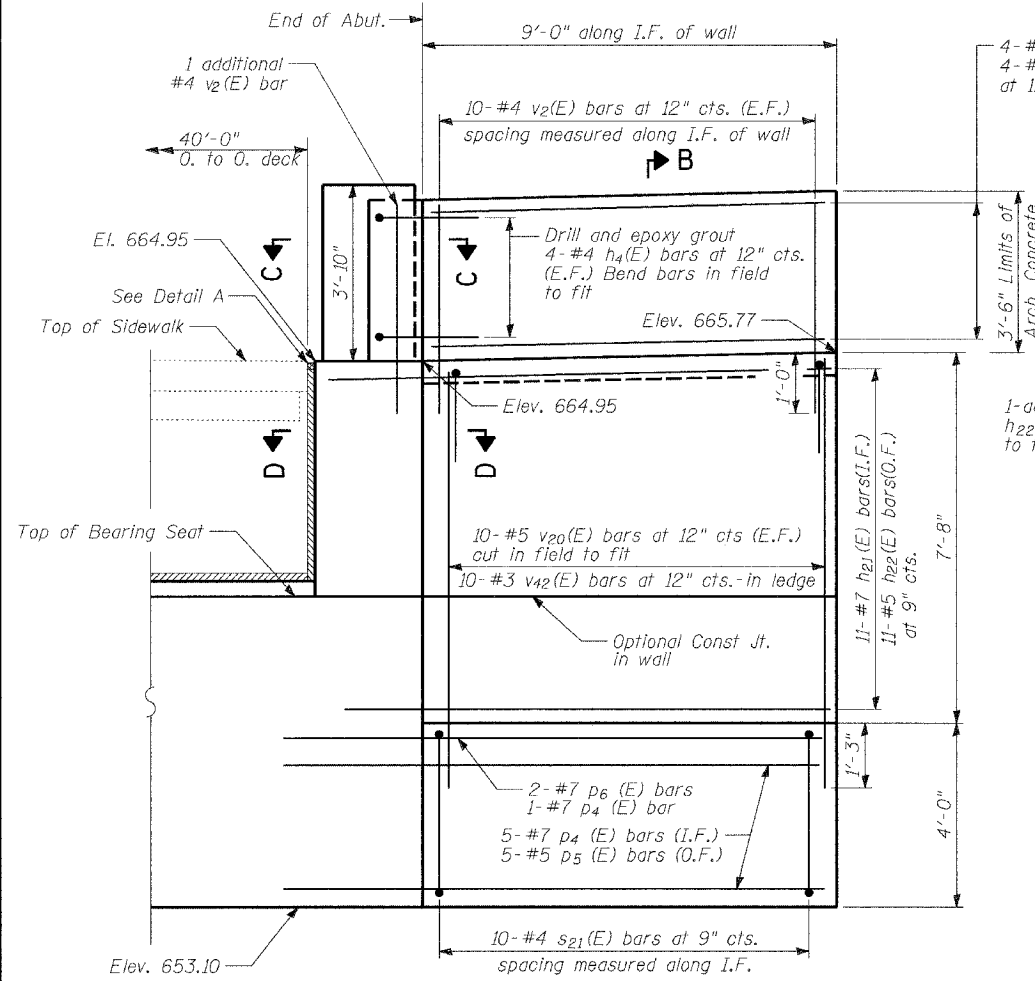


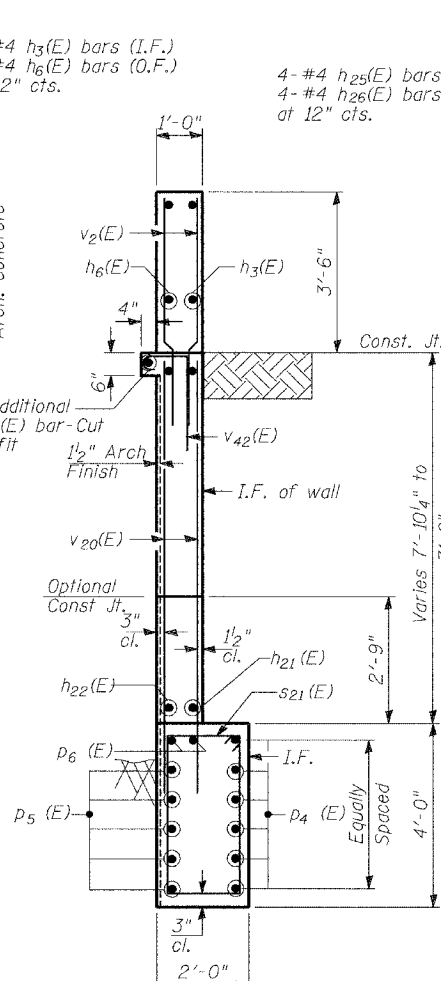
STATE OF ILLINOIS  
DEPARTMENT OF TRANSPORTATION

ROUTE NO.	SECTION	COUNTY	TOTAL SHEETS	SHEET NO.	SHEET NO. - 18
2758	*	LAKE	40	28	30 - SHEETS
FED. ROAD DIST. NO.	ILLINOIS	FED. AID PROJECT-	CONTRACT 83790		

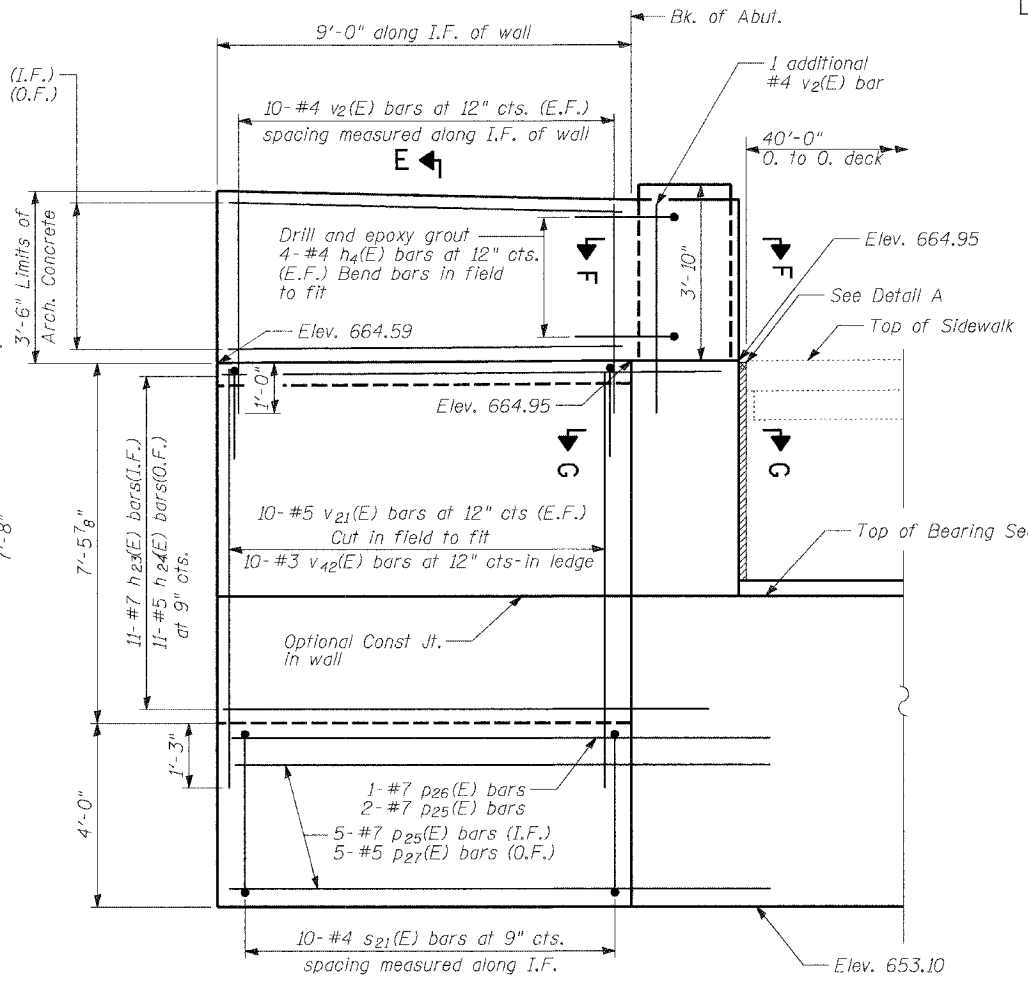
\* 02-00025-00-BR



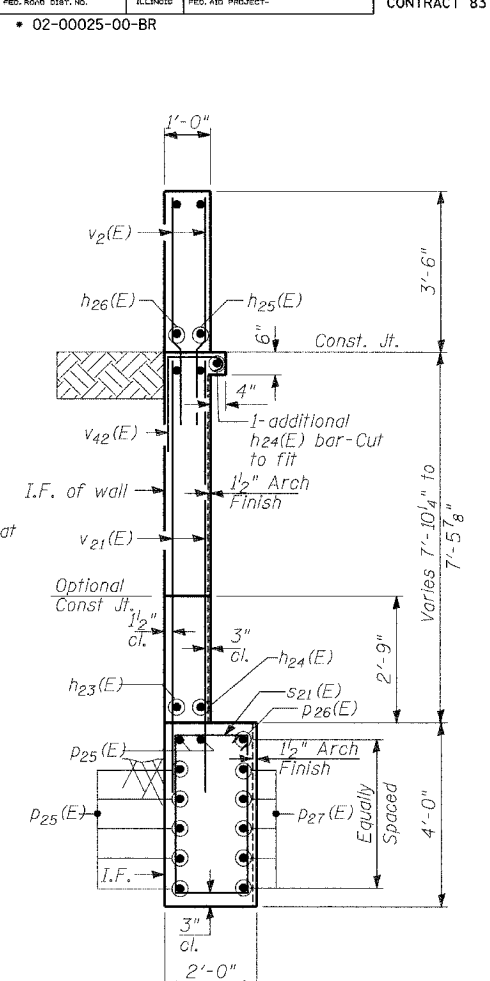
**WEST WING WALL ELEVATION**  
(Looking Southwest)



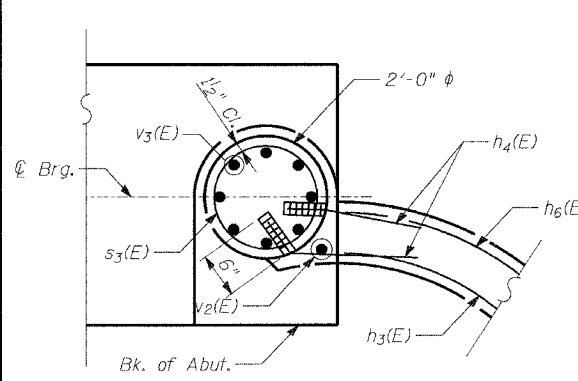
**SECTION B-B**



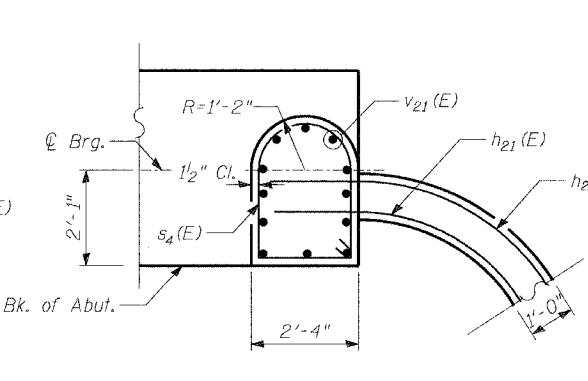
**EAST WING WALL ELEVATION**  
(Looking Southeast)



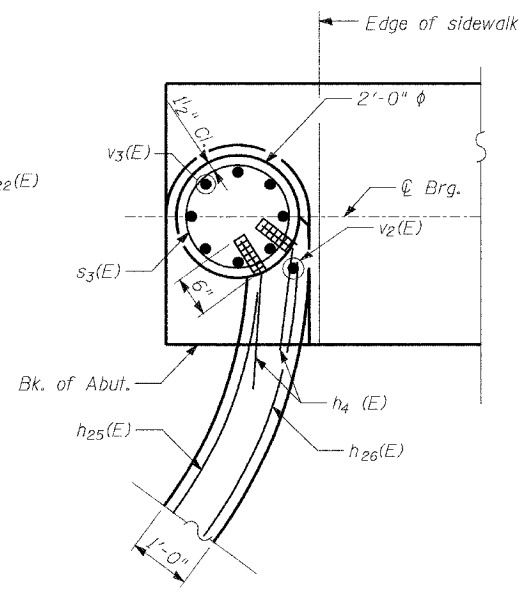
**SECTION E-E**



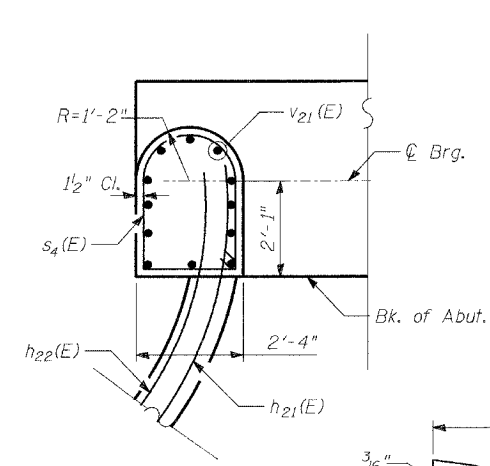
**SECTION C-C**



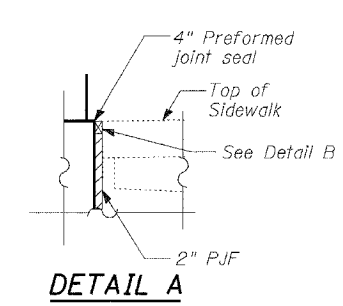
**SECTION D-D**



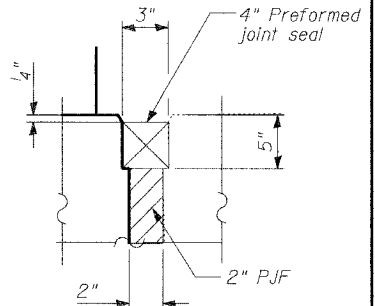
**SECTION F-F**



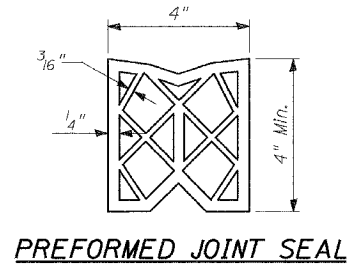
**SECTION G-G**



**DETAIL A**



**DETAIL B**



**PREFORMED JOINT SEAL**

Note:  
Epoxy grout bars in 6 inch deep minimum drilled holes according to Section 584 of the Standard Specifications. Cost shall be included in Concrete Structures, Special.

**NOTES**

For Architectural finish, see Sheet 26.

Note:  
4" Preformed joint seal shall be included in the cost of Concrete Structures, Special. Installation of the Preformed joint seal shall be in accordance with 503.10d of the Standard Specifications. Material shall be in accordance with Section 1053 of the Standard Specifications

**NORTH ABUTMENT DETAILS**

MOFFETT ROAD OVER  
DRAINAGE RAVINE  
FAU 2758  
LAKE COUNTY  
S.N. 049-6803

TYLIN INTERNATIONAL

DESIGNED	- SP
CHECKED	- AD
DRAWN	- SP
CHECKED	- PF

DATE: 02-23-2005