

STATE OF ILLINOIS
DEPARTMENT OF TRANSPORTATION

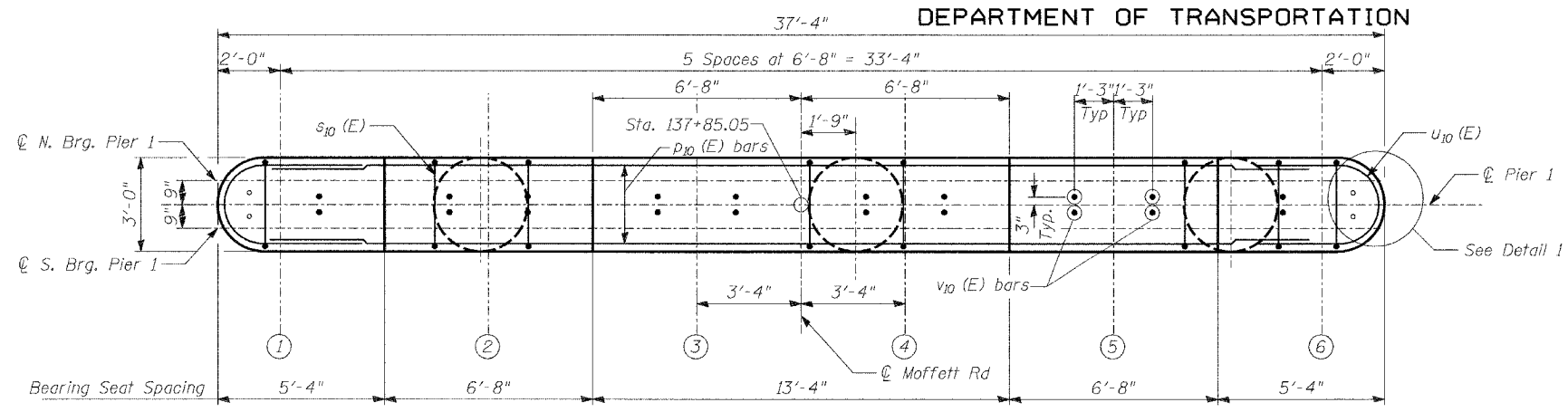
ROUTE NO.	SECTION	COUNTY	TOTAL SHEETS	SHEET NO.	SHEET NO. -19
2758	*	LAKE	40	29	30 - SHEETS
FED. ROAD DIST. NO.	ILLINOIS	FED. AID PROJECT-			CONTRACT 83790

• 02-00025-00-BR

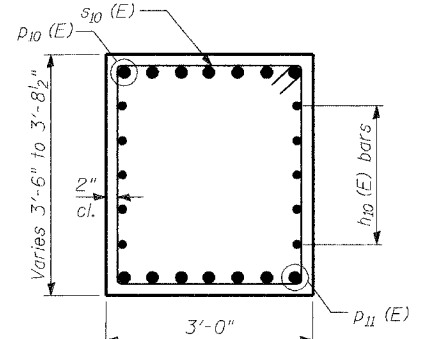
BILL OF MATERIAL

Bar	No.	Size	Length	Shape
$h_{10}(E)$	10	#5	34'-4"	
$p_{10}(E)$	7	#10	34'-4"	
$p_{11}(E)$	7	#8	34'-4"	
$s_{10}(E)$	46	#5	8'-4"	
** sp_{10}	3	#4	19'-8"	WWWWW
** $sp_{11}(E)$	3	#4	9'-7"	WWWWW
$u_{10}(E)$	14	#6	9'-5"	
$v_{10}(E)$	32	#8	4'-2"	
v_{11}	36	#9	19'-1"	
$v_{12}(E)$	36	#8	9'-0"	
$v_{13}(E)$	36	#8	12'-0"	
Concrete Structures, Special		CU YD	20.6	
Drilled Shaft in Soil, 36"		FT	69.6	
Reinforcement Bars		POUND	2930	
Reinforcement Bars, Epoxy Coated		POUND	5590	

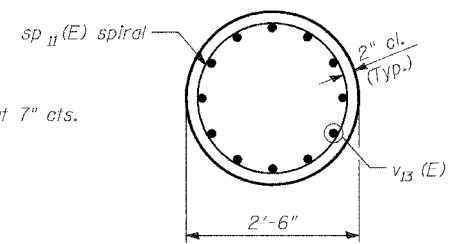
Reinforcement Bars designated (E) shall be epoxy coated.
** Length is height of spiral.



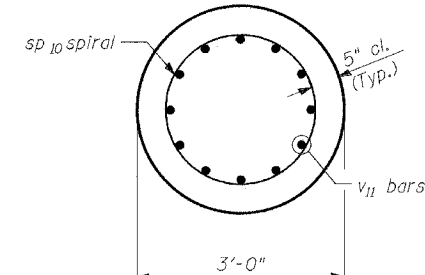
TOP PLAN



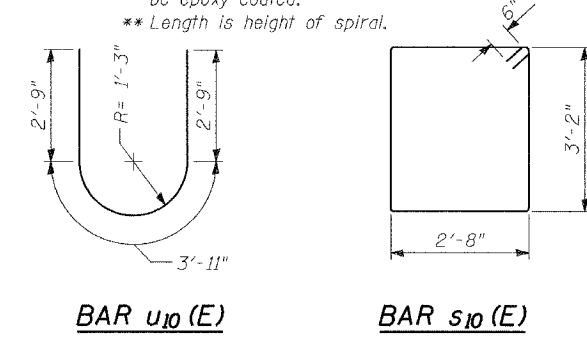
SECTION A-A



SECTION B-B

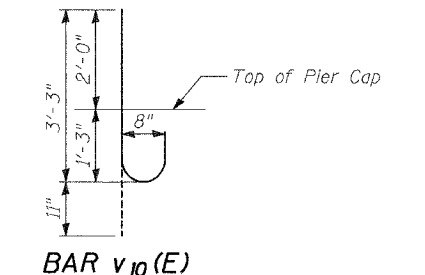


SECTION C-C

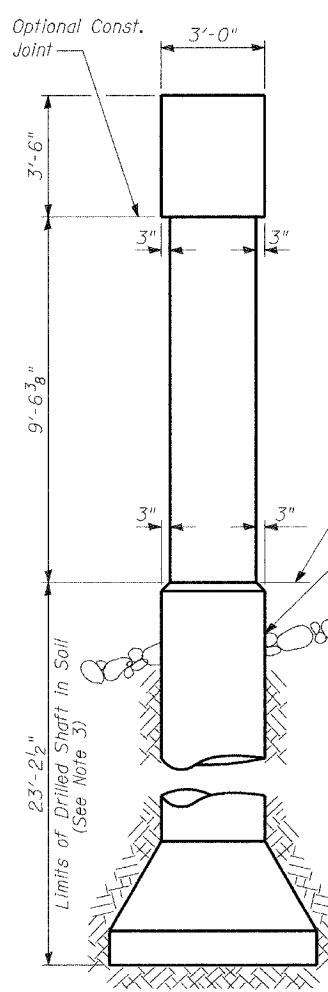


BAR $u_{10}(E)$

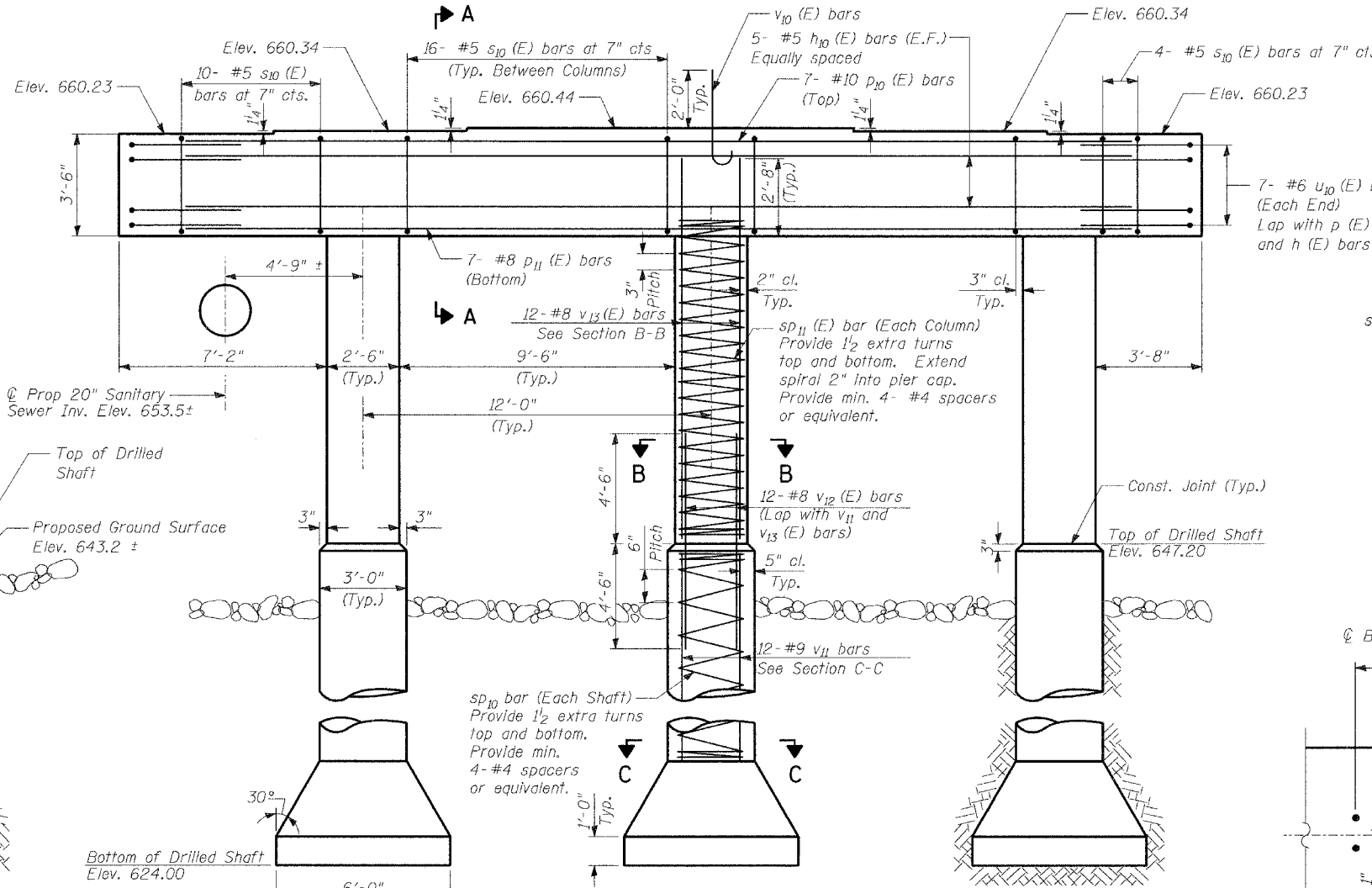
BAR $s_{10}(E)$



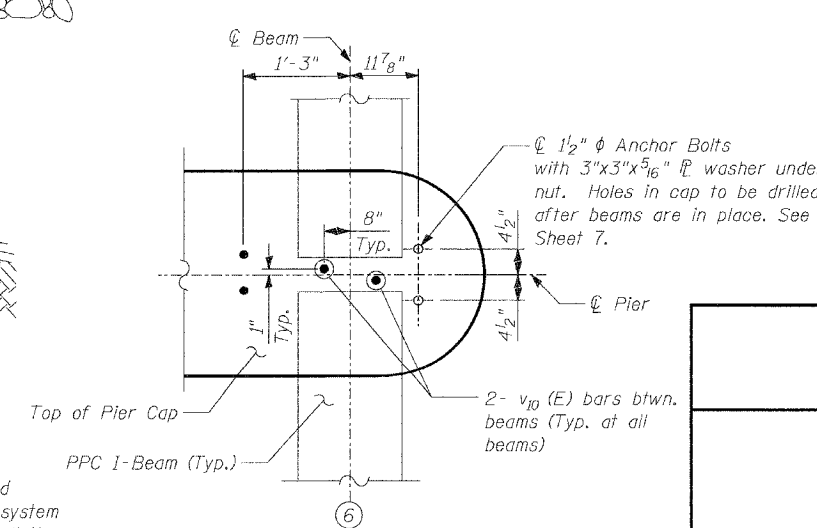
BAR $v_{10}(E)$



END VIEW



ELEVATION
(Looking North)



DETAIL 1

(Detail applicable at Beam 1 by rotation)

NOTES:

- Cast steps monolithically with cap.
- Space cap reinforcement to miss anchor bolts.
- The quantities and reinforcement detailing are based on the top of shaft and the estimated elevations shown and may change based on the actual elevations encountered at each shaft and the final top of shaft elevation.
- Provide temporary casing to Elevation 631.00, included in the cost for Drilled Shaft in Soil.
- Minimum lap for spirals = 1'-8"
- Contractor shall be responsible for the design, installation, and subsequent removal of any temporary embankment or support system as required to provide equipment access for drilled shaft installation. Cost shall be included in the unit price for Drilled Shaft in Soil, 36".

TYLIN INTERNATIONAL

DESIGNED	- SP
CHECKED	- AD
DRAWN	- DE
CHECKED	- PF

DATE: 02-23-2005

PIER 1

MOFFETT ROAD OVER
DRAINAGE RAVINE
FAU 2758
LAKE COUNTY
S.N. 049-6803