

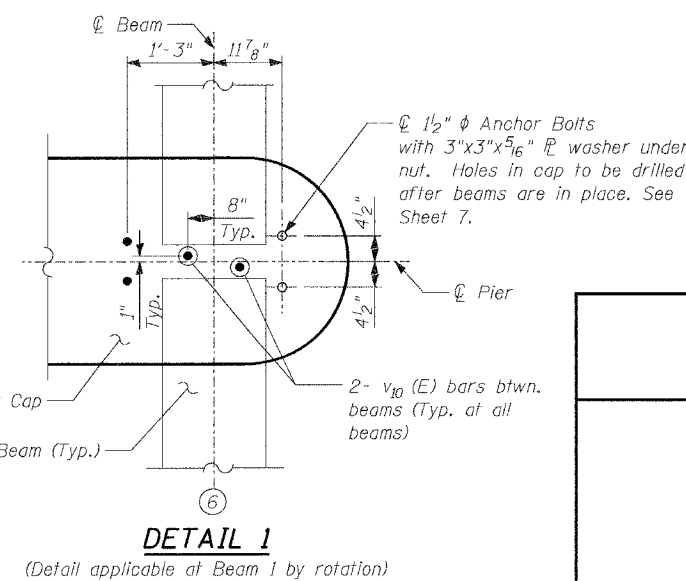
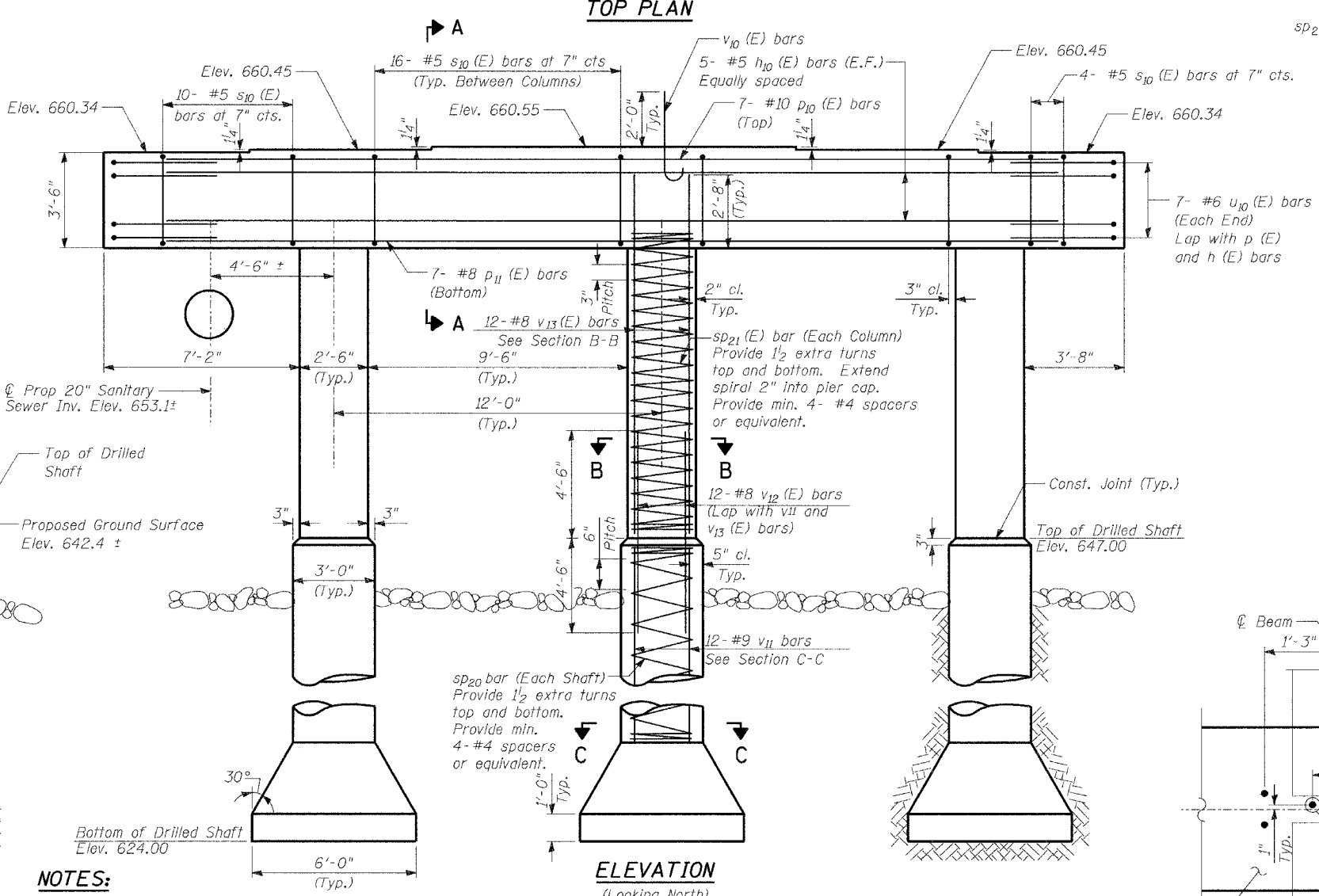
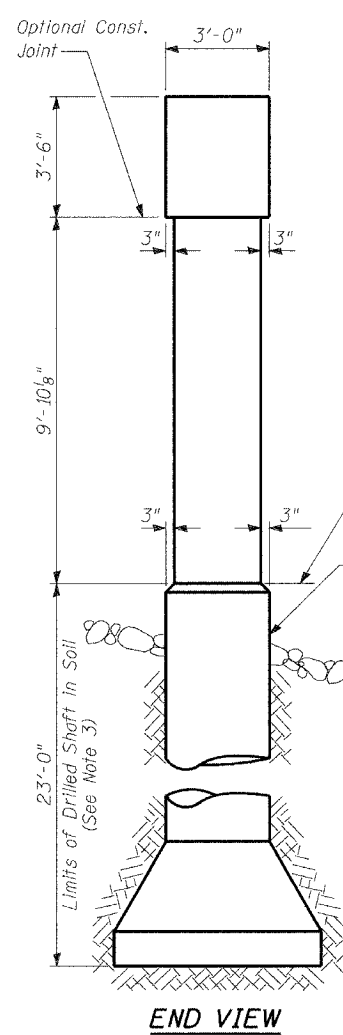
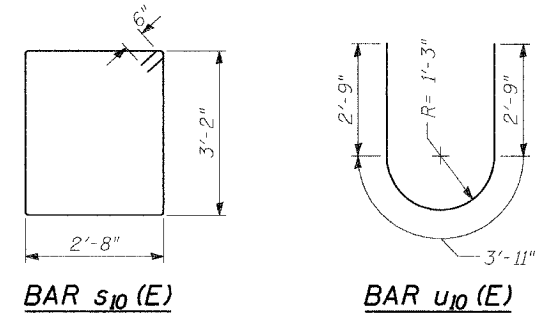
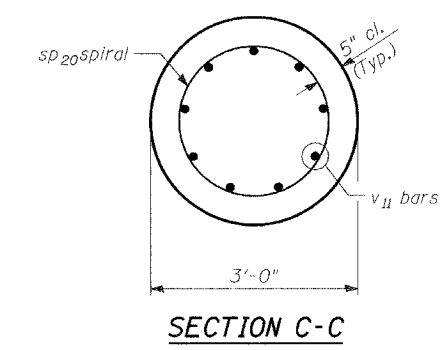
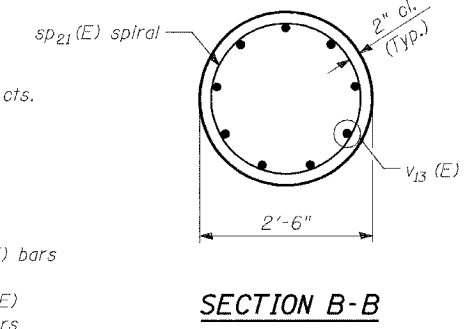
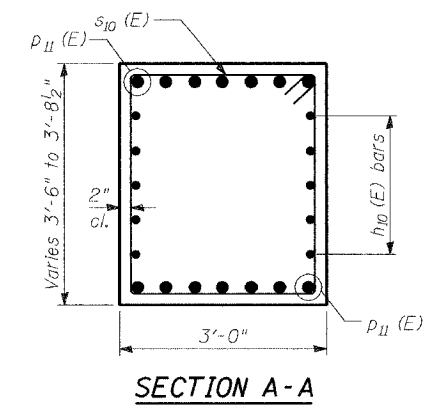
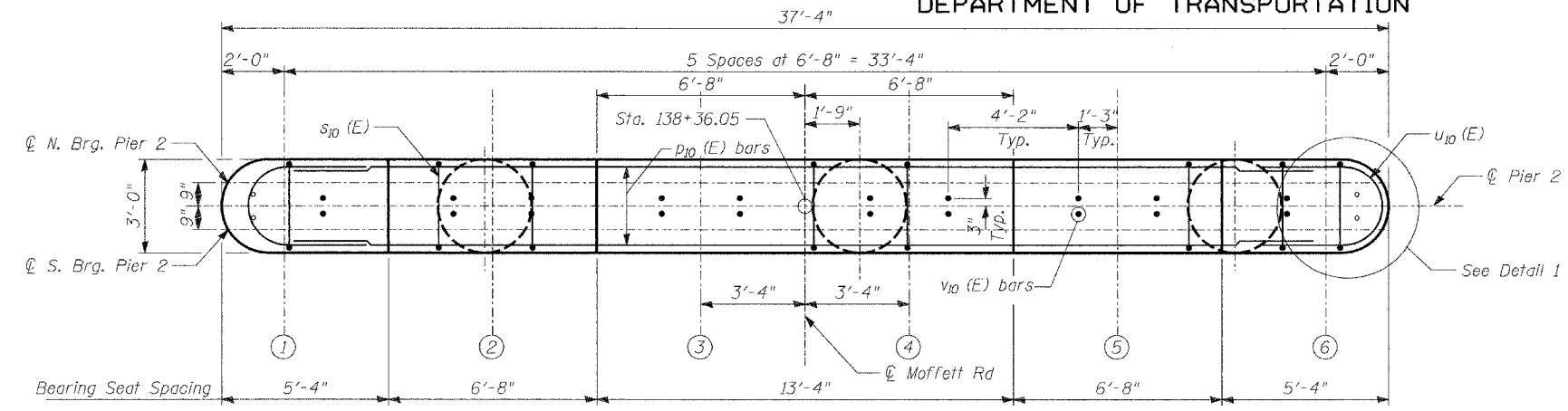
STATE OF ILLINOIS  
DEPARTMENT OF TRANSPORTATION

ROUTE NO.	SECTION	COUNTY	TOTAL SHEETS	SHEET NO.	SHEET NO. - 20
2758	*	LAKE	40	30	30 - SHEETS
FED. ROAD DIST. NO.	ALIGNMENT	FED. AID PROJECT	CONTRACT 83790		

\* 02-00025-00-BR  
**BILL OF MATERIAL**

Bar	No.	Size	Length	Shape
$h_{10}(E)$	10	#5	34'-4"	—
$p_{10}(E)$	7	#10	34'-4"	—
$p_{11}(E)$	7	#8	34'-4"	—
$s_{10}(E)$	46	#5	8'-4"	□
** $sp_{20}$	3	#4	19'-5"	WWWWW
** $sp_{21}(E)$	3	#4	9'-11"	WWWWW
$u_{10}(E)$	14	#6	9'-5"	U
$v_{10}(E)$	32	#8	4'-2"	—
$v_{11}$	36	#9	19'-1"	—
$v_{12}(E)$	36	#8	9'-0"	—
$v_{13}(E)$	36	#8	12'-0"	—
Concrete Structures, Special		CU YD	20.8	
Drilled Shaft in Soil, 36"		FT	69	
Reinforcement Bars		POUND	2915	
Reinforcement Bars, Epoxy Coated		POUND	5600	

Reinforcement Bars designated (E) shall be epoxy coated.  
\*\* Length is height of spiral.



- NOTES:**
- Cast steps monolithically with cap.
  - Space cap reinforcement to miss anchor bolts.
  - The quantities and reinforcement detailing are based on the top of shaft and the estimated elevations shown and may change based on the actual elevations encountered at each shaft and the final top of shaft elevation.
  - Provide temporary casing to Elev. 631.00
  - Minimum lap for spirals = 1'-8"
  - Contractor shall be responsible for the design, installation, and subsequent removal of any temporary embankment or support system as required to provide equipment access for drilled shaft installation. Cost shall be included in the unit price for Drilled Shaft in Soil, 36".

**TYLIN INTERNATIONAL**

DESIGNED	- SP
CHECKED	- AD
DRAWN	- DE
CHECKED	- PF

DATE: 02-23-2005

**PIER 2**

MOFFETT ROAD OVER  
DRAINAGE RAVINE  
FAU 2758  
LAKE COUNTY  
S.N. 049-6803