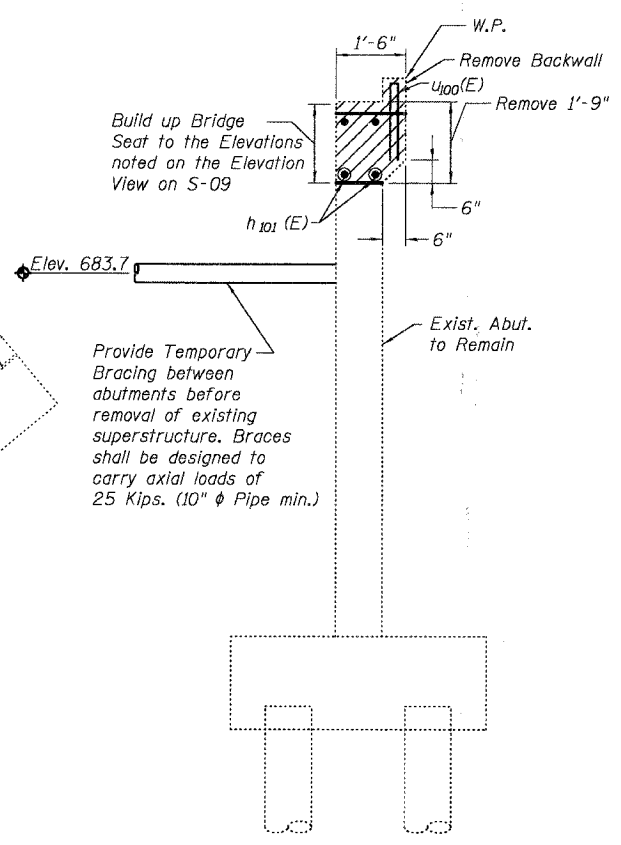
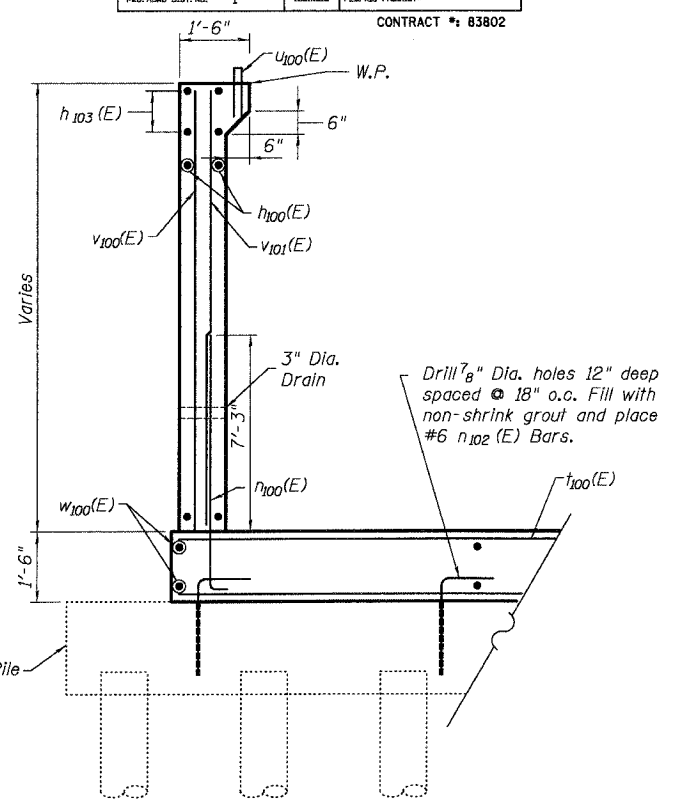


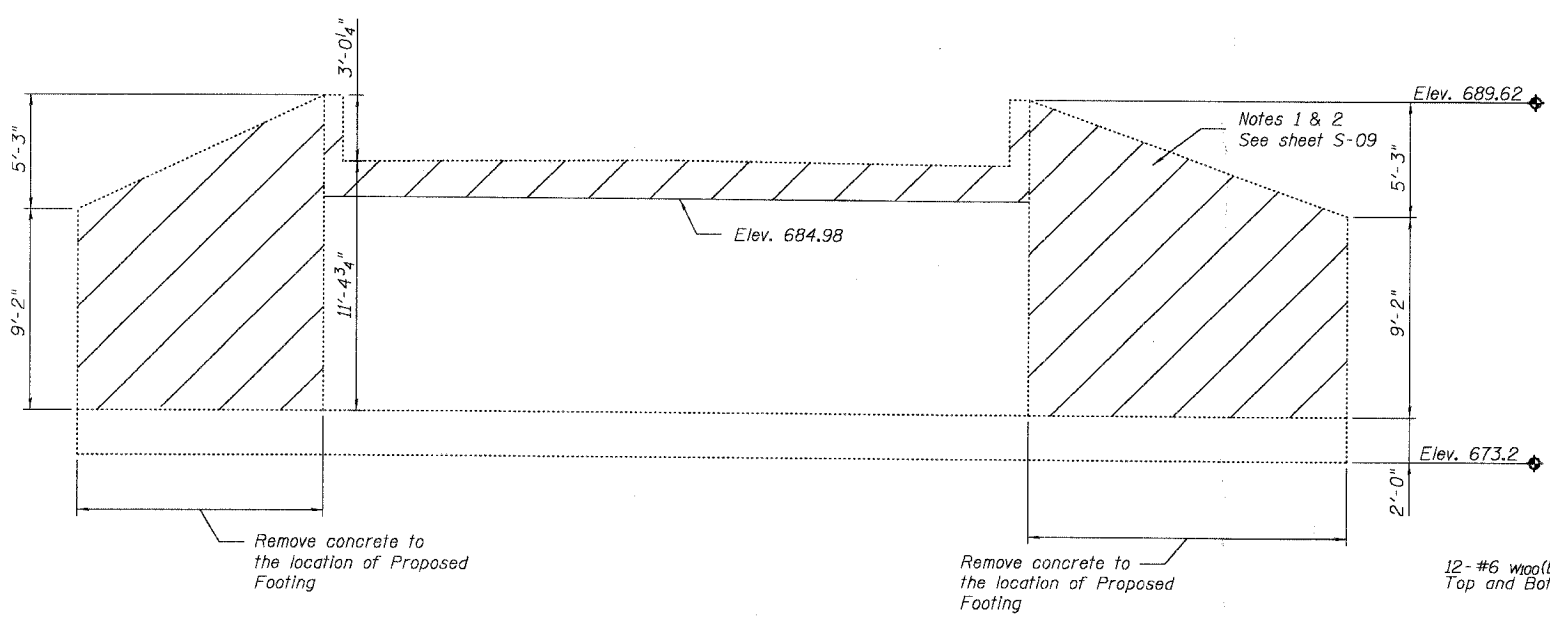
**PLAN OF EXISTING ABUTMENT**  
Not to Scale



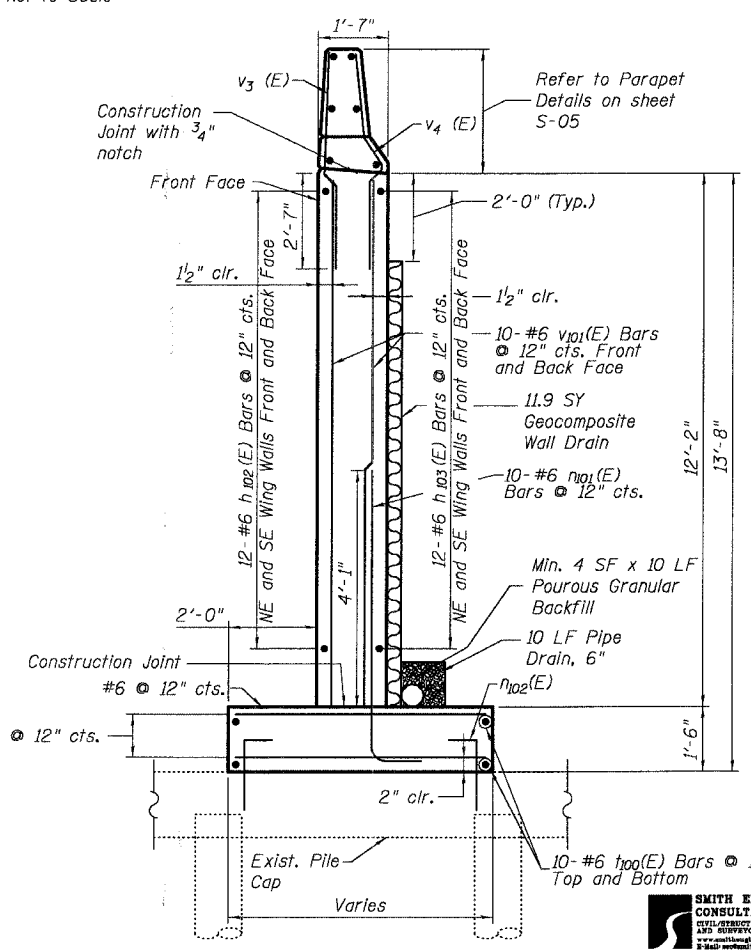
**SECTION F-F**  
Not to Scale



**SECTION G-G**  
Not to Scale



**ELEVATION OF EXISTING ABUTMENT**  
Not to Scale



**SECTION H-H**  
Not to Scale

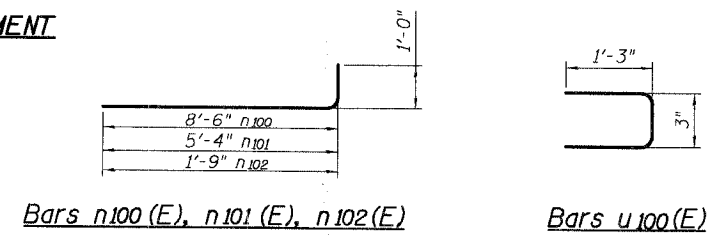
**BILL OF MATERIAL**

Bar	No.	Size	Length (FT)	Shape
h103(E)	72	# 5	7'-1"	
h101(E)	8	# 7	23'-6"	
h102(E)	96	# 6	12'-3"	
h103(E)	96	# 6	9'-8"	
h104(E)	40	# 8	6'-4"	
h105(E)	28	# 6	2'-9"	
h106(E)	80	# 6	11'-3"	
h107(E)	88	# 4	2'-9"	
h108(E)	48	# 5	9'-9"	
h109(E)	80	# 5	12'-4"	
h110(E)	40	# 6	9'-6"	
h111(E)	40	# 6	4'-5"	
h112(E)	40	# 6	5'-3"	
h113(E)	96	# 6	9'-1"	
Reinforcement Bars, Epoxy Coated		Pound	10,360	
Concrete Structures		Cu. Yds.	88.9	
Concrete Removal		Cu. Yds.	36.8	
Bridge Seat Sealer		Sq. Ft.	64.7	
Structure Excavation		Cu. Yd.	102	
Epoxy Crack Sealing		Foot	65	
Formed Concrete Repair (< 5 in)		Sq. Ft.	5	
Porous Granular Backfill		Cu. Yd.	31.3	
Geocomposite Wall Drain		Sq. Yd.	47.5	
Pipe Drain		Foot	40	

Reinforcement Bars designated (E) shall be Epoxy Coated

DESIGNED	MGH
CHECKED	RGD
DRAWN	WJH
CHECKED	NRF

**LEGEND:**  
 Indicates Concrete Removal Area



**SMITH ENGINEERING CONSULTANTS, INC.**  
 CIVIL, STRUCTURAL, ELECTRICAL AND MECHANICAL ENGINEERS AND SURVEYORS  
 2140 W. 111th Street, Suite 200, Mokena, IL 60449  
 Phone: (708) 485-1111  
 Fax: (708) 485-1112  
 Website: www.smitheng.com

REVISIONS	
NAME	DATE

**ILLINOIS DEPARTMENT OF TRANSPORTATION**  
 Abutment Details  
 Harlem Avenue/Drecksler Road  
 Over Black Walnut Creek  
 Will County  
 Section 01-00139-02-BR  
 SN. 099-3091  
 DATE 5-26-2005