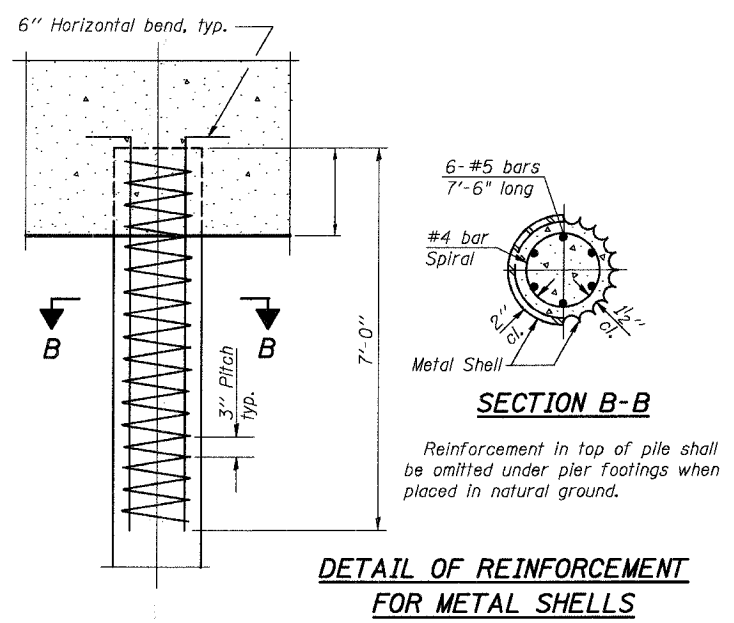
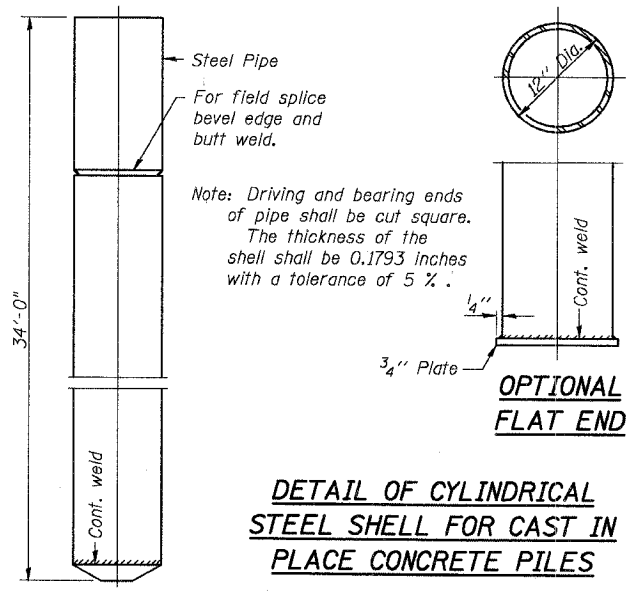


ROUTE NO.	SECTION	COUNTY	SHEET NO.	SHEET
S.B.L.				
P.A. 3762	01-00139-02-BR	Will	35	26
FED. ROAD DIST. NO. 1	SLINGER	FED. AID PROJECT		

SHEET NO. S-12  
S-13 SHEETS

CONTRACT #: 83802



DESIGNED	MGH
CHECKED	RGD
DRAWN	WJH
CHECKED	NRF

**SMITH ENGINEERING CONSULTANTS, INC.**  
CIVIL, STRUCTURAL ENGINEERS AND SURVEYORS  
www.smitheng.com  
2642 W. Madison Ave. Chicago, IL 60648

REVISIONS	
NAME	DATE

ILLINOIS DEPARTMENT OF TRANSPORTATION

Pile Details  
Harlem Avenue/Drecksler Road  
Over Black Walnut Creek  
Will County  
Section 01-00139-02-BR  
SN. 099-3091

DATE 5-26-2005