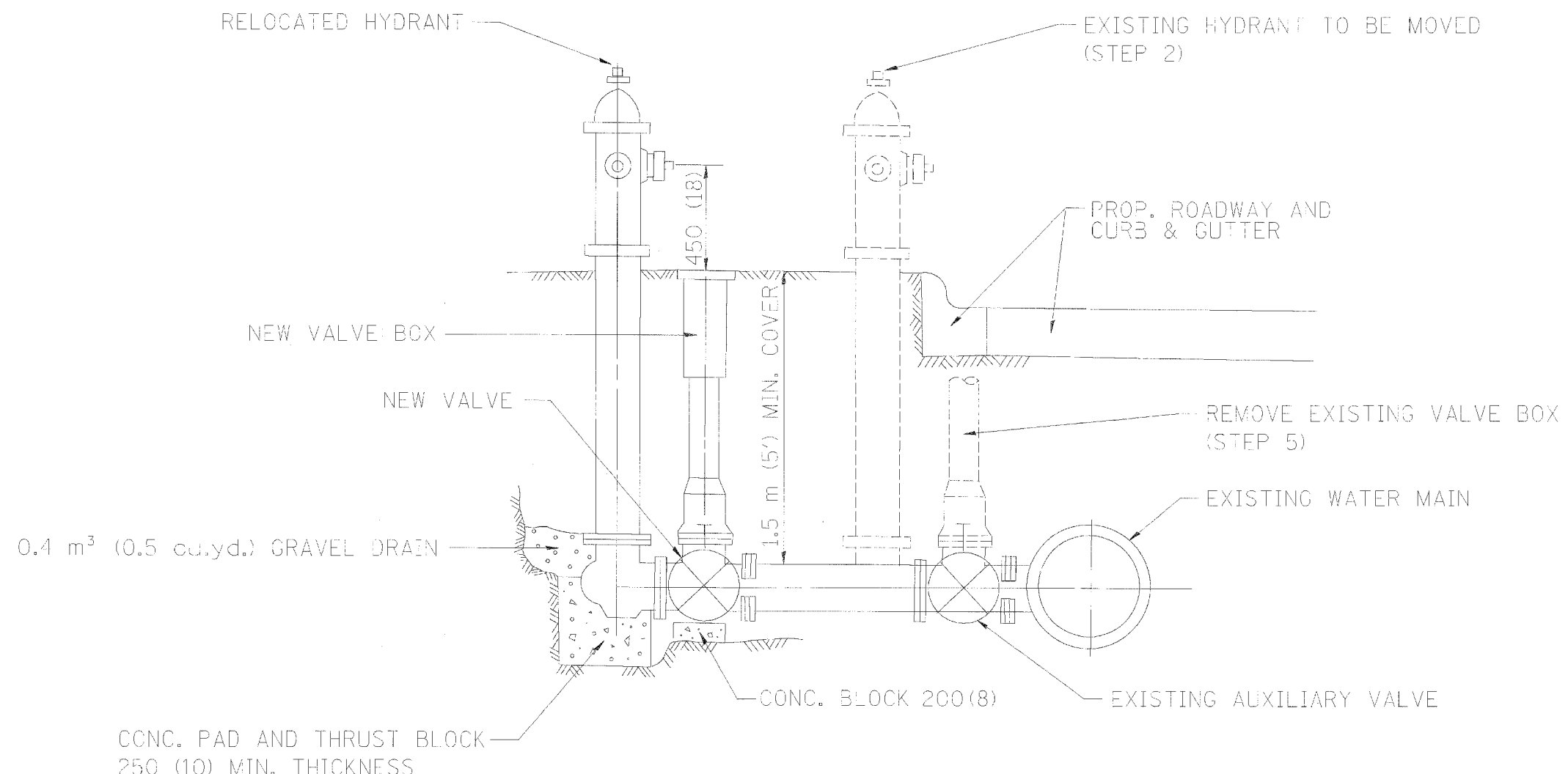


P.A. SEC.	SECTION	COUNTY	TOTAL SHEETS	DRAWING NO.
3751	92-06030-00-FV	YANK	01	25
STA.		TO STA.		
FED. ROAD DIST. NO.	BLANKS	FED. AID PROJECT		

63803



SEQUENCE OF CONSTRUCTION:

1. CLOSE EXISTING VALVE.
2. REMOVE EXISTING HYDRANT.
3. INSTALL HYDRANT EXTENSION AND NEW VALVE.
4. RELOCATE EXISTING HYDRANT.
5. OPEN EXISTING VALVE, REMOVE BOX.
6. BACKFILL.
7. FLUSH AND TEST FOR CHLORIDE RESIDUAL AND PROVIDE TEST.

ALL WORK TO BE DONE IN ACCORDANCE WITH ARTICLE 564 OF THE STANDARD SPECIFICATIONS. NEW VALVE AND BOX SHALL BE SAME MAKE AND MODEL AS EXISTING.

FIRE HYDRANT TO BE MOVED

ALL DIMENSIONS ARE IN MILLIMETERS (INCHES) UNLESS OTHERWISE SHOWN.

ILLINOIS DEPARTMENT OF TRANSPORTATION

FIRE HYDRANT TO BE MOVED

REVISIONS	
NAME	DATE
R. SHAH	09/29/94
R. SHAH	10/25/94

SCALE: NONE
DATE 10/18/2002

DRAWN BY
CHECKED BY
BOS00-03 (8D-36)

REVISION DATE 10/25/94

DATE-TIME
DGN-SPEC
V-BD36