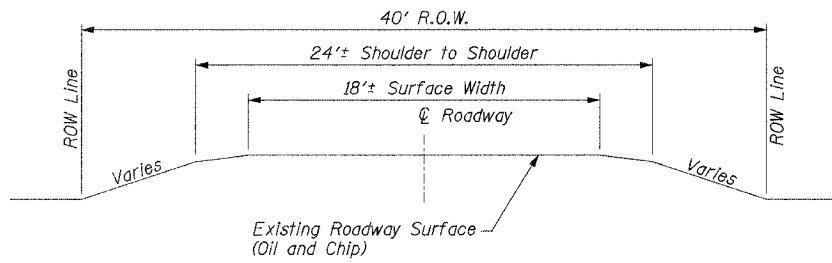
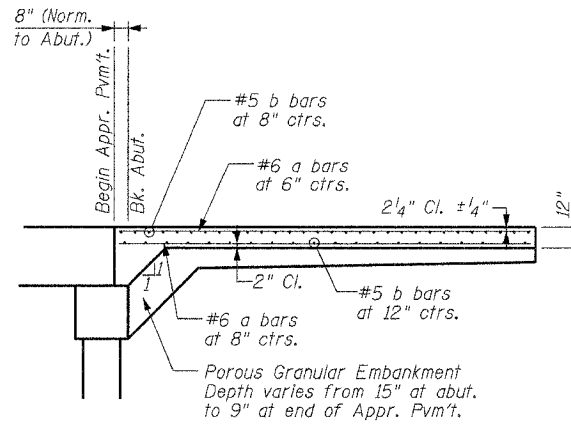


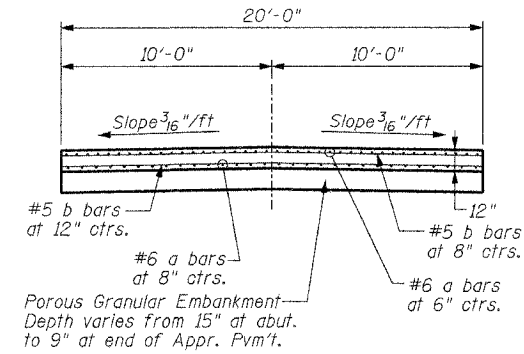
ROUTE	SECTION	COUNTY	TOTAL SHEETS	SHEET NO.
TR 227	98-11120-00-BR	JEFFERSON	35	3
FED. ROAD DIST. NO. 7		ILLINOIS	FED. AID PROJECT	
CONTRACT NO. 95437				



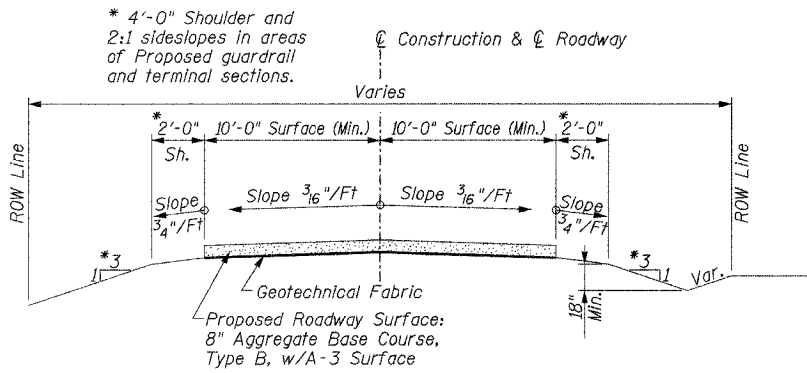
**TYPICAL SECTION
EXISTING APPROACH ROADWAY**



LONGITUDINAL SECTION

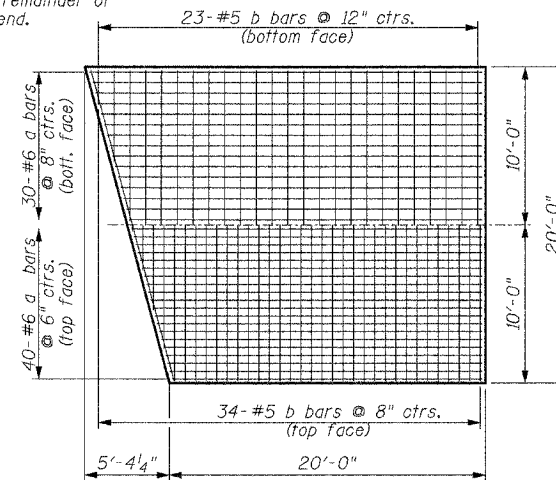


TRANSVERSE SECTION



**TYPICAL SECTION
PROPOSED APPROACH ROADWAY**

Order b bars full length. Cut to fit skew and use remainder of bars in opposite end.

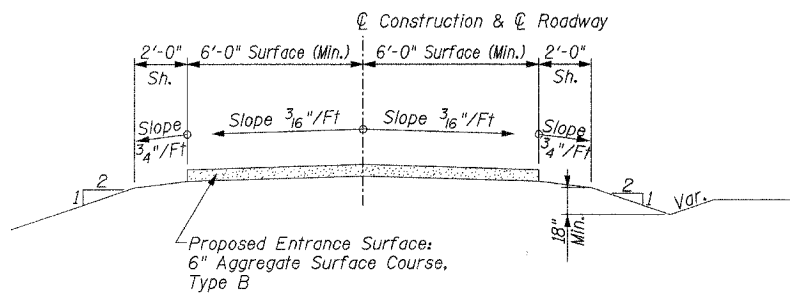


**PLAN
BRIDGE APPROACH PAVEMENT (SPECIAL)**

**BILL OF MATERIALS
ONE APPROACH PAVEMENT**

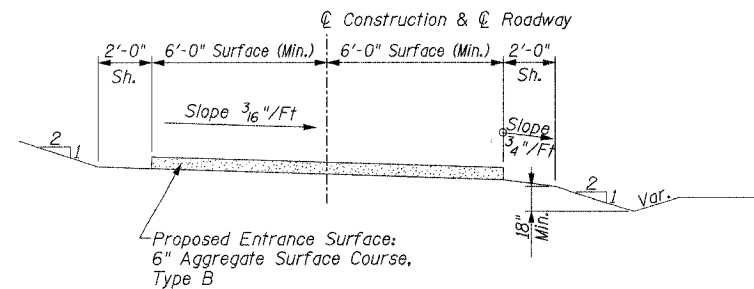
BAR	NO.	SIZE	LENGTH	SHAPE
a	70	#6	25'-0"	—
b	57	#5	19'-6"	—
Bridge Approach Pavement (Special)			Sq. Yd.	50.4
Class SI Concrete *			Cu. Yd.	16.8
Reinforcement *			Pound	3790

* Not a pay item: For Information only
(See Special Provisions)



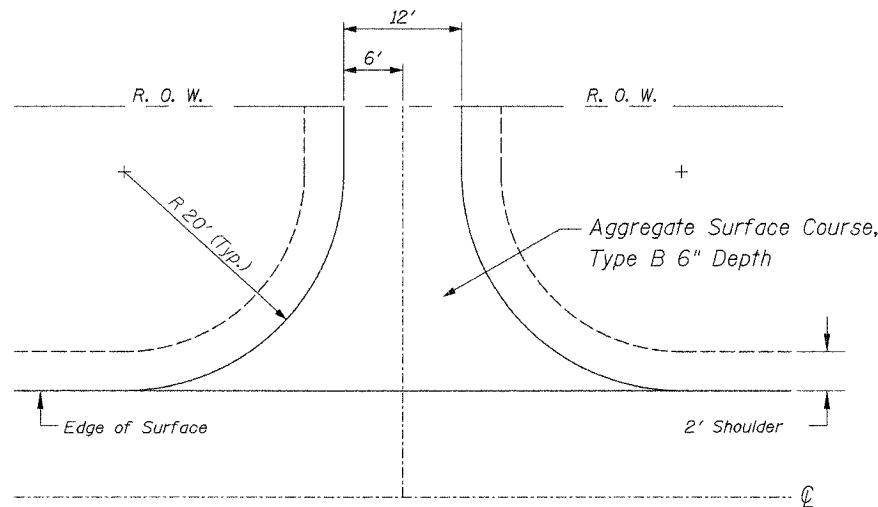
**TYPICAL SECTION
PROPOSED ENTRANCE ROADWAY**

Rt. Sta. 29+18
Rt. Sta. 29+65
Lt. Sta. 47+75



**TYPICAL SECTION
PROPOSED ENTRANCE ROADWAY**

Lt. Sta. 42+00



TYPICAL ENTRANCE

GUARDRAIL SCHEDULE

LOCATION	TRF BARR TERM TY 5A (EACH)	STEEL PLATE BEAM GUARD RAIL, TYPE A (FOOT)	TRF BARR TERM TY 1, SP. (TAN.) (EACH)
Lt. & Rt., Sta. 30+37.75 to Sta. 30+87.75	-	-	2
Lt. & Rt., Sta. 30+87.75 to Sta. 31+01.00	2	-	-
Lt. & Rt., Sta. 31+83.00 to Sta. 31+96.25	2	-	-
Lt., Sta. 31+96.25 to Sta. 37+10.70	-	514.45	-
Rt., Sta. 31+96.25 to Sta. 37+17.14	-	520.89	-
Lt., Sta. 37+10.70 to Sta. 37+23.95	1	-	-
Rt., Sta. 37+17.14 to Sta. 37+30.39	1	-	-
Lt., Sta. 40+25.95 to Sta. 40+39.20	1	-	-
Rt., Sta. 40+32.39 to Sta. 40+45.64	1	-	-
Lt., Sta. 40+39.20 to Sta. 40+89.20	-	50	-
Rt., Sta. 40+45.64 to Sta. 44+20.64	-	375	-
Lt., Sta. 40+89.20 to Sta. 41+39.20	-	-	1
Lt., Sta. 42+20.64 to Sta. 42+70.64	-	-	1
Lt., Sta. 42+70.64 to Sta. 44+20.64	-	150	-
Lt. & Rt., Sta. 44+20.64 to Sta. 44+70.64	-	-	2
Total	8	1610.34	6

**TYPICAL SECTIONS
PROPOSED BRIDGE OVER
UNION PACIFIC RAILROAD AND CASEY FORK
TR 227 (GREEN ROAD)
SECTION 98-11120-00-BR
JEFFERSON COUNTY, ILLINOIS**

Sheet
3
of 35
Job No. 52303

05/24/2005