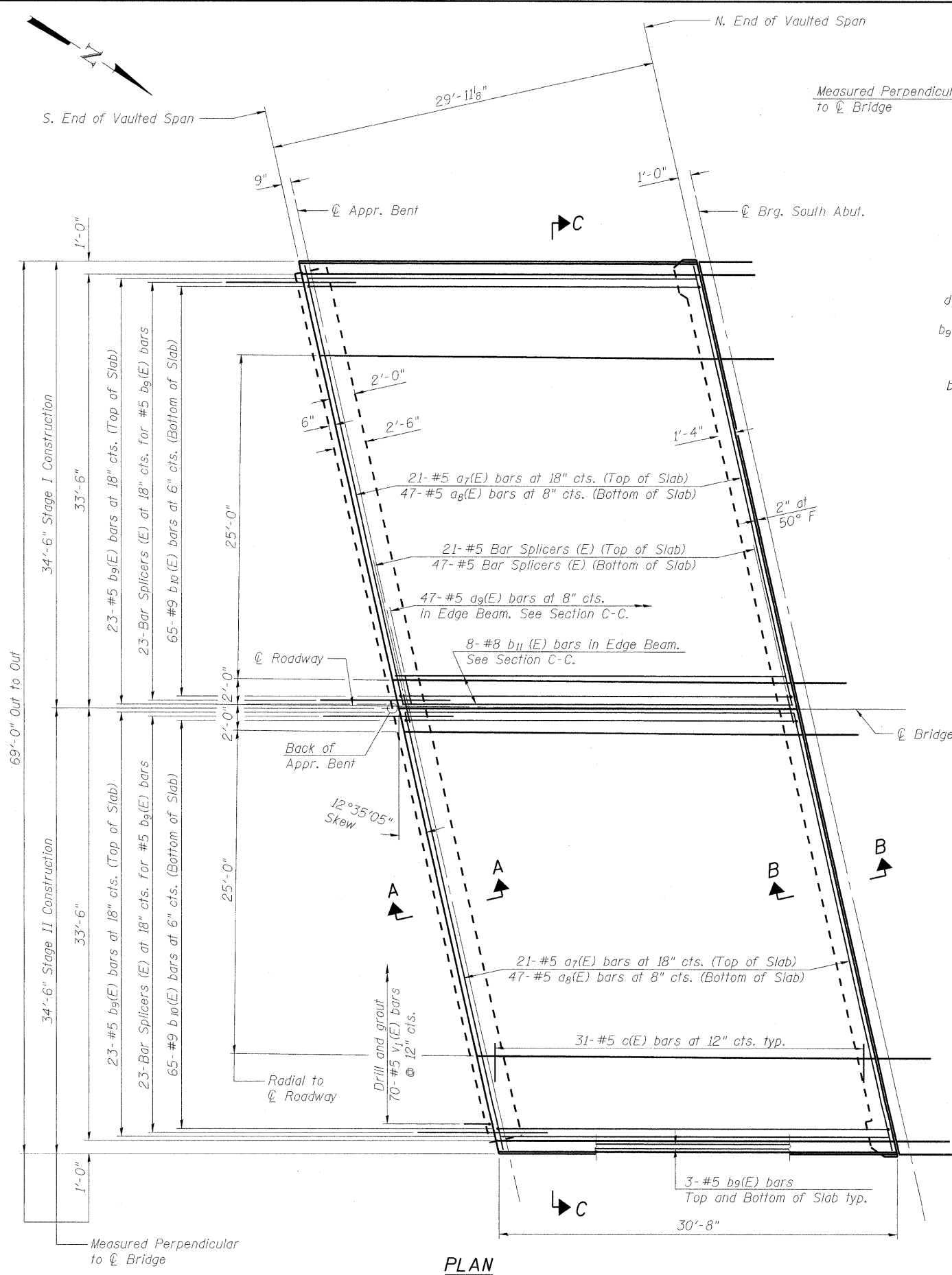
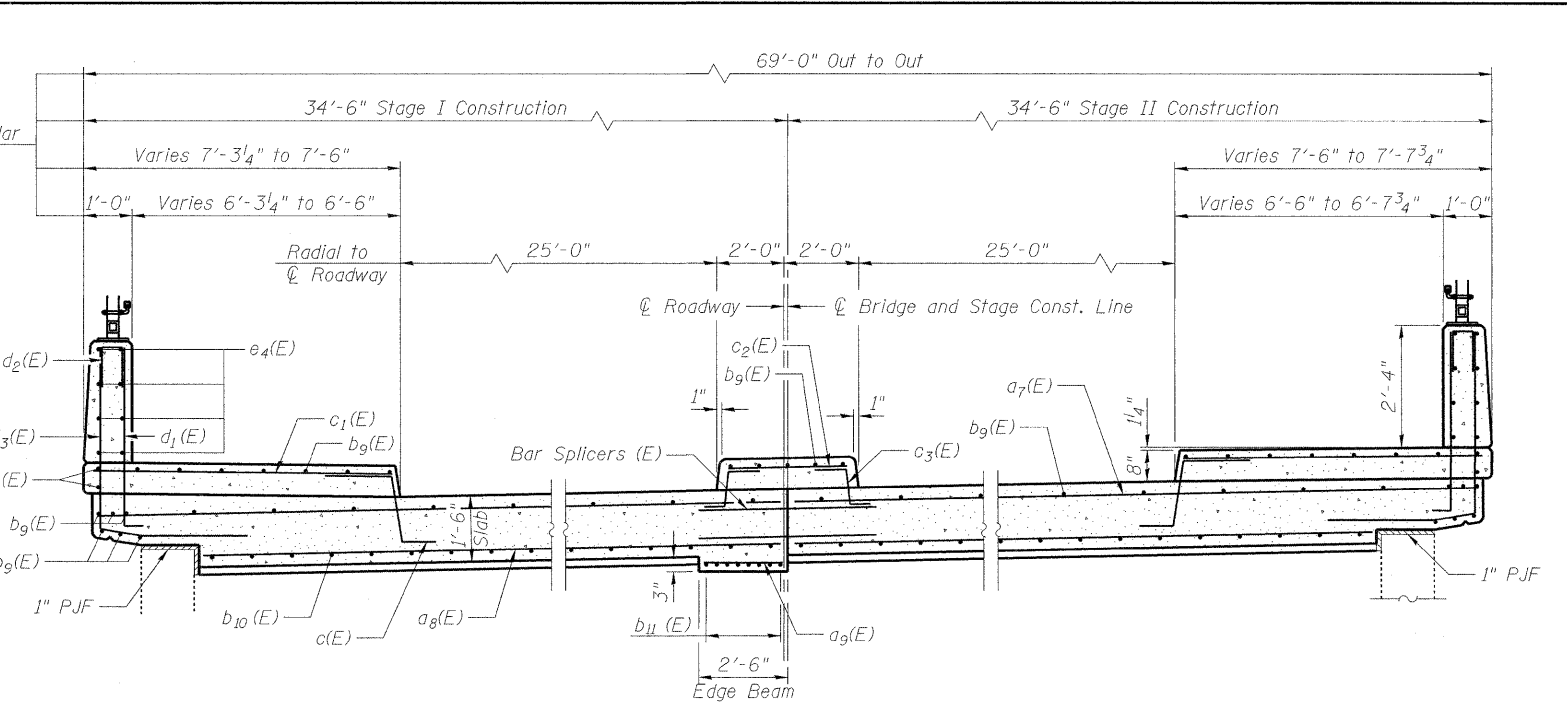


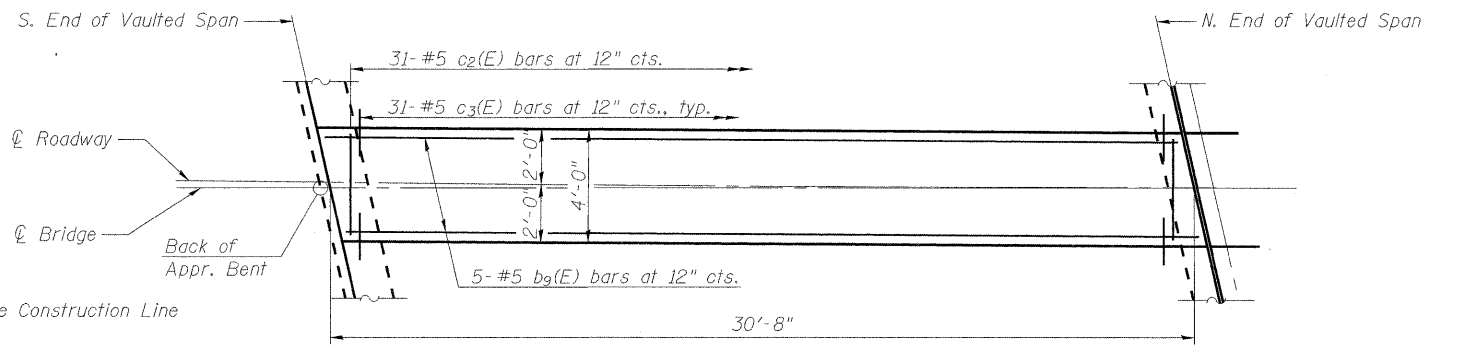
FILE NAME = g:\projects\202155_004\cadd\structure\1112\1112.1B\1112.1B.017_vaulted Appr.1.dgn



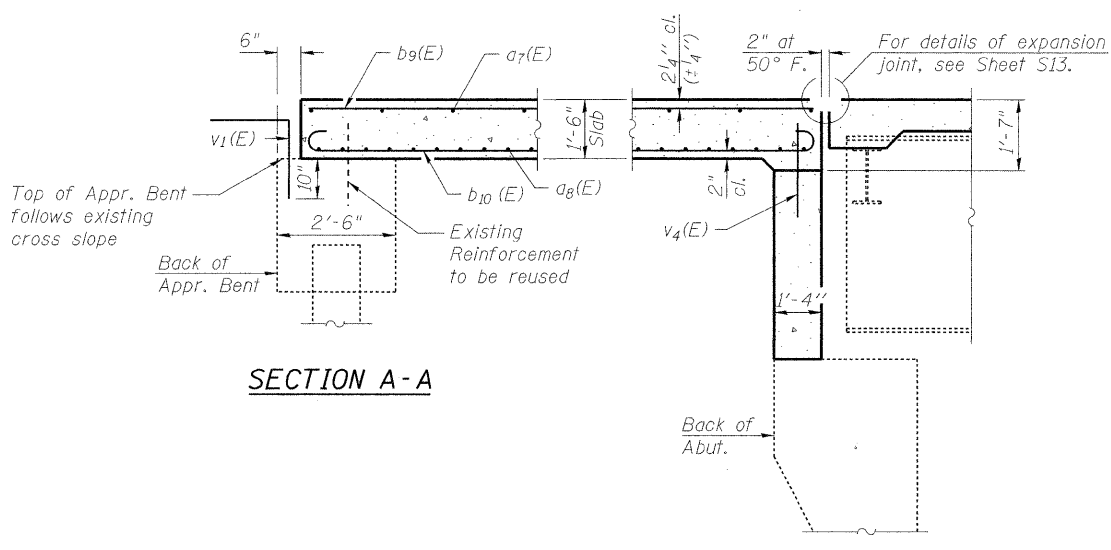
PLAN



SECTION C-C



MEDIAN DETAIL



SECTION A-A

SECTION B-B

Note: For v4(E) bar details, see Sheet S26



| | | |
|----------------------|----------------|-----------|
| USER NAME = 2saqrb | DESIGNED - TWO | REVISED - |
| PLOT SCALE = N/A | CHECKED - BHS | REVISED - |
| PLOT DATE = 8/5/2011 | DRAWN - TWO | REVISED - |
| | CHECKED - GSP | REVISED - |

STATE OF ILLINOIS
DEPARTMENT OF TRANSPORTATION

Vaulted Abutment Approach Span (1 of 2)
STRUCTURE NO. 016-1015

SHEET NO. 517 OF 36 SHEETS

| | | | | |
|-----------------------|-----------------|-------------|---------------------------|--------------|
| F.A.I. RTE. 57 | SECTION 1112.1B | COUNTY COOK | TOTAL SHEETS 75 | SHEET NO. 44 |
| FED. ROAD DIST. NO. 1 | | | ILLINOIS FED. AID PROJECT | |
| CONTRACT NO. 60863 | | | | |