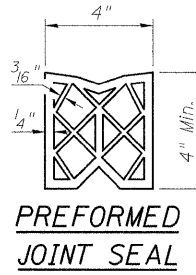
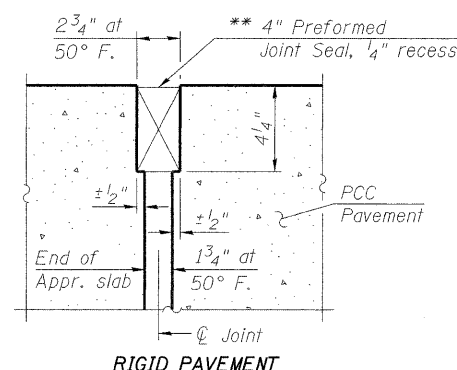
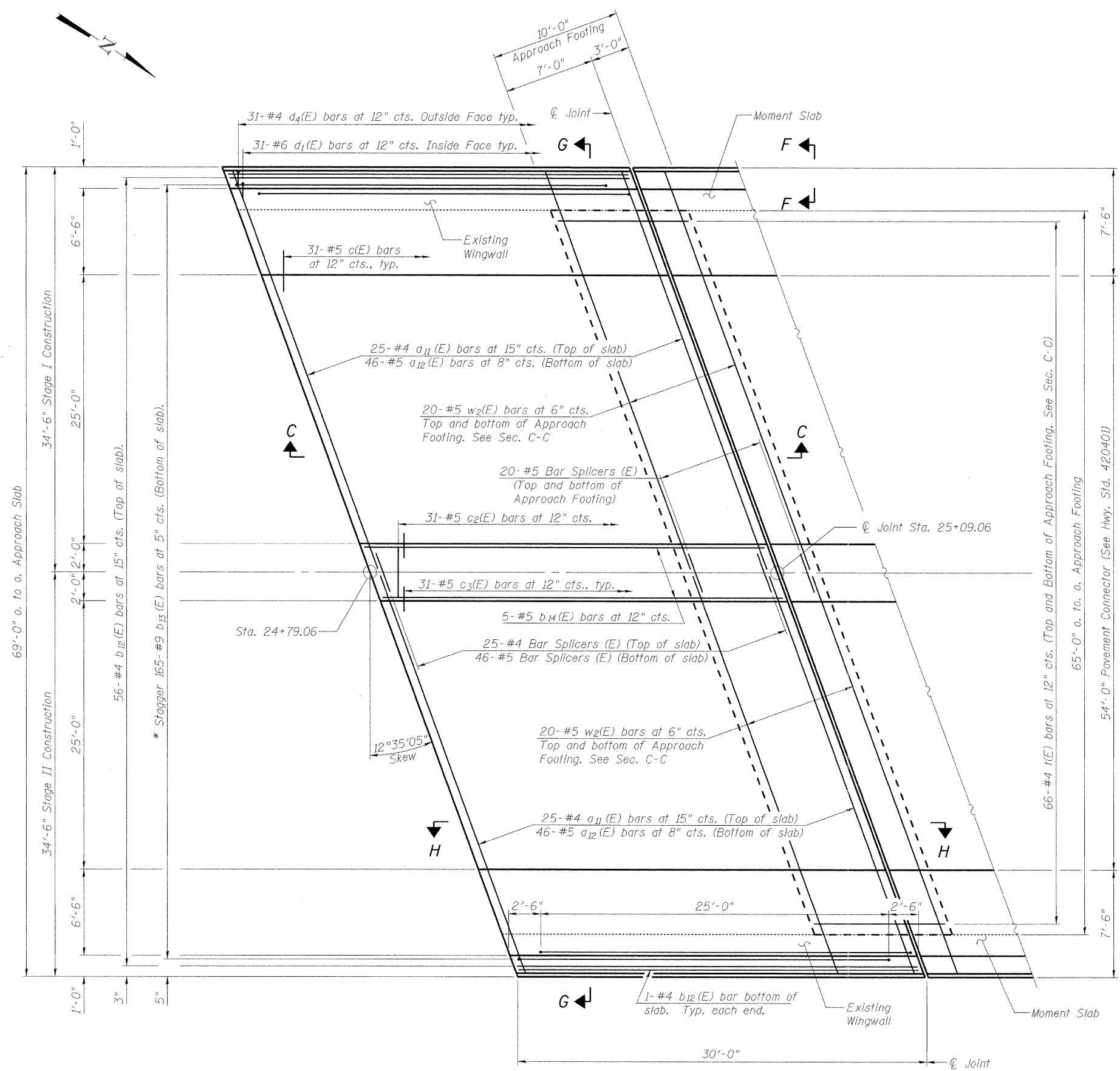


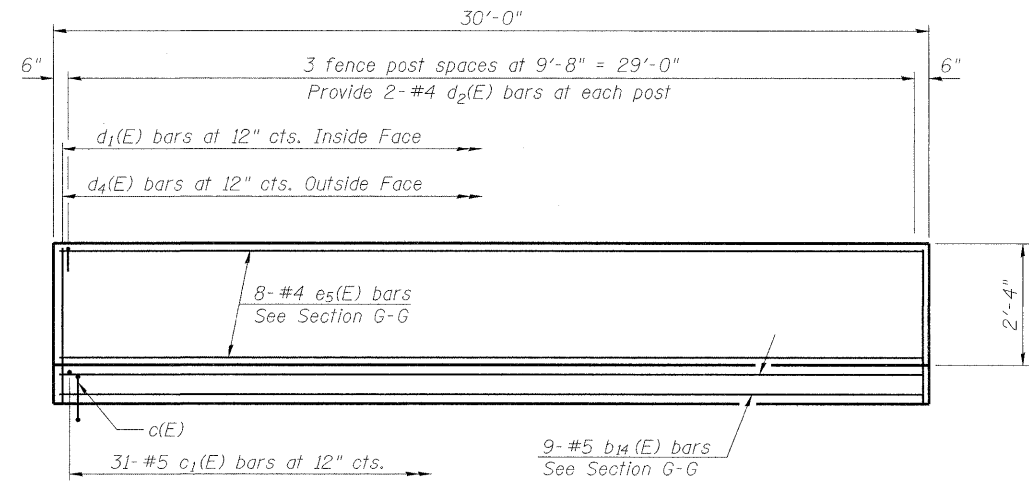
Notes:
 See Sheet S21 for Sections C-C & G-G.
 See Sheet S22 for Moment Slabs.
 $a_{11}(E)$ and $a_{12}(E)$ bar spacings measured along \varnothing Bridge.



DETAIL A



VIEW F-F
 Angle Preformed Joint Seal at 45° at curbs and parapets when req'd for drainage.



VIEW H-H

* Tilt #9 $b_{13}(E)$ bars as required to maintain clearance.
 ** Cost included with Concrete Superstructure.

PLAN

FILE NAME = g:\projects\2102155_024\cadd\structure\slab\0161015_60863_020_N_Approach.dgn



USER NAME = Zsayerb	DESIGNED - TWO	REVISED -
PLOT SCALE = N/A	CHECKED - BHS	REVISED -
PLOT DATE = 8/5/2011	DRAWN - TWO	REVISED -
	CHECKED - GSP	REVISED -

STATE OF ILLINOIS
 DEPARTMENT OF TRANSPORTATION

NORTH APPROACH SLAB
 STRUCTURE NO. 016-1015

SHEET NO. S20 OF 36 SHEETS

F.A.I. RTE.	SECTION	COUNTY	TOTAL SHEETS	SHEET NO.
57	1112.1B	COOK	75	47
CONTRACT NO. 60863				
FED. ROAD DIST. NO. 1 ILLINOIS FED. AID PROJECT				