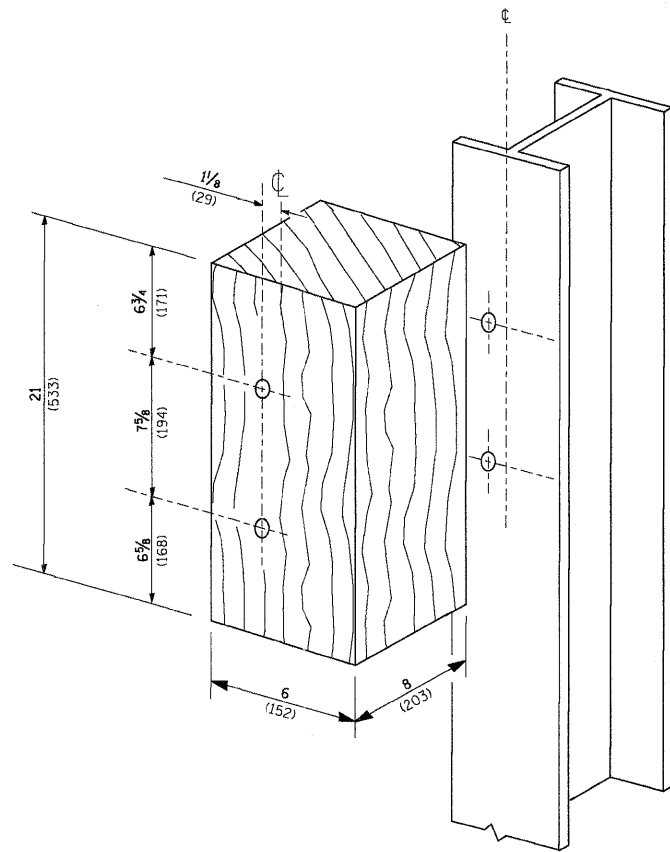
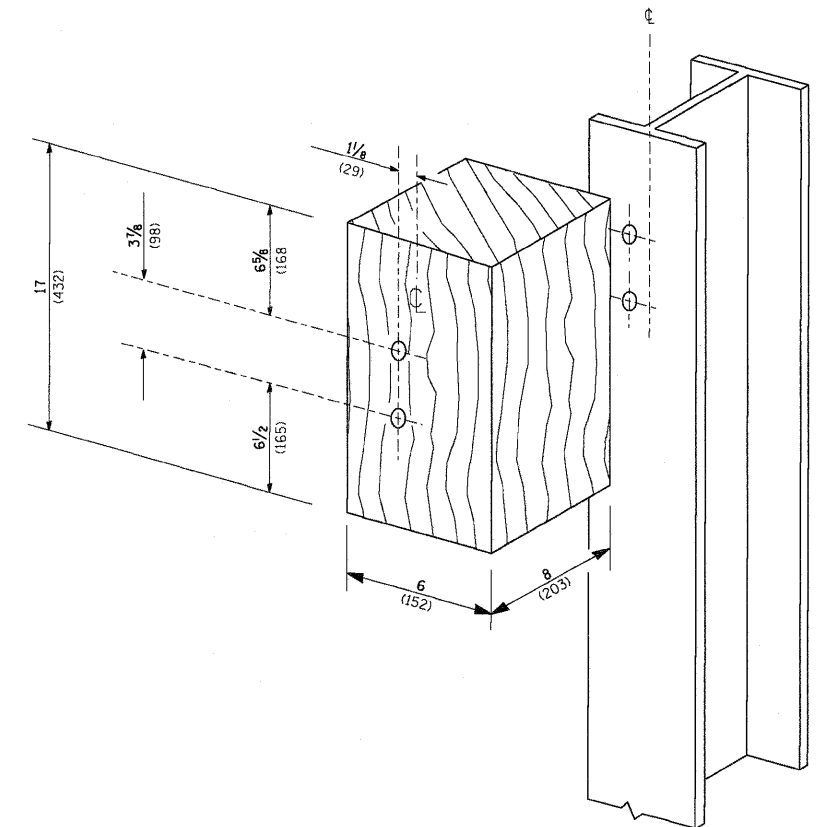


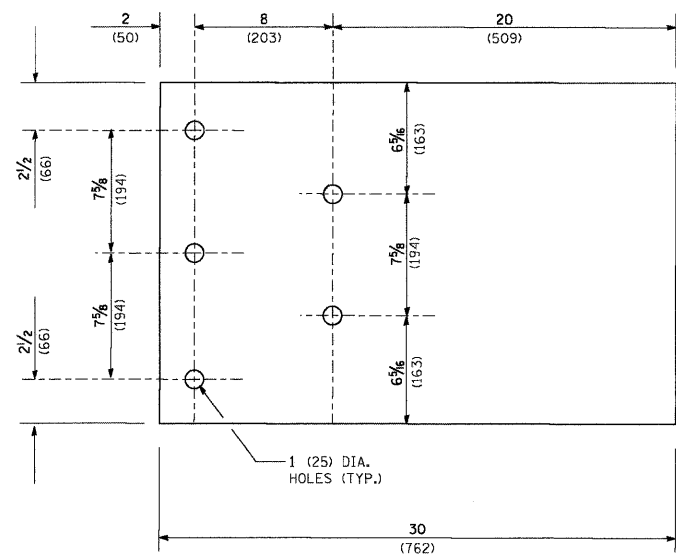
THRIE BEAM END SHOE DETAIL



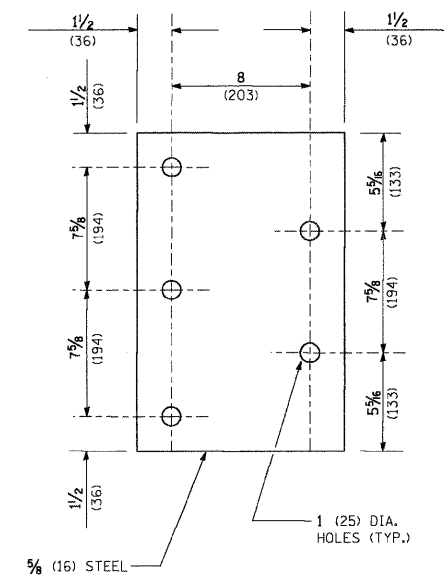
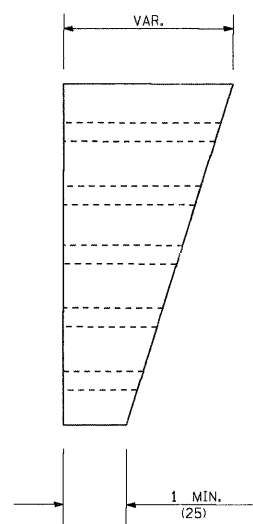
POSTS 1-11 WOOD BLOCKOUT DETAIL



POST 12 WOOD BLOCKOUT DETAIL



PARAPET WOOD BLOCK-OUT DETAIL



PARAPET STEEL BEARING PLATE DETAIL

(5 EACH INDIVIDUAL 5x5x5/8 (125x125x16) STEEL PLATES WITH CENTERED 1 (25) HOLES MAY BE SUBSTITUTED FOR THE PLATE SHOWN.)

FILE NAME = c:\Projects\diststd2007\bm22.dgn	USER NAME = bauerdl	DESIGNED - DRAWN -	REVISED - STATE STANDARD: 631031-05 - 02/19/2008	STATE OF ILLINOIS DEPARTMENT OF TRANSPORTATION	TYPE 6 TERMINAL FOR USE WITH 21" HIGH SPBGR			F.A.P. RTE. 57	SECTION 1112.1B	COUNTY COOK	TOTAL SHEETS 75	SHEET NO. 68
PLOT SCALE = 50,0000 ' / IN.		CHECKED -	REVISED -		SCALE: NONE	SHEET NO. 3 OF 3 SHEETS	STA.	TO STA.	BM 22		CONTRACT NO. 60863	
PLOT DATE = 2/21/2008		DATE -	REVISED -		FED. ROAD DIST. NO. 1 [ILLINOIS] FED. AID PROJECT							