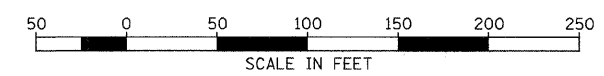
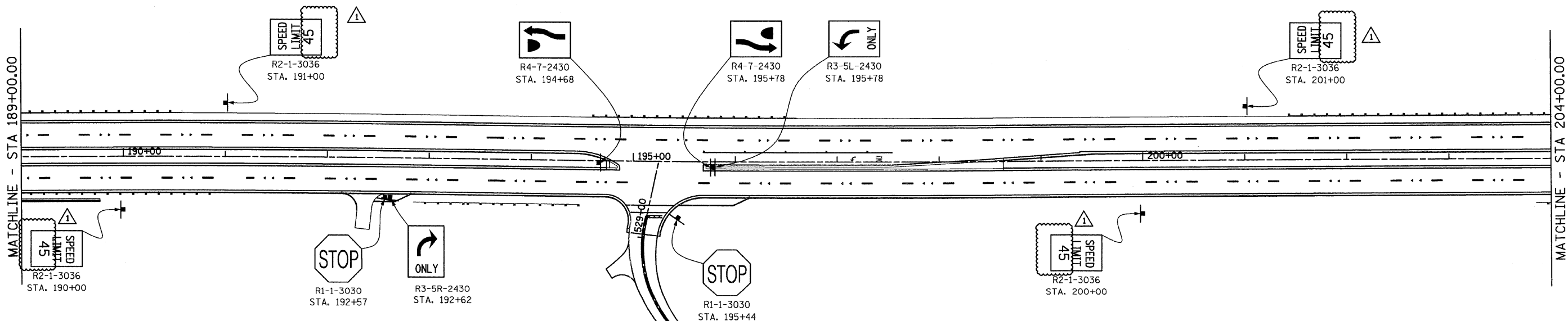
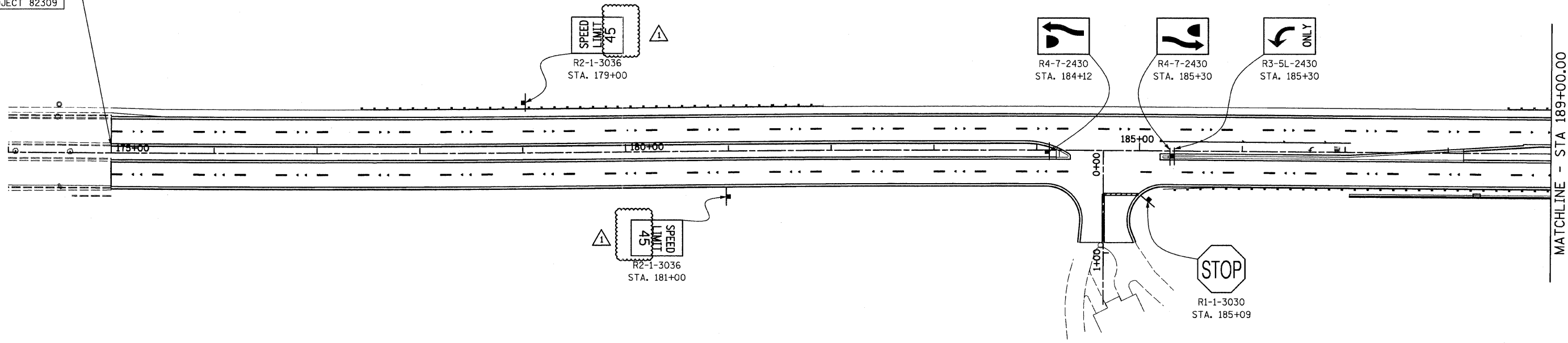


PROJECT BEGINS
STA 175+00.00
MATCH IDOT
PROJECT 82309



FILE NAME =
s:\102901\cadd\sheets\st-sign01.dgn

USER NAME = IDOT
PLOT SCALE = 56.000000' / IN.
PLOT DATE = 6/31/2011

DESIGNED - EJM
DRAWN - BK
CHECKED - GFL
DATE - 4/30/2011

REVISED 09/02/11 J.V.
REVISED -
REVISED -
REVISED -

STATE OF ILLINOIS
DEPARTMENT OF TRANSPORTATION

SIGNING PLAN
IL RTE 21 (MILWAUKEE AVE)
SCALE: 1" = 50' SHEET NO. OF SHEETS STA. 174+00.00 TO STA. 204+00.00

F.A.P. RTE. 330	SECTION 128R-3	COUNTY LAKE	TOTAL SHEETS 518	SHEET NO. 173
CONTRACT NO. 60953				
ILLINOIS FED. AID PROJECT				