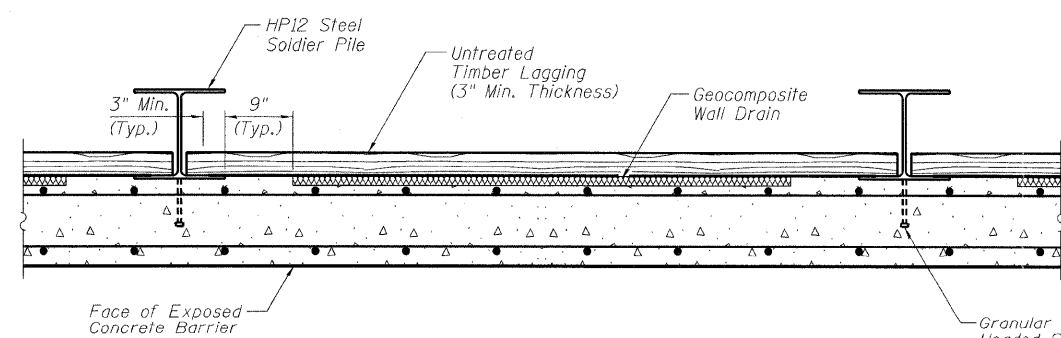


SECTION THRU SOLDIER PILE WALL

*** The Contractor shall locate the existing gas line and all other utilities prior to the construction. Any damage to utilities to be repaired at the Contractor's expense.

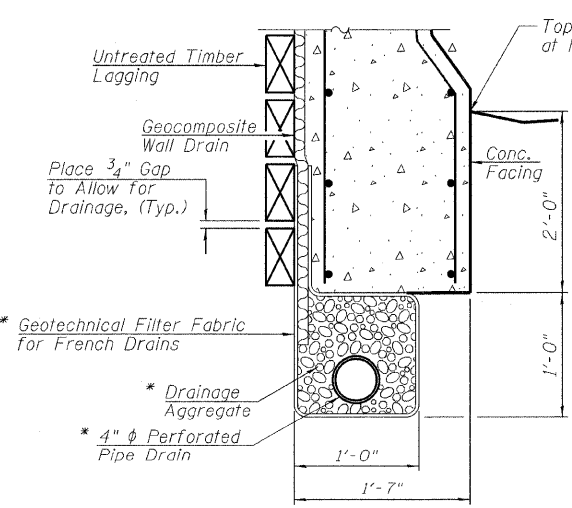
**** Final grading behind the wall to divert the surface run-off away from the wall. See Civil drawings for Landscaping Details and Pay Items.

- NOTES:**
1. No stripping of topsoil should occur on the ground east of the retaining wall.
 2. The fill placed behind the wall shall be topsoil. It shall be placed and spread either by hand or by equipment located west of the wall.
 3. If the material placed behind the wall requires compaction, it shall be done utilizing walk behind-type equipment.



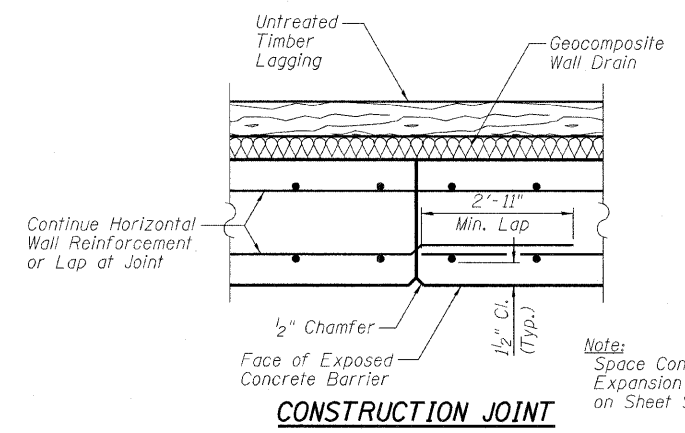
GEOCOMPOSITE WALL DRAIN DETAIL

Granular or Solid Flux Filled Headed Stud Conforming to Article 1006.32 of the Standard Specifications Automatically End Welded to Flange (Typ.)



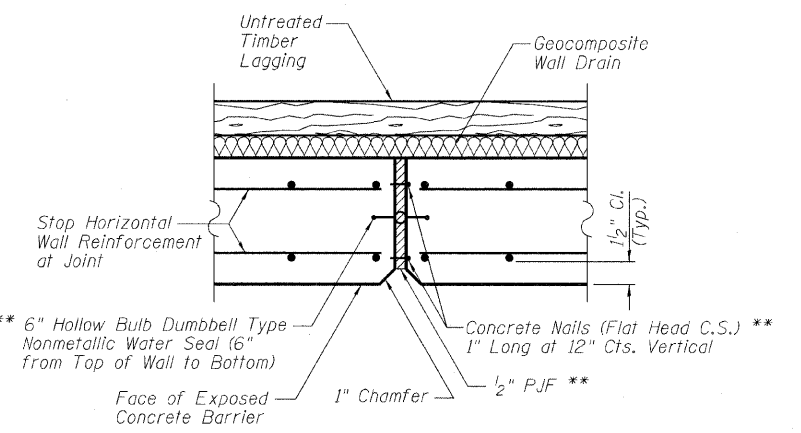
PIPE UNDERDRAIN DETAIL BETWEEN SOLDIER PILES

* Underdrain System Shall Extend to 1'-0" from the Ends of the Wall. Cost Included With "Pipe Underdrain for Structures, 4".



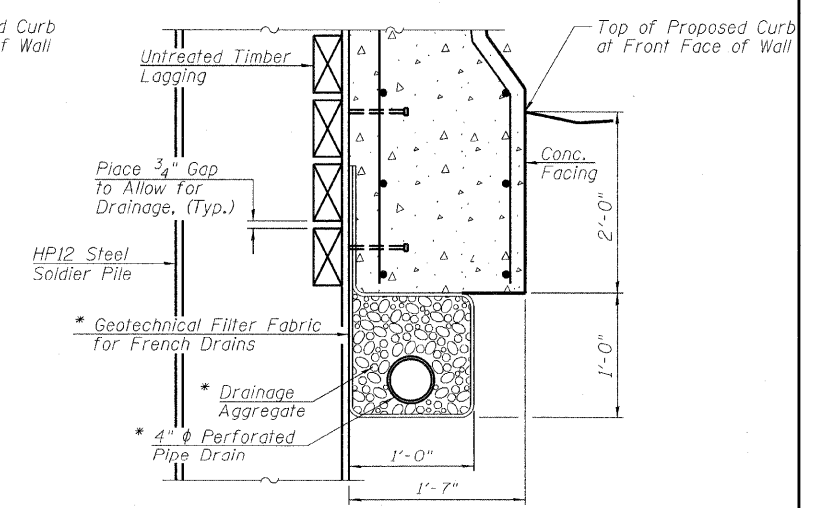
CONSTRUCTION JOINT

Note: Space Construction and Expansion Joints as shown on Sheet S1 Elevation.



EXPANSION JOINT

** Cost Included in Pay Item for Concrete Structures.



PIPE UNDERDRAIN DETAIL AT SOLDIER PILES

FILE NAME =	USER NAME =	DESIGNED - EM	REVISED - 8-31-2011 E.K.M.
		CHECKED - JMH	REVISED -
		DRAWN - DR	REVISED -
		CHECKED - JMH	REVISED -

**STATE OF ILLINOIS
DEPARTMENT OF TRANSPORTATION**

**TYPICAL WALL SECTION AND DETAILS
STRUCTURE NO. 049-W041**

F.A.P. R/F:	SECTION	COUNTY	TOTAL SHEETS	SHEET NO.
330	128R-3	LAKE	518	342
SHEET NO. S9-3 OF S9-9 SHEETS			CONTRACT NO. 60953	
ILLINOIS FED. AID PROJECT				