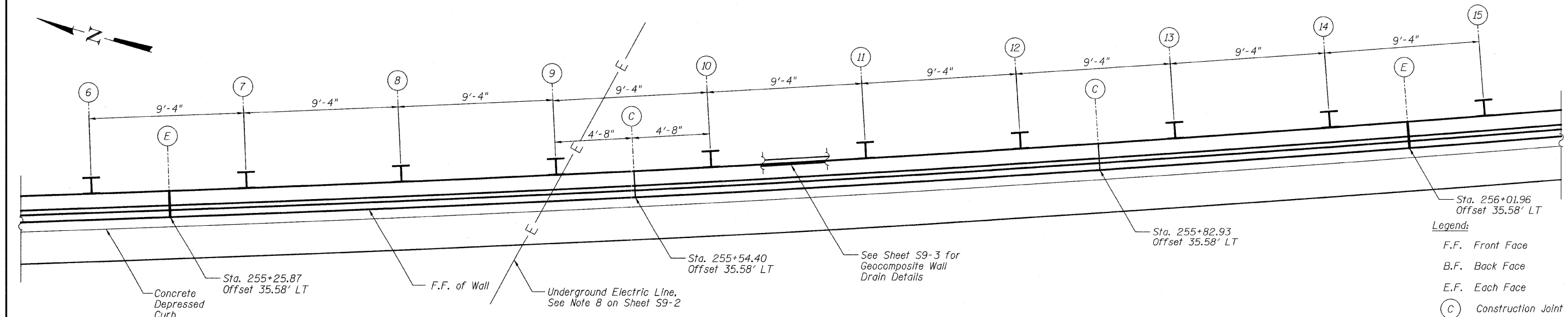


ELEVATION
(Looking at F.F. of Wall)

MINIMUM BAR LAPS:
No. 5 Bars - 2'-11"

- Notes:
1. See sheet S9-2 for pile tip elevations.
 2. Wall dimensions are measured along F.F. of the wall, stations are taken from ϕ 1-21.



PLAN

- Legend:
- F.F. Front Face
 - B.F. Back Face
 - E.F. Each Face
 - (C) Construction Joint
 - (E) Expansion Joint
 - (I) Panel Number
 - (1) Pile Number

FILE NAME =	USER NAME =	DESIGNED - EM	REVISD -	STATE OF ILLINOIS DEPARTMENT OF TRANSPORTATION	PARTIAL PLAN AND ELEVATION II STRUCTURE NO. 049-W041	F.A.P. RTE. 330	SECTION 128R-3	COUNTY LAKE	TOTAL SHEETS 518	SHEET NO. 344	
PLOT SCALE =	DRAWN - DR	CHECKED - JMH	REVISD -			SHEET NO. S9-5 OF S9-9 SHEETS					
PLOT DATE =	DRAWN - DR	CHECKED - JMH	REVISD -			CONTRACT NO. 60953					
						ILLINOIS FED. AID PROJECT					