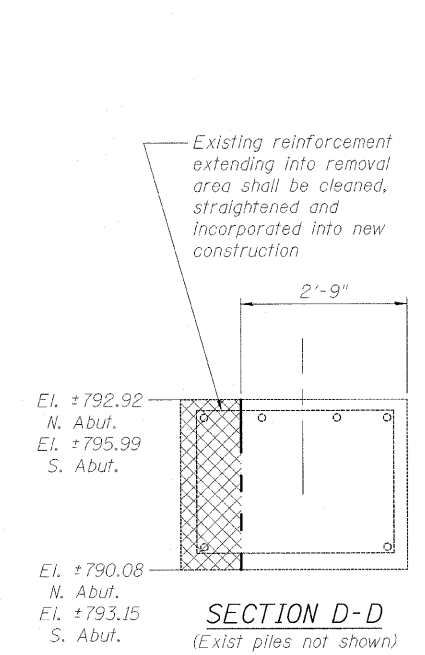
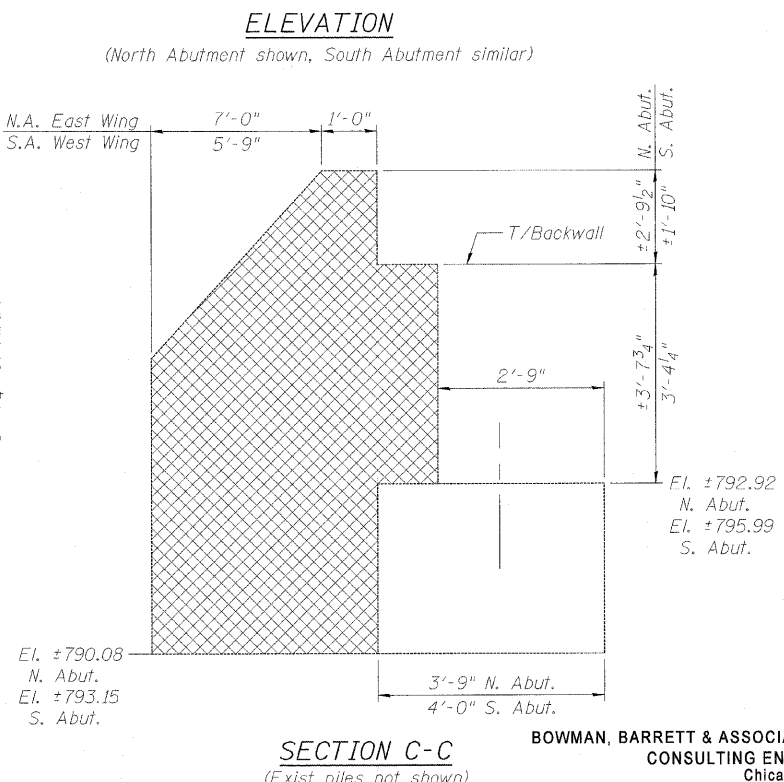
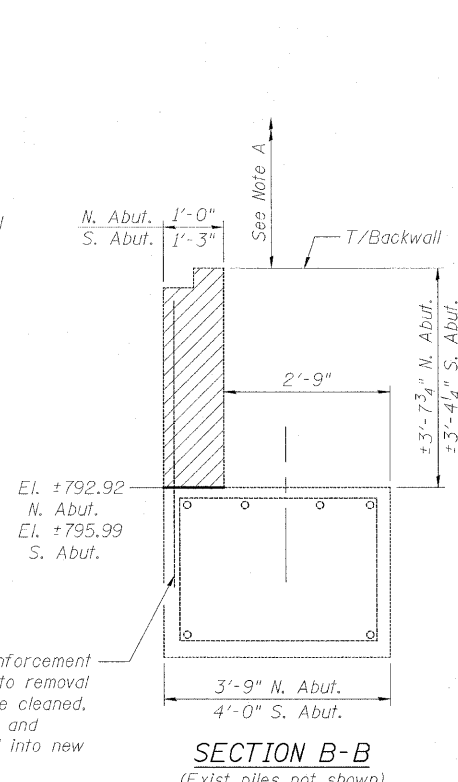
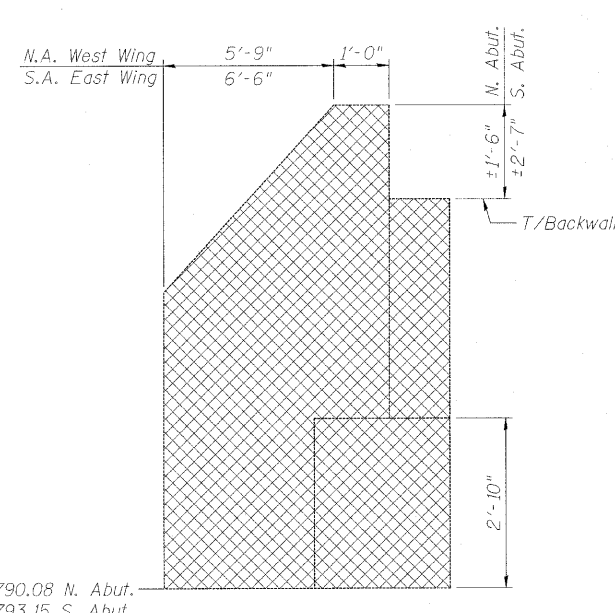
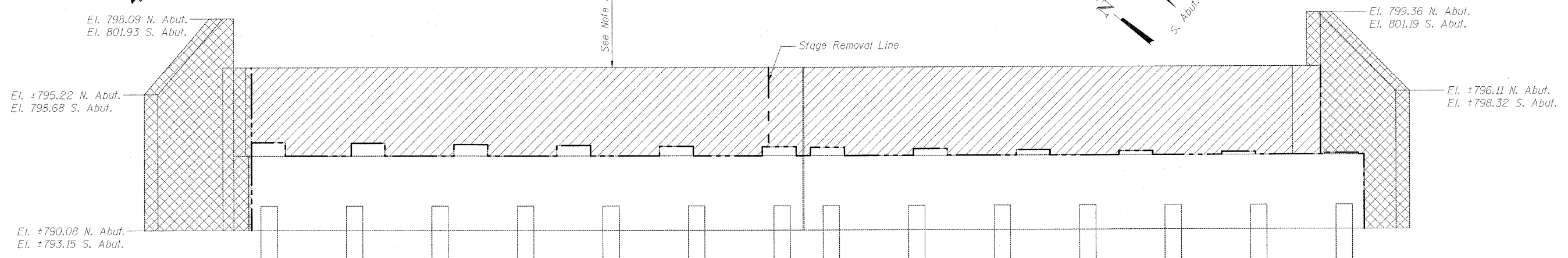
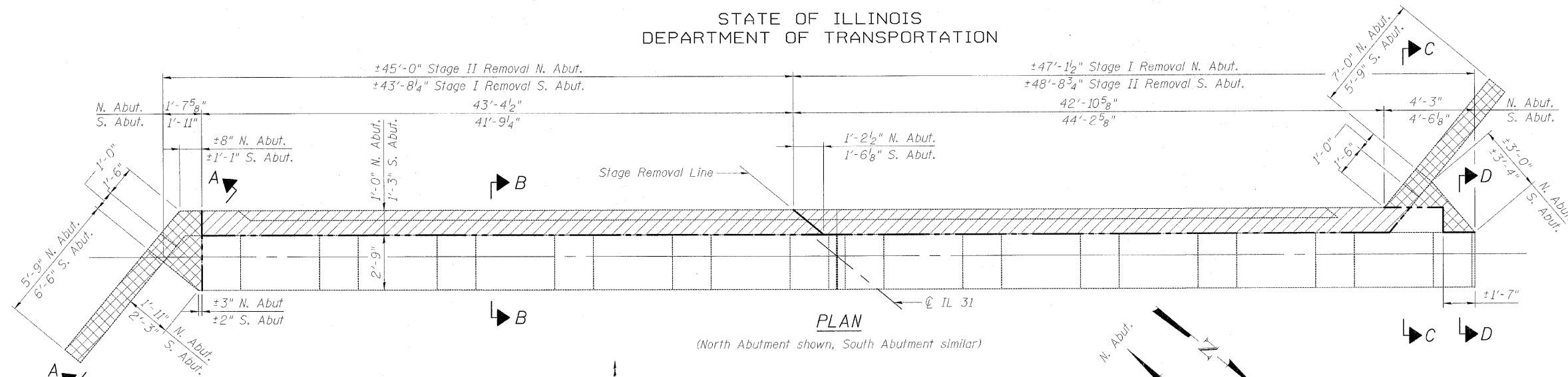


STATE OF ILLINOIS  
DEPARTMENT OF TRANSPORTATION



**LEGEND**

	Concrete Removal - backwall
	Concrete Removal - full depth

**BILL OF MATERIAL**

ITEM	UNIT	QUANTITY
Concrete Removal	Cu Yd	36.7

Note A:  
Concrete Removal above this point shall be included in the cost of Removal of Existing Concrete Deck.

**ABUTMENT REMOVAL DETAILS  
STRUCTURE NO. 045-0016**

DESIGNED - TAH
CHECKED - DF
DRAWN - LAM
CHECKED - TAH

BOWMAN, BARRETT & ASSOCIATES INC.  
CONSULTING ENGINEERS  
Chicago, Illinois  
312.228.0100  
www.bbandainc.com  
Job No. 910

SHEET NO. S-25	F.A.U. RTE. 3887	SECTION R-VB-R	COUNTY KANE	TOTAL SHEETS 83	SHEET NO. 59
S-34 SHEETS	CONTRACT NO. 60C06				
FED. ROAD DIST. NO. 1 ILLINOIS FED. AID PROJECT					