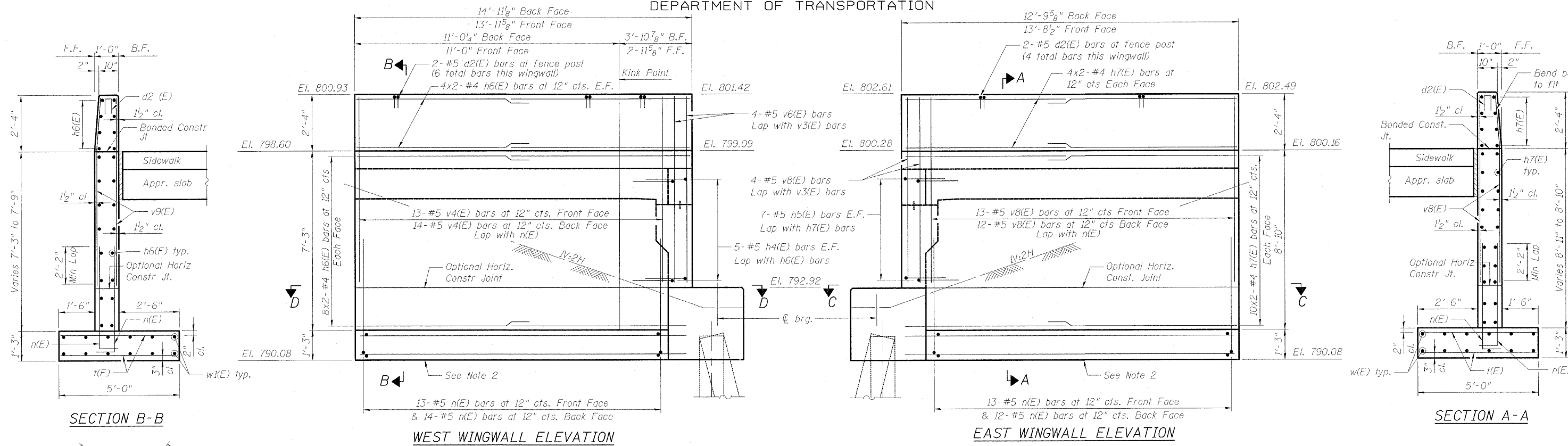
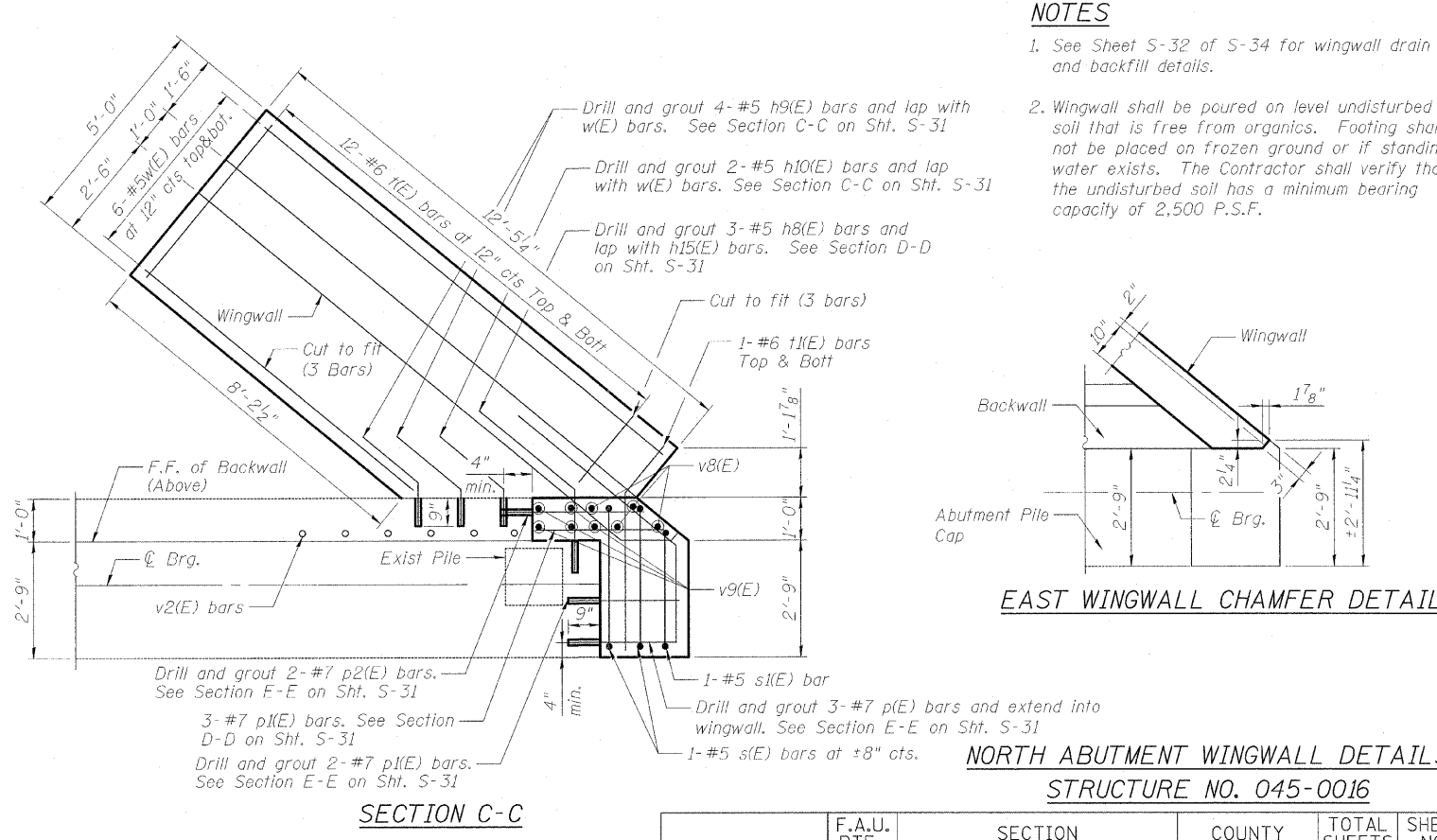
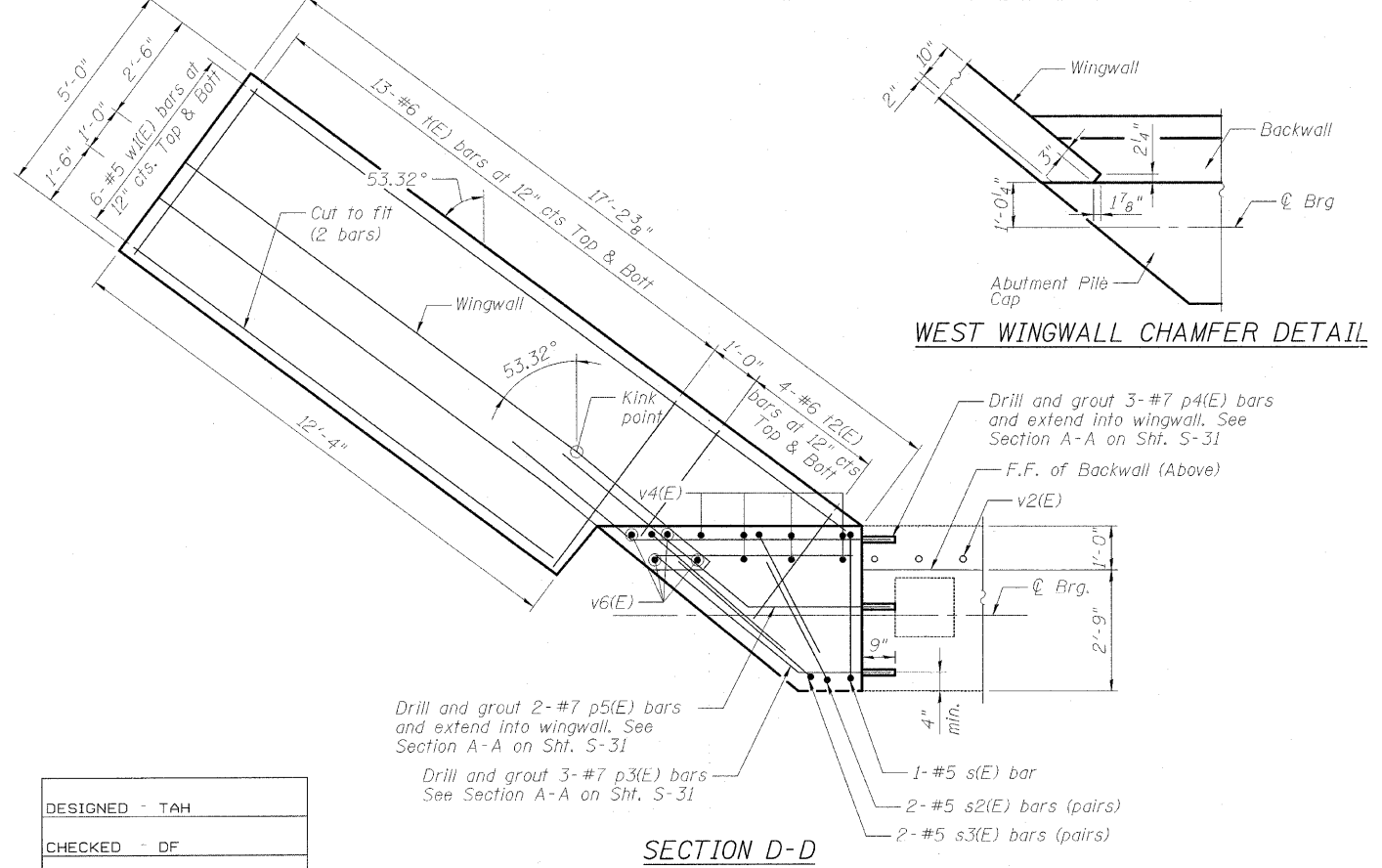


STATE OF ILLINOIS
DEPARTMENT OF TRANSPORTATION



- NOTES**
- See Sheet S-32 of S-34 for wingwall drain and backfill details.
 - Wingwall shall be poured on level undisturbed soil that is free from organics. Footing shall not be placed on frozen ground or if standing water exists. The Contractor shall verify that the undisturbed soil has a minimum bearing capacity of 2,500 P.S.F.



**NORTH ABUTMENT WINGWALL DETAILS
STRUCTURE NO. 045-0016**

DESIGNED	- TAH
CHECKED	- DF
DRAWN	- LAM
CHECKED	- TAH

BOWMAN, BARRETT & ASSOCIATES INC.
 CONSULTING ENGINEERS
 Chicago, Illinois
 312.228.0100
 www.bbainc.com
 Job No. 910

SHEET NO. S-28 S-34 SHEETS	F.A.U. RTE. 3887	SECTION R-VB-R	COUNTY KANE	TOTAL SHEETS 83	SHEET NO. 62
	CONTRACT NO. 60C06				
FED. ROAD DIST. NO. 1 ILLINOIS FED. AID PROJECT					