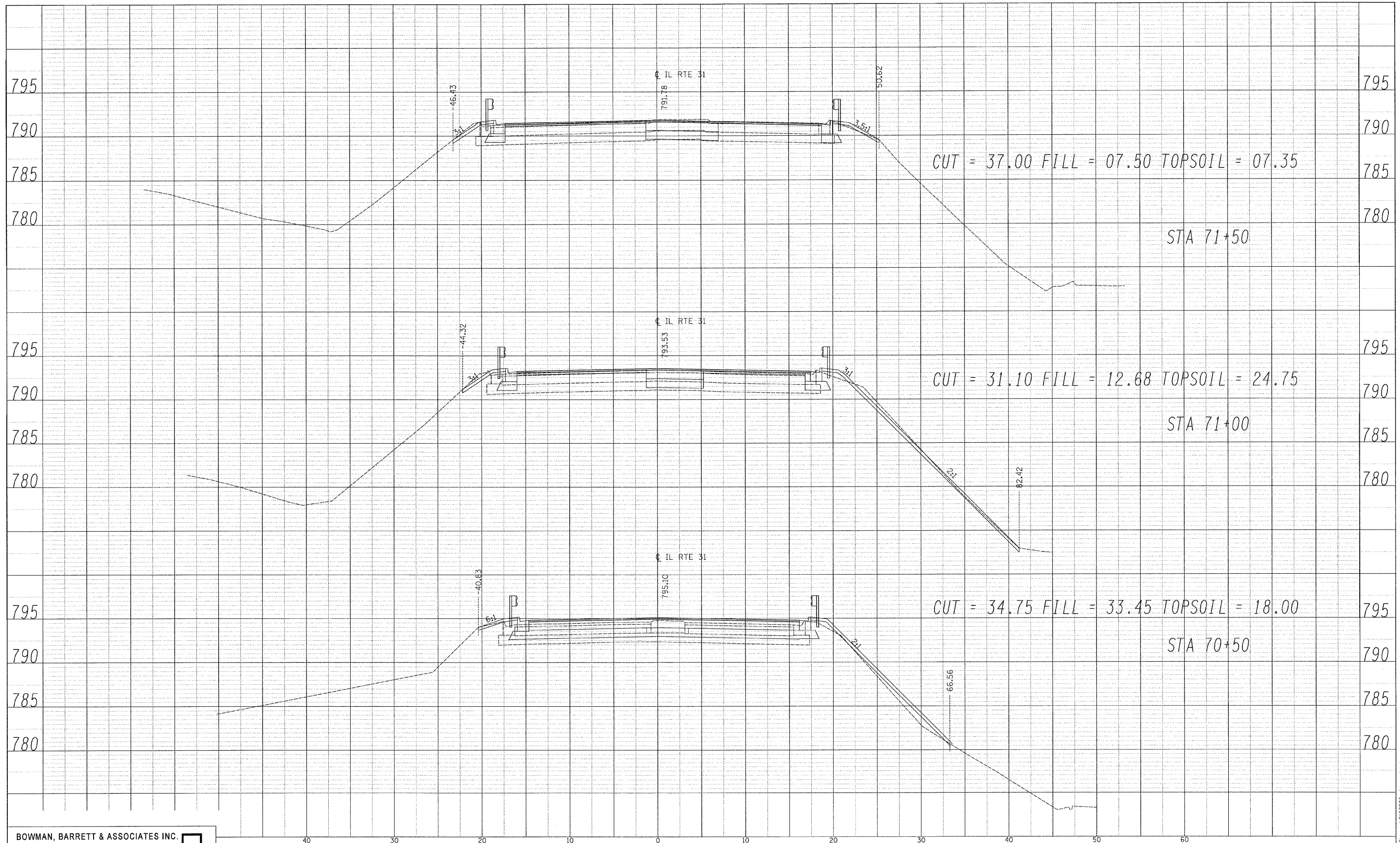


DATE	
BY	
PLAN	SURVEYED
	PLOTTED
	GRADES CHECKED
	RT. OF WAY CHECKED
	STRUCTURE NOTATIONS CHECKED
NO.	CADD FILE NAME

DATE	
BY	
PROFILE	SURVEYED
	PLOTTED
	GRADES CHECKED
	RT. OF WAY CHECKED
	STRUCTURE NOTATIONS CHECKED
NO.	CADD FILE NAME



**BOWMAN, BARRETT & ASSOCIATES INC.**  
CONSULTING ENGINEERS  
Chicago, Illinois  
312.228.0100  
www.bbandainc.com



FILE NAME = D168C06-ah1-wsht.dgn	USER NAME = default	DESIGNED -	REVISED -
		DRAWN -	REVISED -
		CHECKED -	REVISED -
		DATE - 07/01/2011	REVISED -

**STATE OF ILLINOIS**  
**DEPARTMENT OF TRANSPORTATION**

**ILLINOIS ROUTE 31 CROSS SECTIONS**  
SCALE: HOR 1"=10'  
VERT 1"=5'  
SHEET NO. 05 OF 06 SHEETS STA. TO STA.

F.A. R.T.E. 3887	SECTION R-VB-R	COUNTY KANE	TOTAL SHEETS 83	SHEET NO. 82
CONTRACT NO. 60C06			ILLINOIS FED. AID PROJECT	

m:\110\105-eadd\11-31\CADD Sheets\0168C06-ah1-wsht.dgn