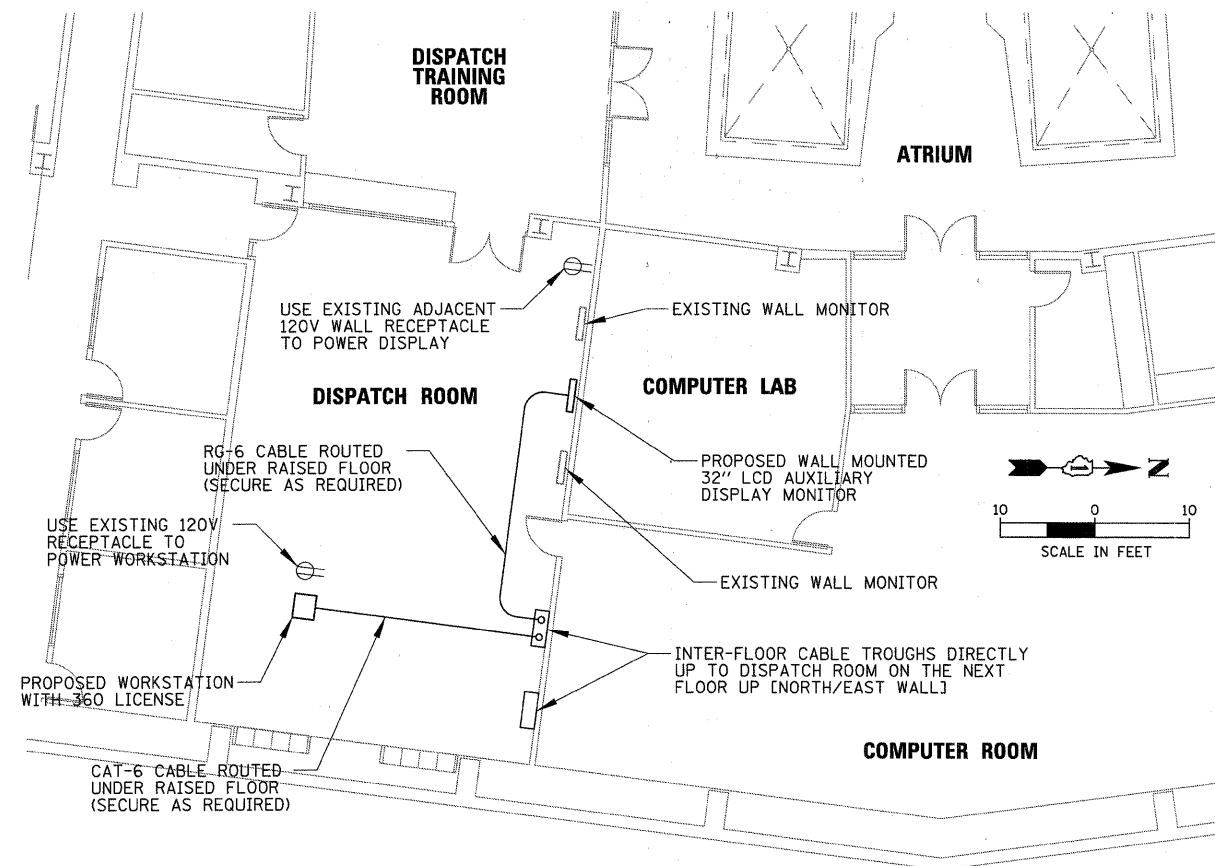
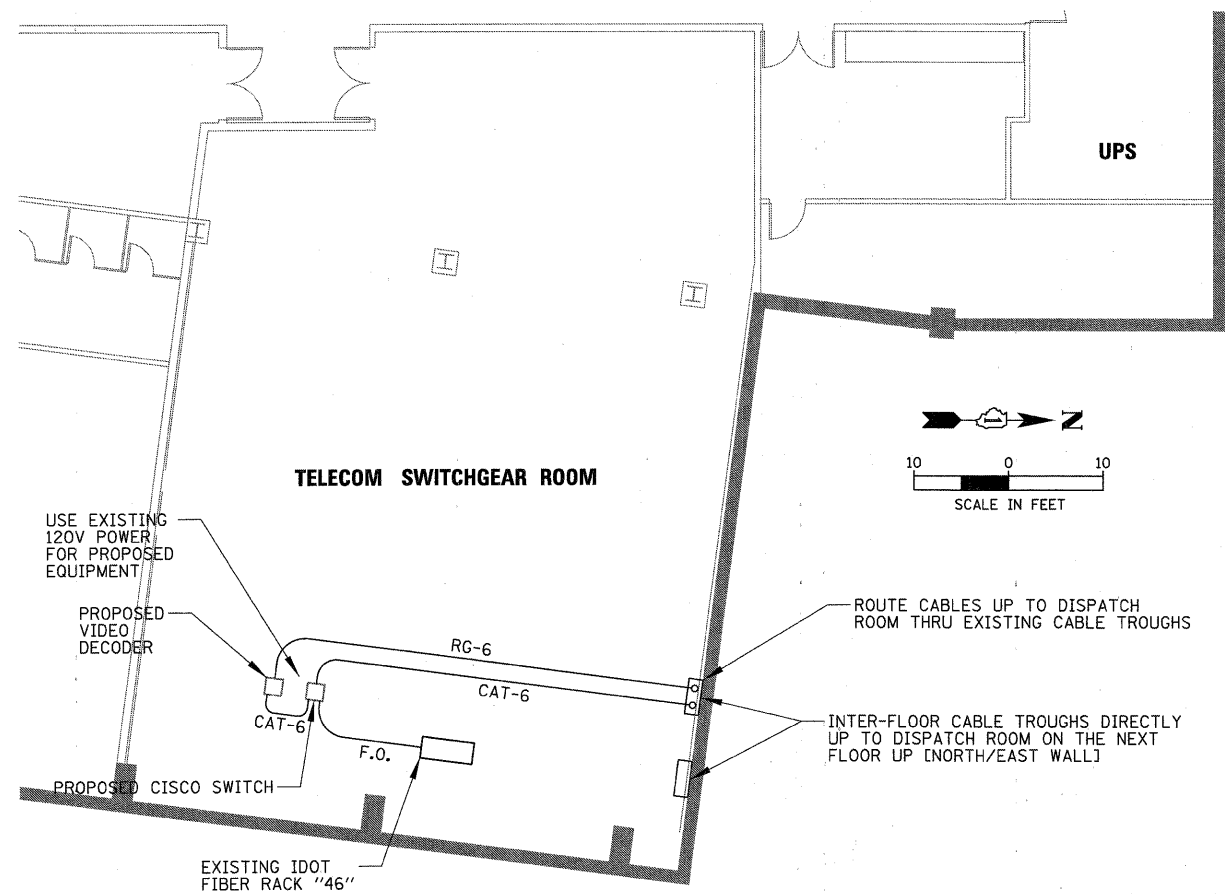


SCOPE OF WORK

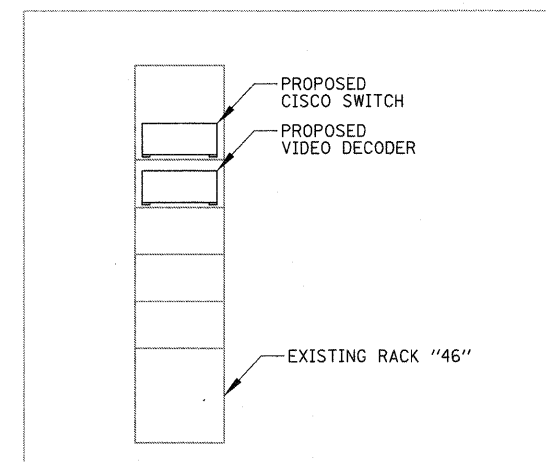
- CONTRACTOR SHALL COORDINATE, FURNISH, AND INSTALL ALL REQUIRED EQUIPMENT FOR THE ISP DISTRICT 15 TO VIEW VIDEO FROM UP TO 4 OF ANY OF IDOT'S TRAFFIC CAMERAS.



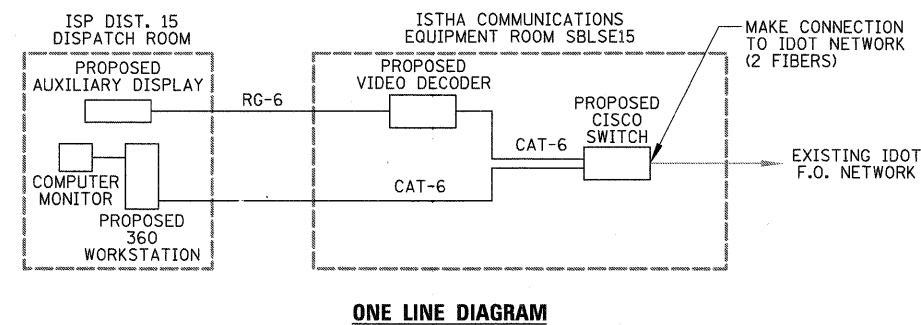
PARTIAL LOWER LEVEL FLOOR PLAN



PARTIAL SUB-LEVEL FLOOR PLAN



COMMUNICATIONS ROOM SBLSE15 - EQUIPMENT ELEVATION



ISP DISTRICT 15 / ISTHA HQ (DOWNERS GROVE)

