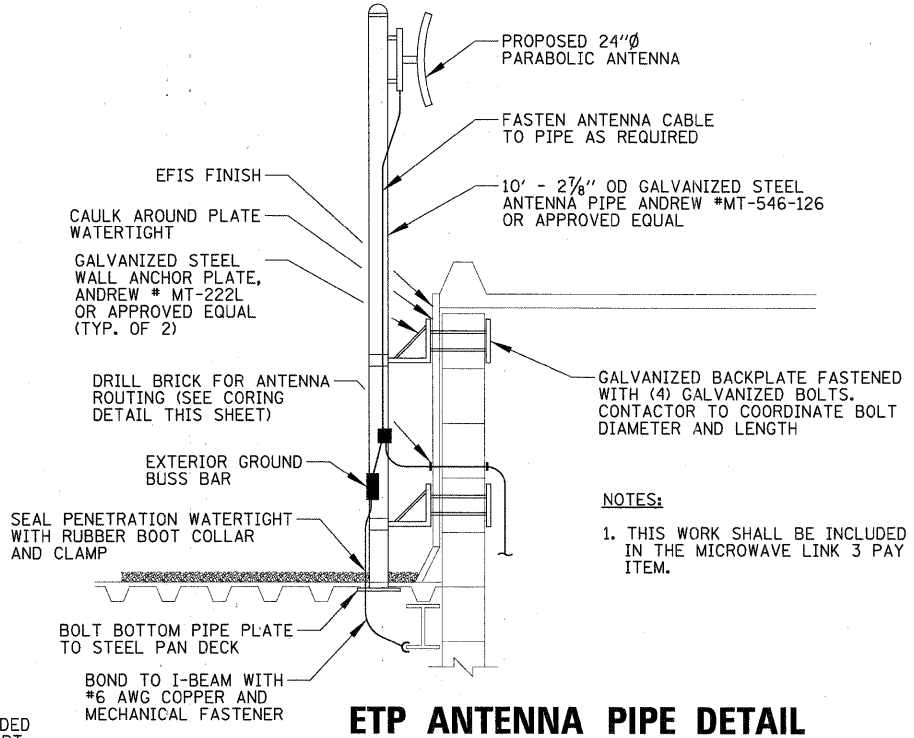


MONOPOLE DETAIL
N.T.S.

NOTES:
1. ALL WORK SHOWN SHALL BE INCLUDED IN THE MONOPOLE PAY ITEM, EXCEPT THE ANTENNA/ANTENNA CABLE AND RELATED EQUIPMENT WHICH SHALL BE PAID FOR UNDER THE MICROWAVE LINK 3 PAY ITEM.

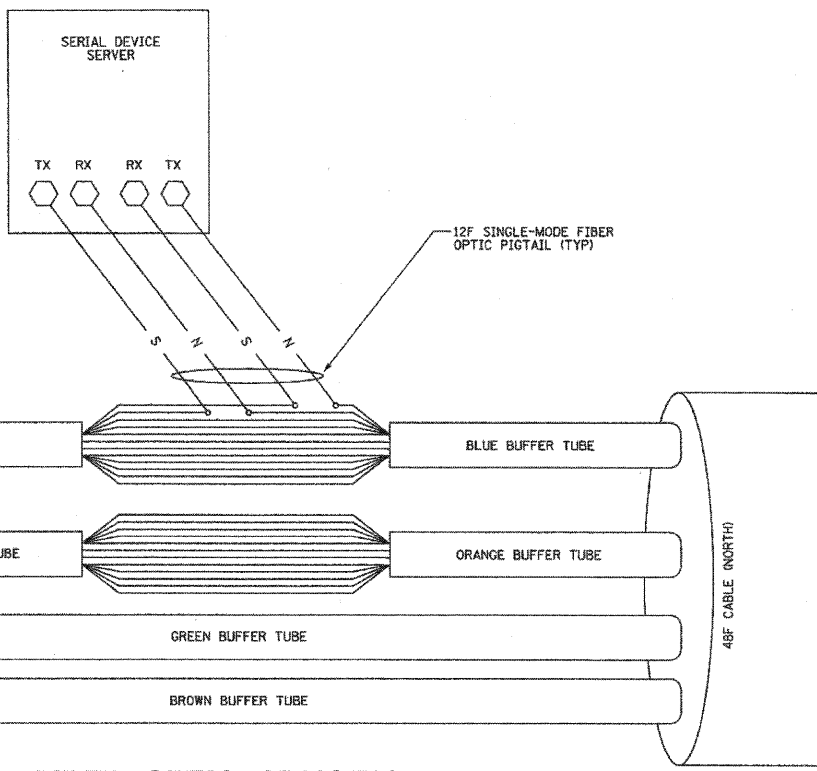


ETP ANTENNA PIPE DETAIL
N.T.S.

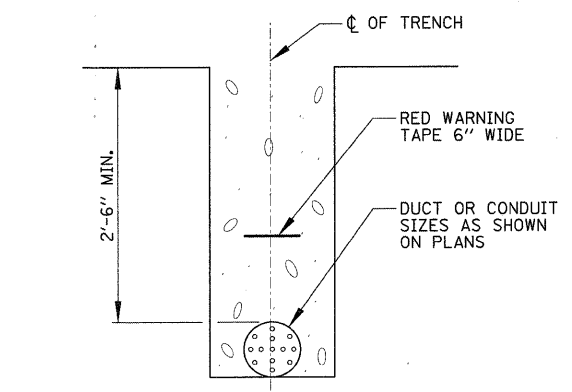
NOTES:
1. THIS WORK SHALL BE INCLUDED IN THE MICROWAVE LINK 3 PAY ITEM.

FIBER NO.	COLOR CODE	FUNCTION	APPLICATION DESCRIPTION
1	BLUE	IN TX	DATA CIRCUIT
2	ORANGE	IN RX	
3	GREEN	OUT RX	
4	BROWN	OUT TX	
5	SLATE	SPARE	FUTURE
6	WHITE	SPARE	
7	RED	SPARE	
8	BLACK	SPARE	DMS
9	YELLOW	IN TX	
10	VIOLET	IN RX	
11	ROSE	OUT RX	
12	AQUA	OUT TX	

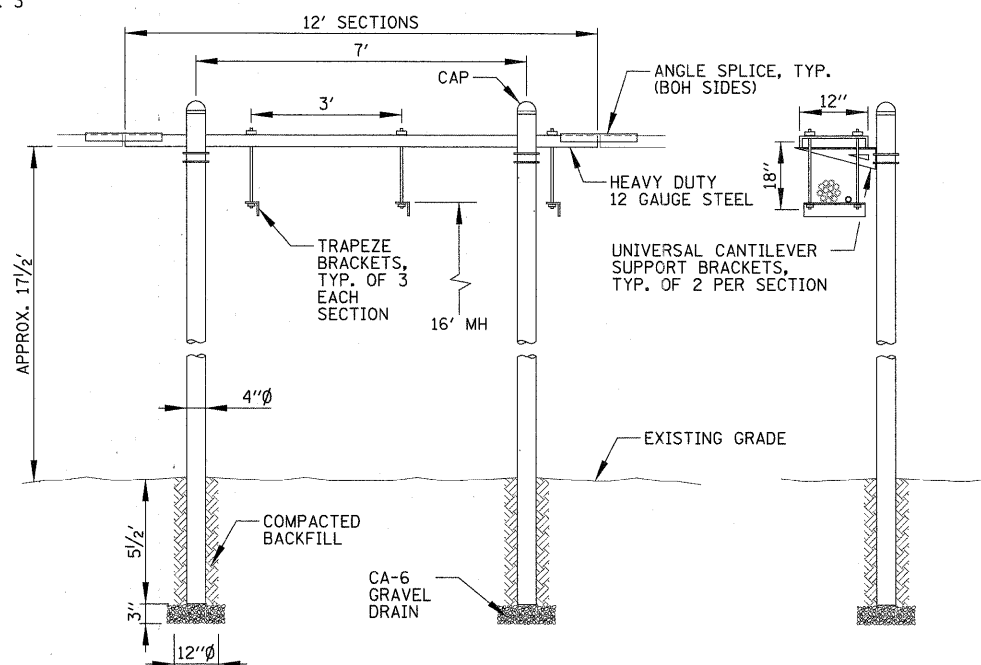
STANDARD 12-FIBER CABLE CONFIGURATION



FIBER OPTIC SPLICING DETAIL
N.T.S.

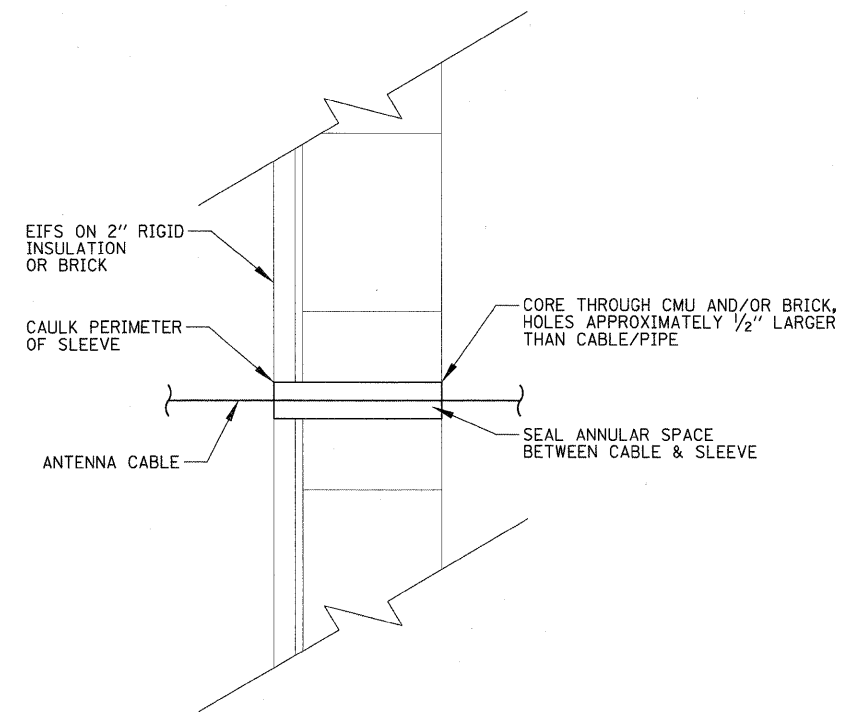


CONDUIT IN TRENCH DETAIL
N.T.S.



NEW ICE BRIDGE DETAIL
N.T.S.

NOTES:
1. THE ICE BRIDGE SHALL BE CONSTRUCTED AT ISP DISTRICT 5 IN JOLIET AND SHALL SPAN BETWEEN THE EXISTING TOWER AND BUILDING. THE SPAN IS APPROXIMATELY 60' IN LENGTH, CONTRACTOR SHALL VERIFY SPAN LENGTH AND ACTUAL SITE CONDITIONS.
2. THE BRIDGE SHALL SUPPORT THE PROPOSED WAVEGUIDE/COAX RUN PLUS ALL EXISTING WAVEGUIDE/COAX RUNS. THE BRIDGE SHALL BE CONSTRUCTED AROUND THE EXISTING RUNS, WHICH SHALL NOT BE DISCONNECTED NOR HAVE SERVICE INTERRUPTED. CONTRACTOR SHALL TAKE EXTREME CARE RESUPPORTING EXISTING RUNS.
3. ALL COMPONENTS SHALL BE HOT DIPPED GALVANIZED STEEL.



CORING DETAIL
N.T.S.

FILE NAME =	USER NAME = ADERICCO	DESIGNED = AJD	REVISED = -
N:\Idot\090122\Mech\090122_Details.DET_01.sht		DRAWN = KWB	REVISED = -
		CHECKED = JPC	REVISED = -
		DATE = 5/12/2011	REVISED = -

STATE OF ILLINOIS
DEPARTMENT OF TRANSPORTATION

ITS CENTER-TO-CENTER INTEGRATION PROJECT				
DETAILS (1 OF 3)				
SCALE: N.T.S.	SHEET NO.	OF SHEETS	STA.	TO STA.

CHRISTOPHER B. BURKE ENGINEERING, LTD.
9575 W. Higgins Road, Suite 600
Rosemont, Illinois 60018
(847) 823-0500

F.A. RTE.	SECTION	COUNTY	TOTAL SHEETS	SHEET NO.
	2009-0871	VARIES	17	15
CONTRACT NO. 60134				
ILLINOIS FED. AID PROJECT				