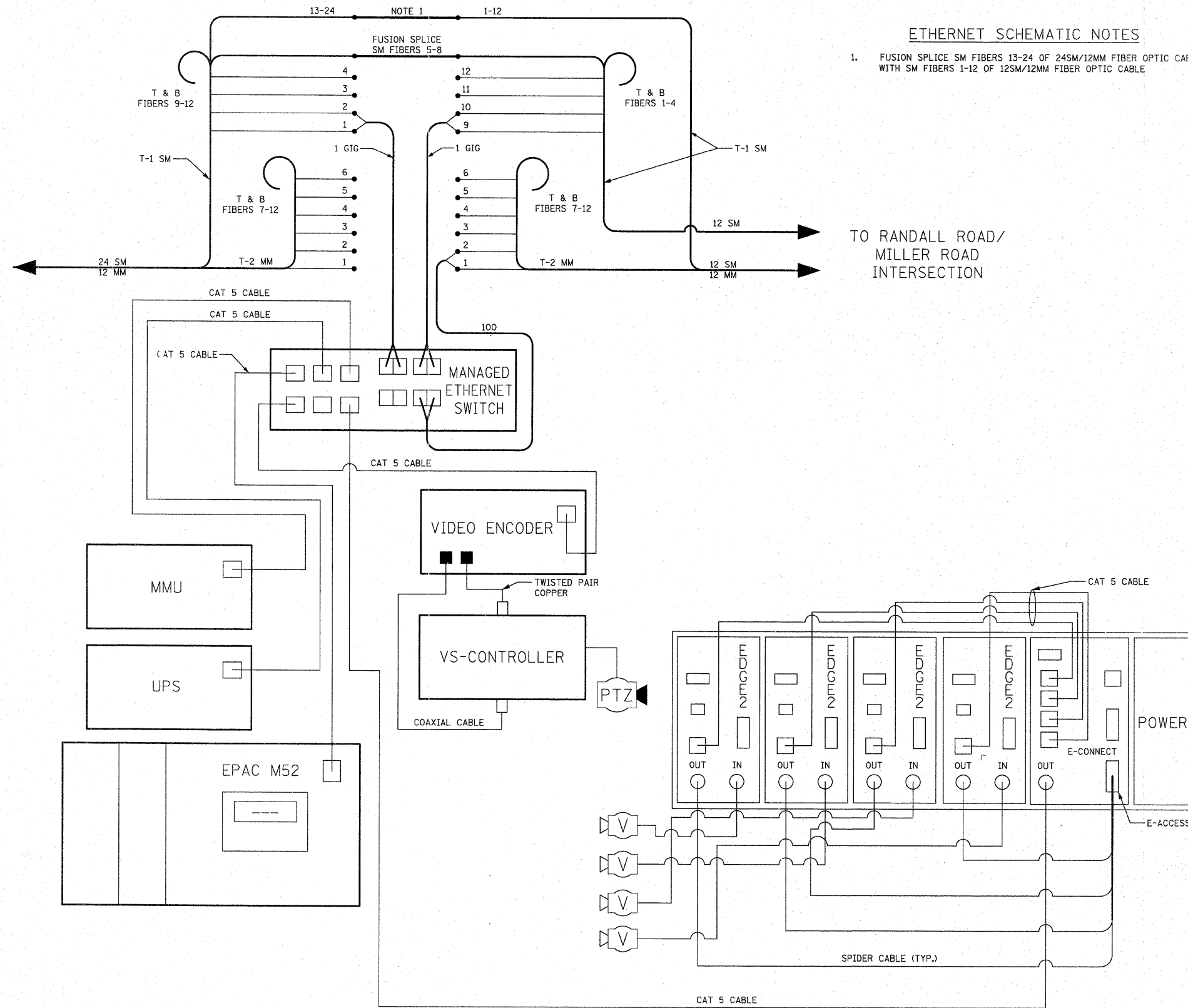


TO RANDALL ROAD/
IL ROUTE 72
INTERSECTION
(SEE SHEET 1 OF 2)



ETHERNET SCHEMATIC NOTES

1. FUSION SPLICE SM FIBERS 13-24 OF 24SM/12MM FIBER OPTIC CABLE WITH SM FIBERS 1-12 OF 12SM/12MM FIBER OPTIC CABLE

RANDALL ROAD AT BINNIE ROAD

FILE NAME =	USER NAME = brd	DESIGNED BRD	REVISED -	STATE OF ILLINOIS DEPARTMENT OF TRANSPORTATION	RANDALL ROAD NORTHWEST PKWY/JOY LN. TO BINNIE ROAD ETHERNET SCHEMATIC	F.A.P. RTE.	SECTION	COUNTY	TOTAL SHEETS	SHEET NO.	
...VP110008-15_KDOT Ethernet Schematic 2.dgn	DRAWN OJT	REVISED -	341			62-N-1	KANE	148	80		
PLOT SCALE = 20.0000 / in.	CHECKED JJE	REVISED -	CONTRACT NO. 60K09								
PLOT DATE = 3/23/2011	DATE 03/25/2011	REVISED -	ILLINOIS FED. AID PROJECT								
					NOT TO SCALE	SHEET NO. 2 OF 2 SHEETS	STA.	TO STA.			