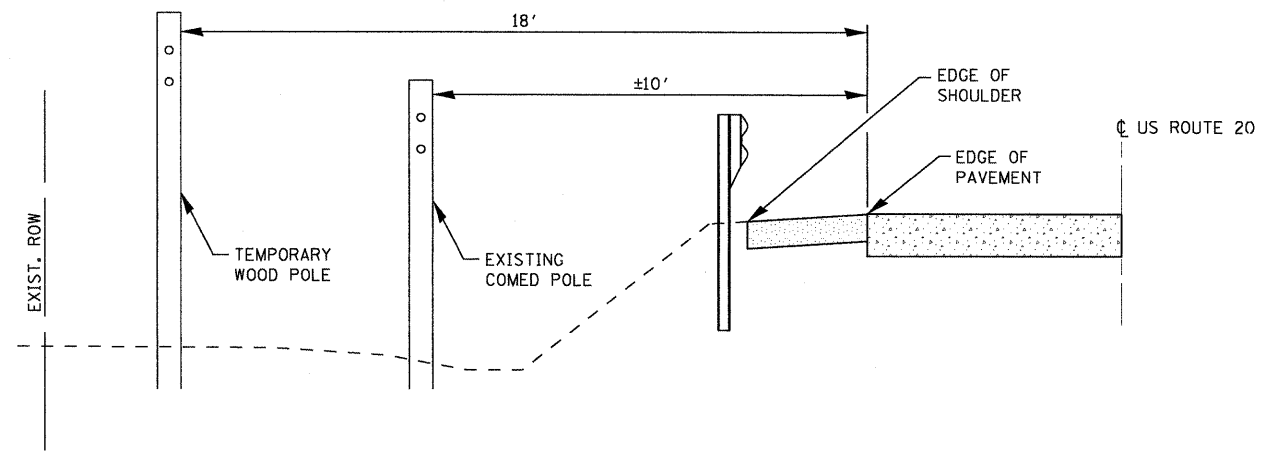
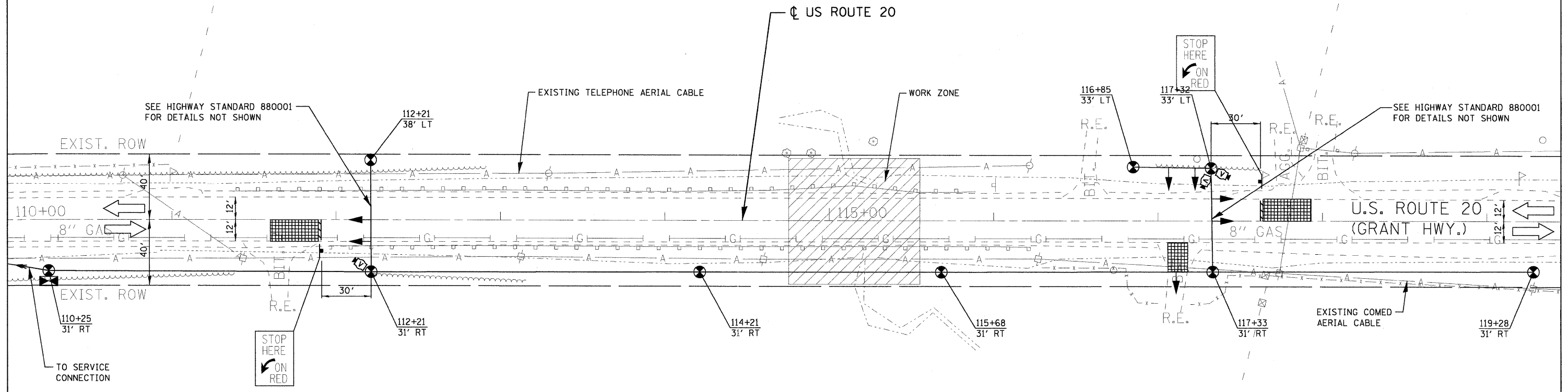




NOTES:

- * EXACT PLACEMENT OF TEMPORARY WOOD POSTS TO BE DETERMINED IN THE FIELD BY THE RESIDENT ENGINEER.
- * ALL VIDEO DETECTION ZONES ARE TO BE REDEFINED DURING EACH STAGE OF CONSTRUCTION AND ARE INCIDENTAL TO THE COST OF TEMPORARY BRIDGE TRAFFIC SIGNAL INSTALLATION.



CROSS SECTION DETAIL
NOT TO SCALE
LOOKING SOUTH

THIS SHEET TO BE WORKED WITH DISTRICT 1
DETAIL "TEMPORARY LIGHTING AND TRAFFIC
SIGNALS FOR SINGLE LANE STAGING" AND THE
MAINTENANCE OF TRAFFIC PLANS.

TEMPORARY TRAFFIC SIGNAL LEGEND

- TEMPORARY WOOD POLE
NOMINAL 60 FT, CLASS 4
- TEMPORARY TRAFFIC SIGNAL
HEAD SPAN WIRE MOUNTED
- TEMPORARY SPAN WIRE
TETHER WIRE, AND CABLE
- VIDEO DETECTION CAMERA
- TEMPORARY CONTROLLER
CABINET
- VIDEO DETECTION ZONE

FILE NAME = G:\p\proj\2102155_003\CADD\Cvt11\Sh\A\1660M53-13aht-Signal.dgn



USER NAME = 2KUJAWC	DESIGNED - DJB	REVISED - 9-8-11 Rev.
DRAWN - ENTRAN	CHECKED - TMH	REVISED -
PLOT SCALE = 30.00' / IN.	DATE - 06/24/11	REVISED -
PLOT DATE = 08/17/2011		

**STATE OF ILLINOIS
DEPARTMENT OF TRANSPORTATION**

**FAP ROUTE 525 (US ROUTE 20) OVER DRAINAGE DITCH
TEMPORARY TRAFFIC SIGNAL PLAN**

SCALE: 1" = 30' SHEET NO. OF SHEETS STA. TO STA.

F.A.P. RTE. 525	SECTION 11-T-1	COUNTY McHENRY	TOTAL SHEETS 34	SHEET NO. 13
FED. ROAD DIST. NO. ILLINOIS FED. AID PROJECT			CONTRACT NO. 60M53	