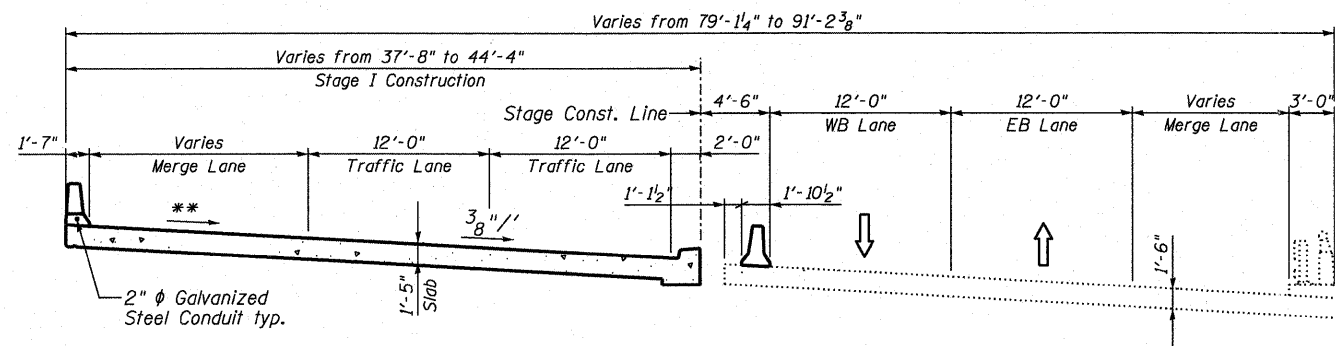
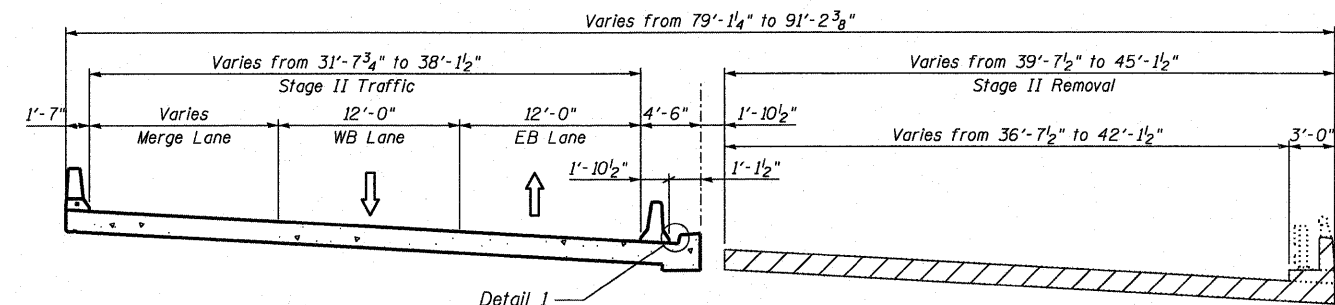


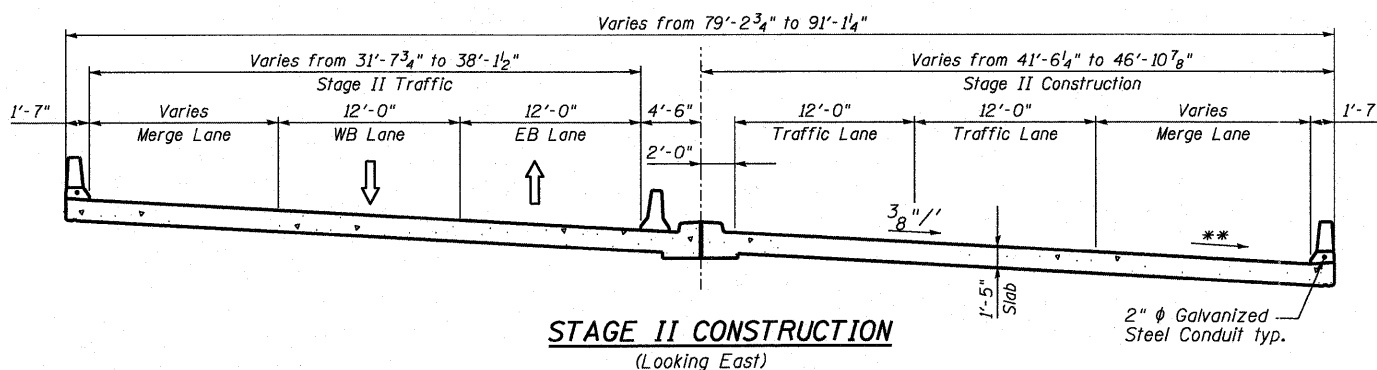
STAGE I REMOVAL
(Looking East)



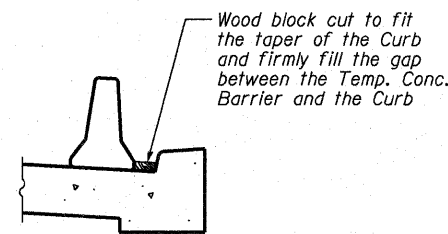
STAGE I CONSTRUCTION
(Looking East)



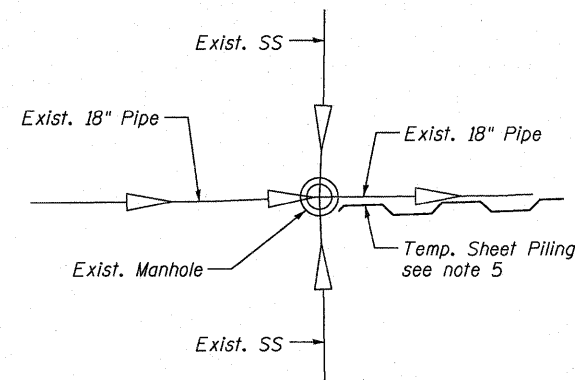
STAGE II REMOVAL
(Looking East)



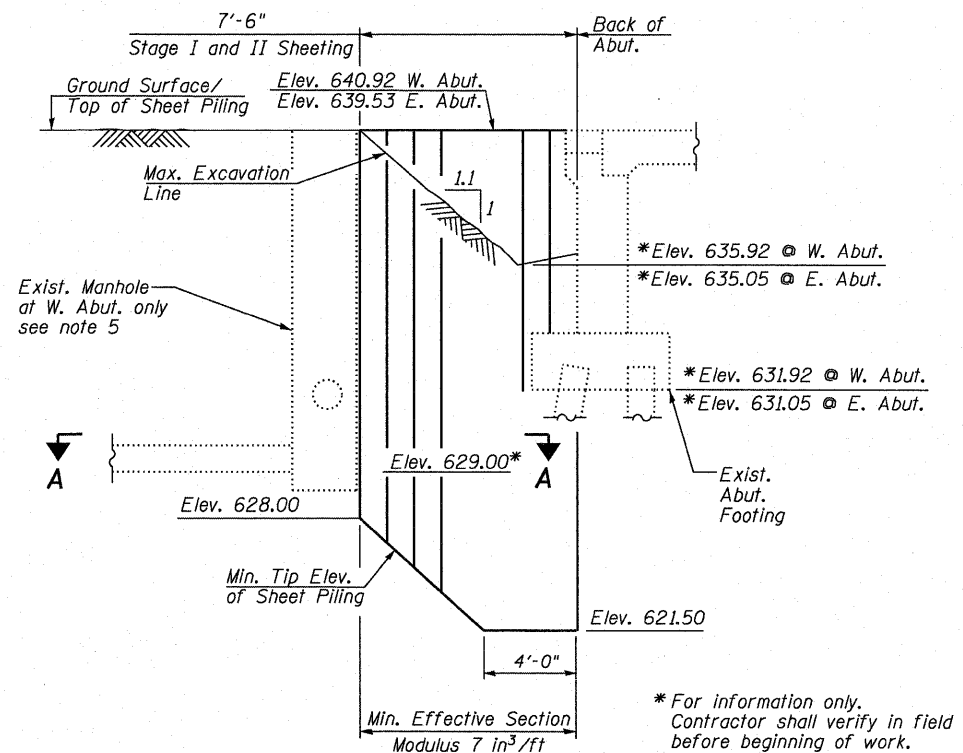
STAGE II CONSTRUCTION
(Looking East)



DETAIL 1



SECTION A-A



TEMPORARY SHEET PILING AT ABUTMENTS
(Slope and distance shown along alignment of sheeting)

BILL OF MATERIAL

ITEM	UNIT	QUANTITY
Temporary Sheet Piling	Sq. Ft.	258

NOTES:

- The Contractor shall connect the first sheet to the Existing abutment wall to ensure stability of sheets driven to the top of the existing footing. This connection shall be reviewed and accepted by the Engineer and included in the cost of temporary sheet piling.
- If the Contractor chooses to alter the temporary cantilevered sheet piling design requirements shown on the plans, a design submittal sealed by a licensed Illinois Structural Engineer including plan details and calculations will be required for review and acceptance by the Engineer.
- See sheet S22 for Temporary Concrete Barrier.
- See Roadway plans for Temporary Concrete Barrier quantities.
- Sheet piling to avoid existing 18" storm main as well as existing laterals. The Contractor to verify location of existing drainage system prior to beginning of work and to maintain positive drainage through duration of construction. Cost of this work is included in pay item Temporary Sheet Piling. For details on the existing drainage system see sheet 15.

** Varies, see Slab and Approach Slabs Elevation plans

8/9/2011 2:23:34 PM F:\Projects\100001\0273\CADD\CADD Sheets\Structural\0490088-003-Staging.DGN

FILE NAME	DESIGNED	EV	REVISED	-
... \0490088-003-Staging.DGN	DRAWN	EV	REVISED	-
PLOT TIME = 2:23:34 PM	CHECKED	PC	REVISED	-
PLOT DATE = 8/9/2011	DATE	08 09 2011	REVISED	-

DESIGNED	EV	REVISED	-
DRAWN	EV	REVISED	-
CHECKED	PC	REVISED	-
DATE	08 09 2011	REVISED	-

SEPSTEIN
800 WEST FULTON STREET
CHICAGO, ILLINOIS
60601-1209
TEL 312 454 9100
FAX 312 589 1217
WEB www.sepsteincad.com

STATE OF ILLINOIS
DEPARTMENT OF TRANSPORTATION

STAGE CONSTRUCTION AND TEMPORARY SHEET PILING DETAILS
STRUCTURE NO. 049-0088
SHEET NO. 53 OF 522 SHEETS

F.A.U. RTE.	SECTION	COUNTY	TOTAL SHEETS	SHEET NO.
1257	104RB-R	LAKE	54	22
			CONTRACT NO. 62102	
[ILLINOIS] FED. AID PROJECT				