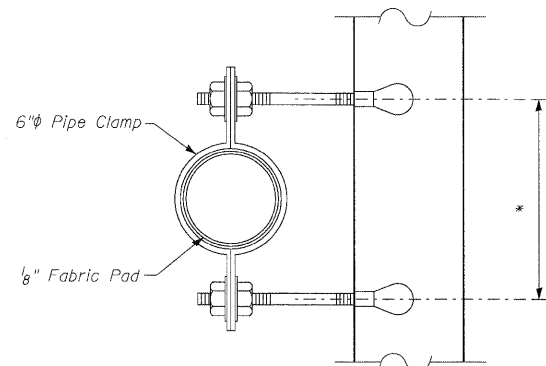


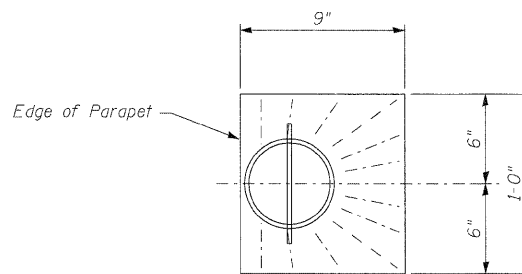
SECTION AT PARAPET

**See sheet 16 of 24 for Insert locations

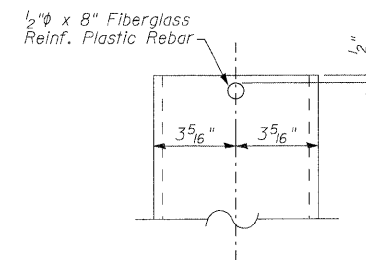


SECTION A-A

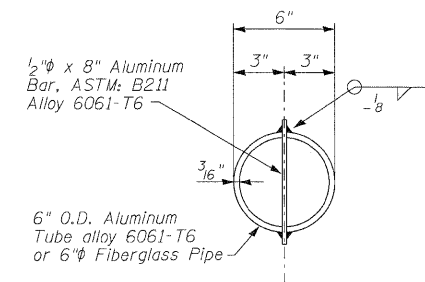
*Dimension as required by Pipe Clamp.



TOP PLAN

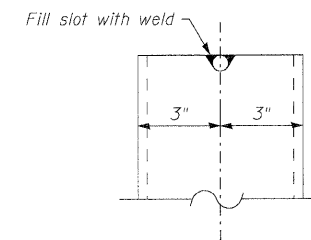


FIBERGLASS PIPE



TOP PLAN

(Showing Aluminum Tube)



ALUMINUM TUBE

BILL OF MATERIAL

ITEM	UNIT	QUANTITY
Floor Drains	Each	4

NOTES:

Fiberglass pipe shall conform to ASTM D2996, with short-time rupture strength hoop tensile stress of 30,000 p.s.i. minimum.
 The exterior surfaces of the floor drains shall be coated or pigmented by the manufacturer with a color that matches the concrete.
 The clamping device and inserts shall be galvanized according to AASHTO M-232.