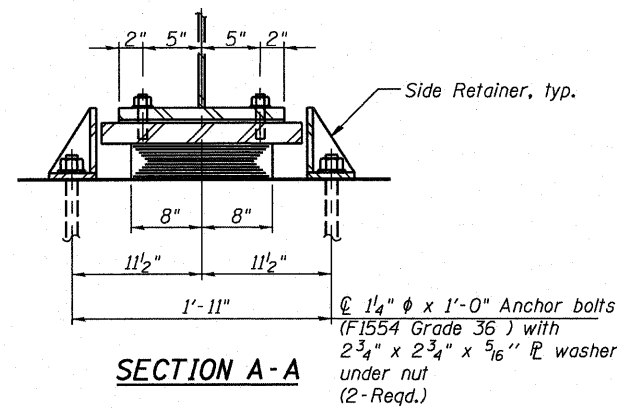
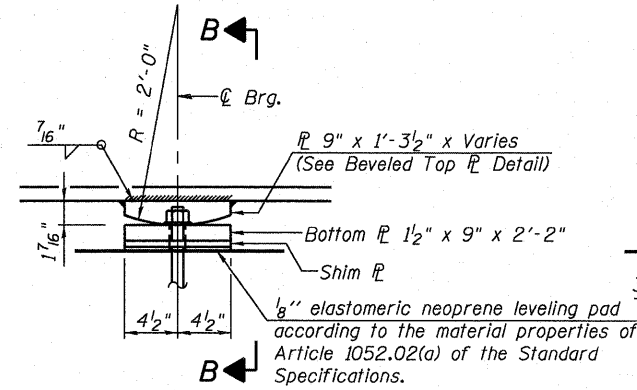


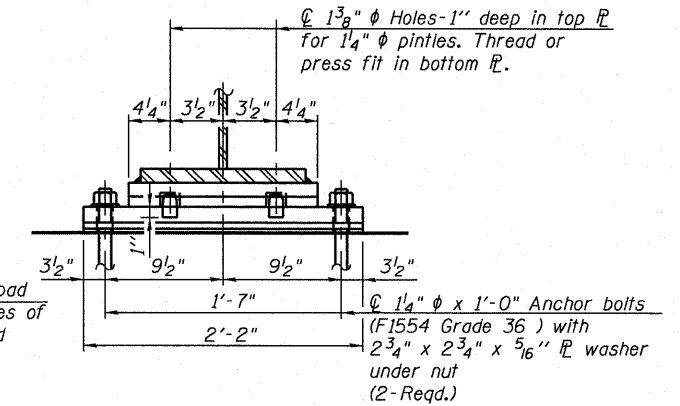
**ELEVATION**



**SECTION A-A**

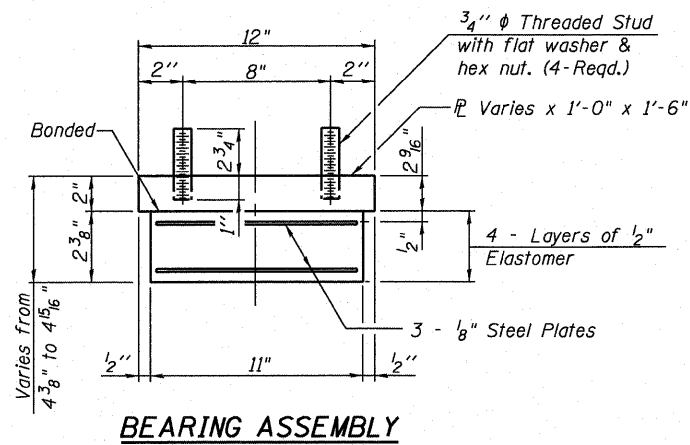


**ELEVATION AT PIER**



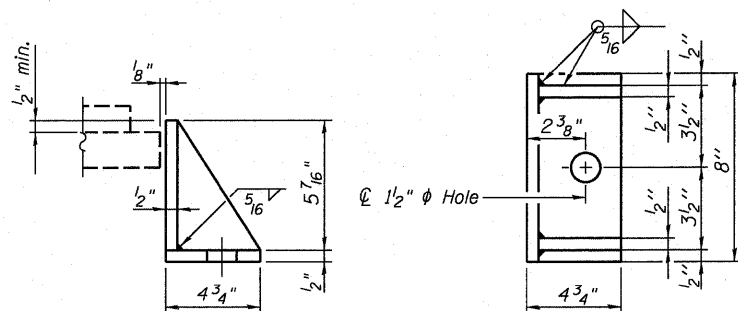
**SECTION B-B**

**TYPE I ELASTOMERIC EXP. BRG.**  
(at Piers 1 and 3)



**BEARING ASSEMBLY**

Note:  
Shim plates shall not be placed under Bearing Assembly.



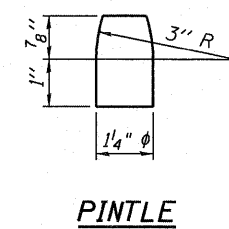
**SIDE RETAINER**

Equivalent rolled angle with stiffeners will be allowed in lieu of welded plates.

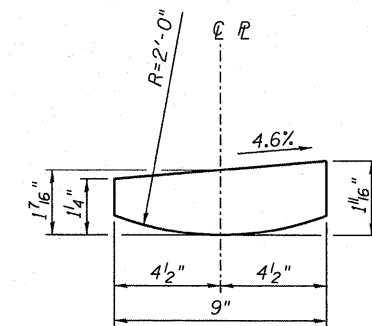
**Notes:**

- Anchor bolts shall be ASTM F1554 all-thread (or an Engineer-approved alternate material) of the grade(s) and diameter(s) specified. ASTM A307 Grade C anchor bolts may be used in lieu of ASTM F1554 Grade 36 (Fy=36ksi). The corresponding specified grade of AASHTO M314 anchor bolts may be used in lieu of ASTM F1554.
- Anchor bolts at fixed bearings may be either cast in place or installed in holes drilled after the supported member is in place.
- Anchor bolts for side retainers may be cast in place or installed in holes drilled before or after members are in place.
- Drilled and set anchor bolts shall be installed according to Article 521.06 of the Standard Specifications.
- Cost of installation of side retainers and other steel members required for the elastomeric bearing assembly shall be included in the cost of Elastomeric Bearing Assembly, Type I.
- The structural steel plates and side retainers of the Bearing Assembly shall conform to the requirements of AASHTO M 270 Grade 50.
- Two 1/8 in. adjusting shims shall be provided for each bearing in addition to all other plates or shims and placed as shown on bearing details.
- For Fixed Bearing on Pier 2 the orientation of the Beveled Top plate to be installed on the bottom flange of the beams shall be as follows:
  - Beam numbers 1, 2 & 3: The thicker (1 1/16") edge of the Top Plate shall face east towards the increasing station when erected on the Pier.
  - Beam numbers 4, 5 & 6: The thicker (1 1/16") edge of the Top Plate shall face west towards decreasing station when erected on the Pier.

**FIXED BEARING**  
(at Pier 2)



**PINTLE**



Upstation Beams 1 thru 3 shown  
Downstation Beams 4 thru 6 opposite hand

**BEVELED TOP PLATE DETAIL**

see Note 8

**BILL OF MATERIAL**

Item	Unit	Total
Elastomeric Bearing Assembly, Type I	Each	12
Anchor Bolts, 1 1/4"	Each	36