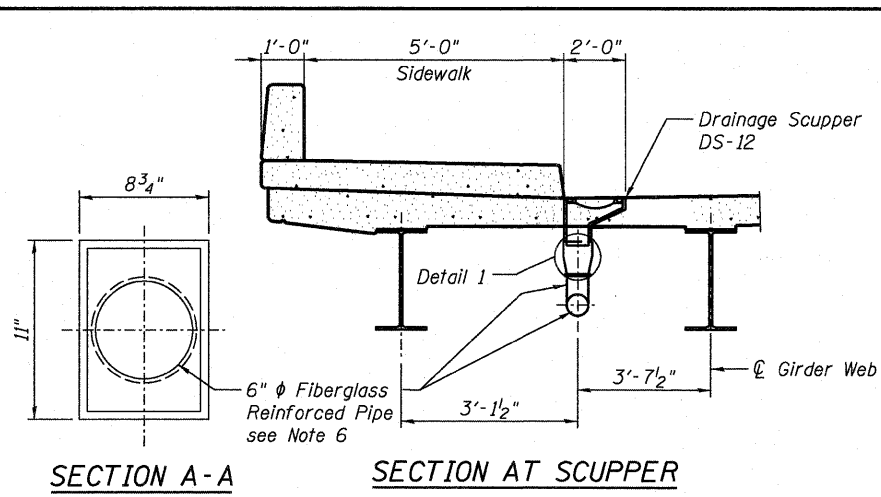


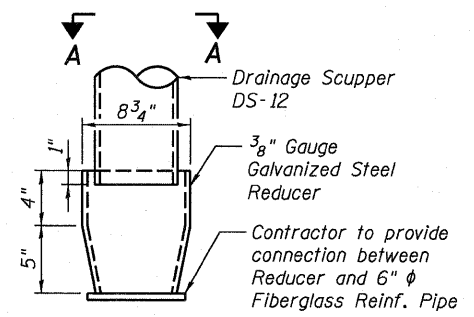
\*For details and quantities, see Roadway sheet 14

PLAN

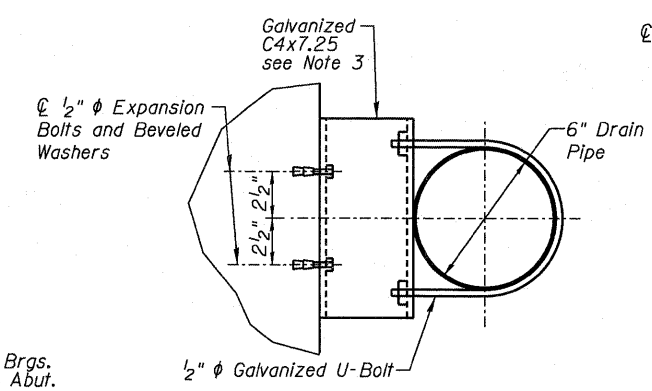


SECTION A-A

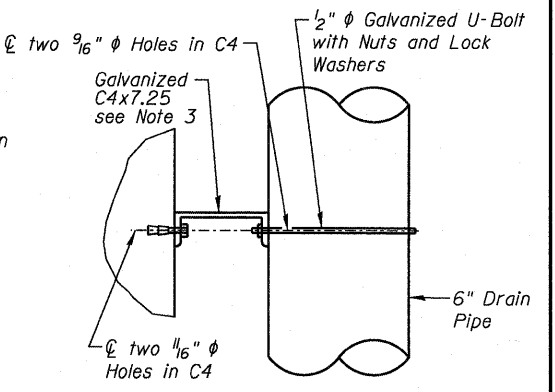
SECTION AT SCUPPER



DETAIL 1

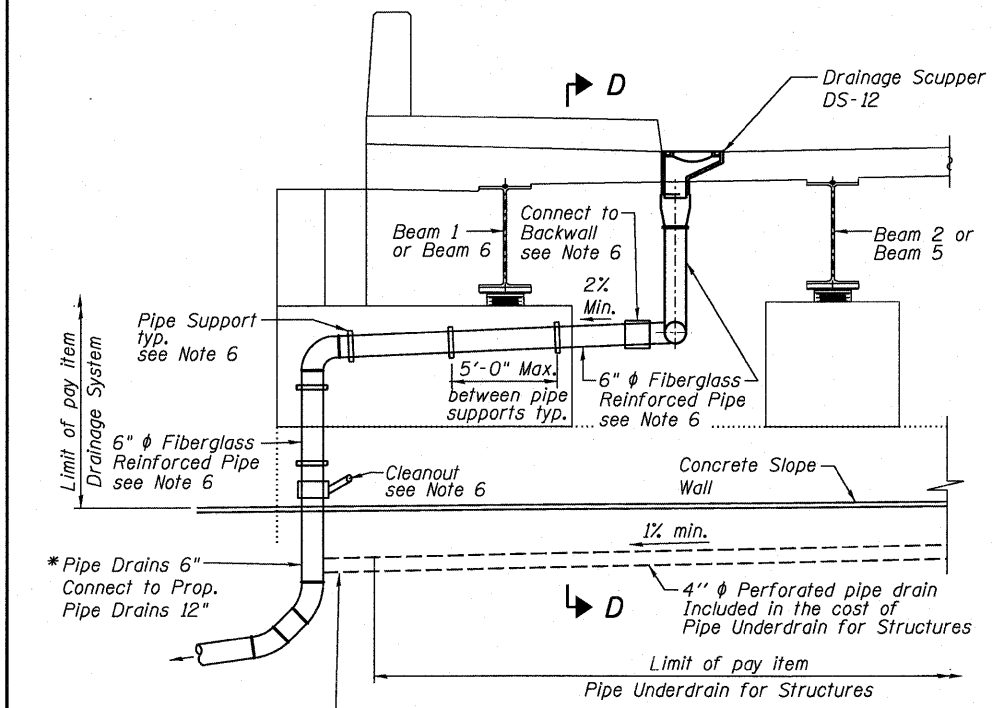


PLAN

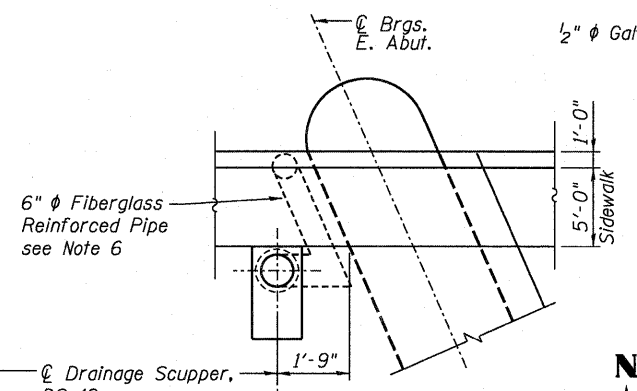


ELEVATION

PIPE SUPPORT DETAIL ON FLAT SURFACE  
see Note 6

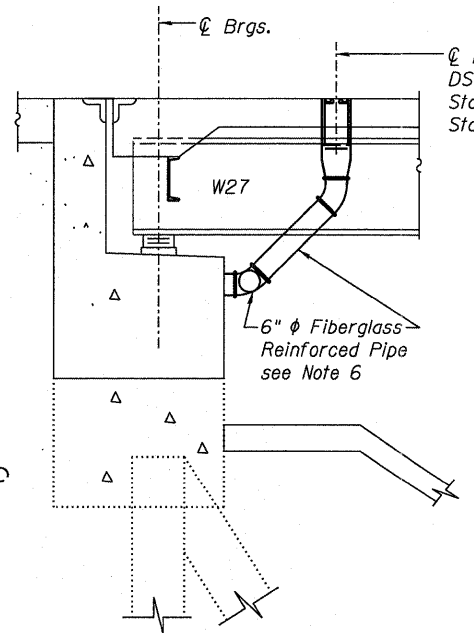


SECTION B-B  
SECTION C-C similar

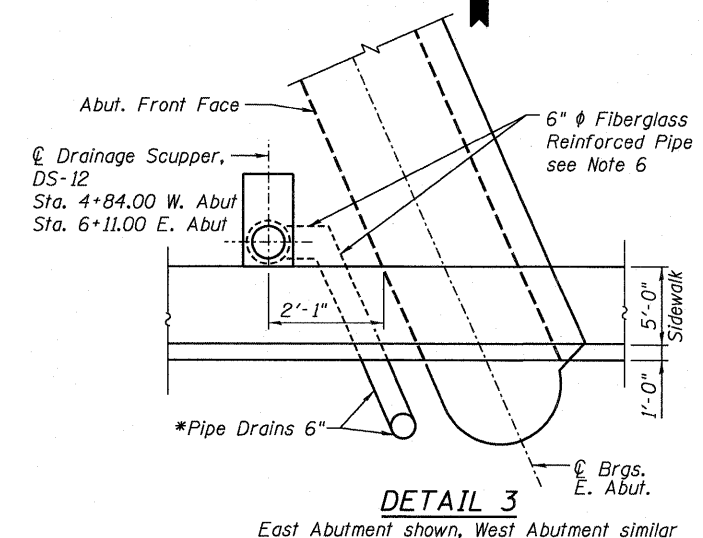


DETAIL 2

East Abutment shown, West Abutment similar



SECTION D-D  
Sidewalk not shown for clarity



DETAIL 3

East Abutment shown, West Abutment similar

Notes:

- Scuppers shall be located clear of all diaphragms.
- For drainage scupper details see sheet S29.
- Larger channel sections may be used if required for drain pipe to clear miscellaneous attachments to abutments as approved by the engineer.
- See Special Provisions for Drainage System installation and material.
- Color of Fiberglass pipe shall be green.
- Cost of fiberglass reinforced pipes and pipe drains 4" with all supports, fittings, connections and cleanouts included with Drainage System.

BILL OF MATERIALS

Item	Unit	Total
Drainage System	L. Sum	1

FILE NAME =	DESIGNED EV	REVISED -
...0162121-028-DrainagePlanDetails.dgn	DRAWN JCP	REVISED -
PLOT TIME = 5:24:59 PM	CHECKED PC	REVISED -
PLOT DATE = 6/29/2011	DATE 07 01 2011	REVISED -

**SEPSTEIN**  
800 WEST FULTON STREET  
CHICAGO, ILLINOIS 60611-1208  
TEL. 312.454.9100  
FAX 312.666.1217  
WEB www.sepsteincorp.com

**STATE OF ILLINOIS**  
**DEPARTMENT OF TRANSPORTATION**

**BRIDGE DRAINAGE PLAN AND DETAILS**  
**STRUCTURE NO. 016-2121**  
SHEET NO. S28 OF S29 SHEETS

F.A.P. RTE.	SECTION	COUNTY	TOTAL SHEETS	SHEET NO.
332	0101.1 BR-3	COOK	60	43
				CONTRACT NO. 62421
ILLINOIS FED. AID PROJECT				