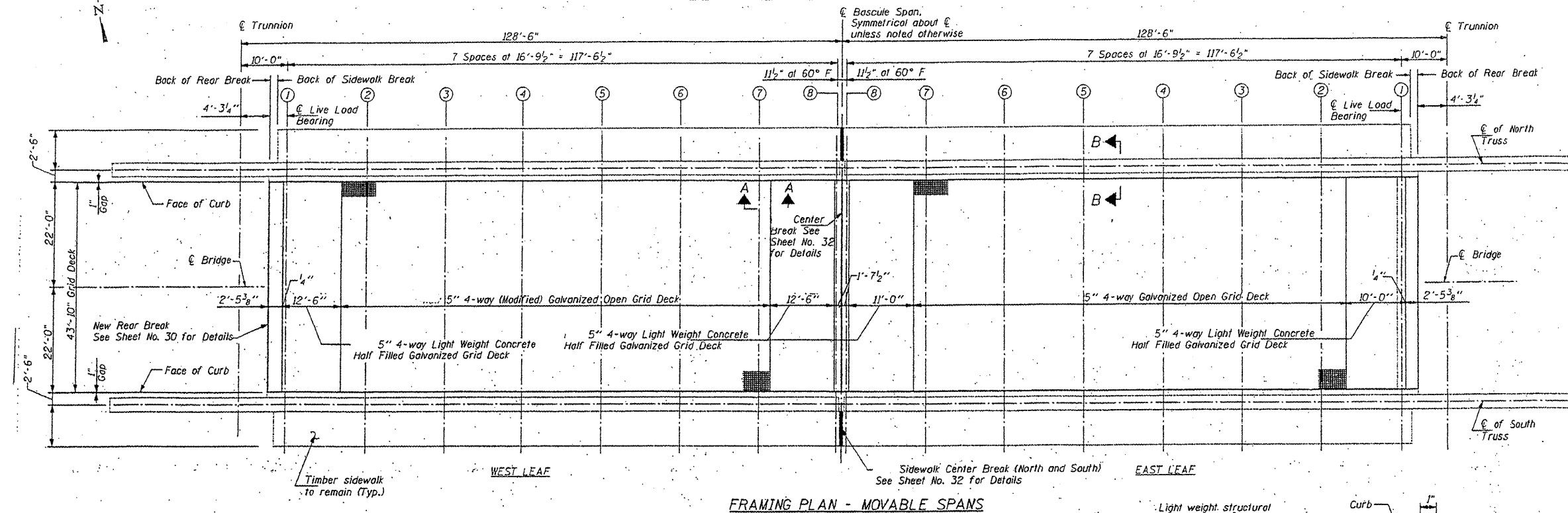
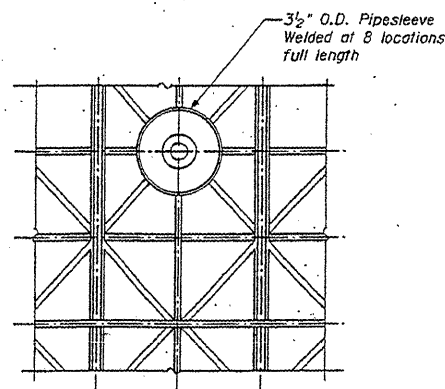


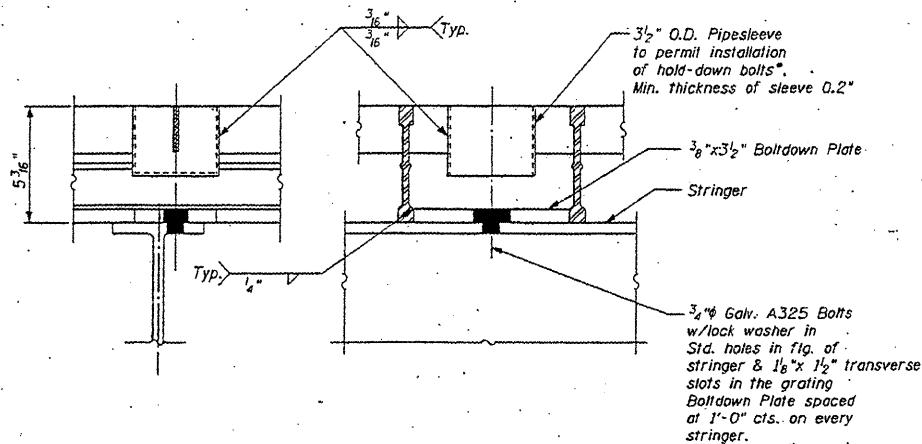
STATE OF ILLINOIS
DEPARTMENT OF TRANSPORTATION



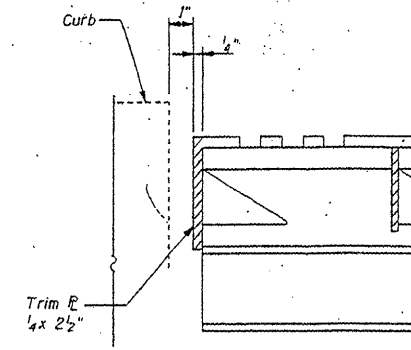
FRAMING PLAN - MOVABLE SPANS



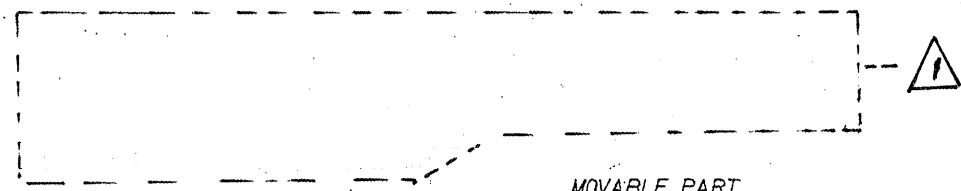
TYPICAL GRATING BOLTDOWN DETAIL



SECTION A-A



SECTION B-B



MOVABLE PART
ROADWAY GRATING PLAN & DETAILS
RUBY STREET (F.A.P. 112) OVER
DES PLAINES RIVER
WILL COUNTY
STRUCTURE NUMBER 099-9901

BILL OF MATERIALS

ITEM	UNIT	QUANTITY
STEEL GRID DECK REPAIRS	L SUM	1

FILE NAME =	USER NAME = mdyjo	DESIGNED - RDB	REVISED -
WORKSPACE = \\msdysj\work\p1en.dgn	DATE = 6/23/2011	DRAWN -	REVISED -
PLOT SCALE = 1/8\"/>			
PLOT DATE = 6/23/2011	DATE =	CHECKED -	REVISED -
		DATE =	REVISED -

STATE OF ILLINOIS
DEPARTMENT OF TRANSPORTATION

RUBY STREET OVER DES PLAINES RIVER
STEEL GRID DECK REPAIR

SCALE: SHEET NO. 1 OF 2 SHEETS STA. TO STA.

F.A.P. RTE. 112	SECTION M-BDR-1	COUNTY WILL	TOTAL SHEETS 66	SHEET NO. 40
			CONTRACT NO. 62714	
ILLINOIS FED. AID PROJECT				

REVISION: REVISED 09/12/2011 VHV